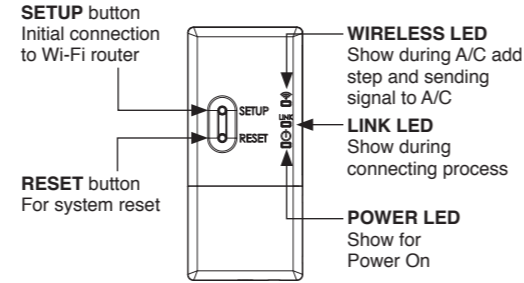


TOSHIBA INSTALLATION MANUAL

Wireless adapter

Accessory part.

No.	Part Name	RB-N101S-G	RB-N102S-G
1	Wireless adapter	1	1
2	Connection cable.	-	1
3	SCREW : M4X25	2	2
4	SCREW : M4X12	1	1



“The Wireless adapter must be installed, maintained, repaired and removed by a qualified installer or qualified service person.”

“De Draadloze adapter moet worden geïnstalleerd, onderhouden, gerepareerd en verwijderd door een vakbekwame installateur of een vakbekwame servicemonteur.”

«Η εγκατάσταση, συντήρηση, επισκευή και αφαίρεση του Ασύρματου προσαρμογέα πρέπει να γίνεται από καταρτισμένο τεχνικό εγκατάστασης ή καταρτισμένο τεχνικό σέρβις.»

“L’adattatore wireless deve essere installato, sottoposto a manutenzione, riparato e rimosso da un installatore qualificato o da personale di assistenza qualificato.”

“El adaptador inalámbrico debe ser instalado, mantenido, reparado y retirado por un instalador cualificado o una persona de manenimiento cualificada.”

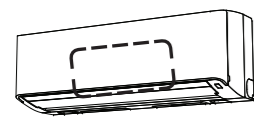
“Langattoman sovittimen asennus, huolto, korjaus ja poisto on annettava pätevän asentajan tai huoltohenkilön tehtäväksi.”

“Trådløs-adapteren må installeres, vedlikeholdes, repareres og fjernes av en kvalifisert installatør eller kvalifisert servicetekniker.”

“Der kabellose Adapter muss von einem qualifizierten Installateur oder einem qualifizierten Dienstleister installiert, gewartet, repariert oder ausgebaut werden.”

«L’adaptateur sans fil doit être installé, entretenu, réparé et retiré par un installateur qualifié ou un technicien qualifié.»

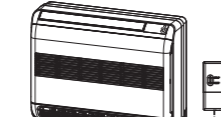
Installation position (Inside AC unit)
High - Wall type A



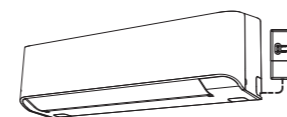
High - Wall type B



Installation position (Outside AC unit)
Console chassis

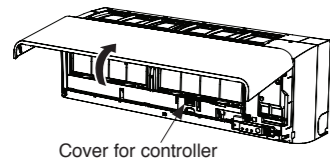


High - Wall type C

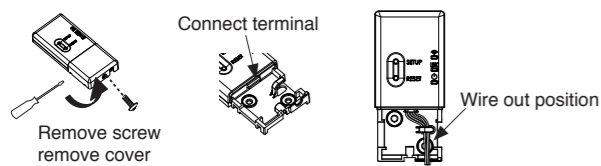


How to install Wireless adapter (Inside AC unit), High - Wall type A

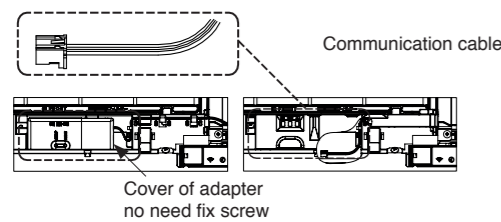
1. Open air inlet grille and cover for controller.



2. Open Wireless adapter for connect terminal



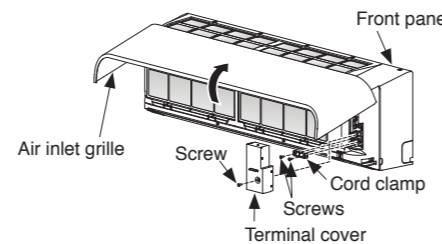
3. Open cover place the controller and connect communication cable from AC and close cover.



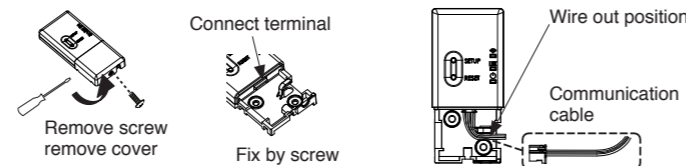
Caution : Turn off power supply before installation

High - Wall type B

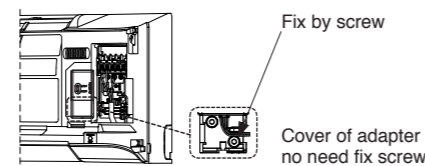
1. Open air inlet grille and terminal cover



2. Open Wireless adapter for connect terminal

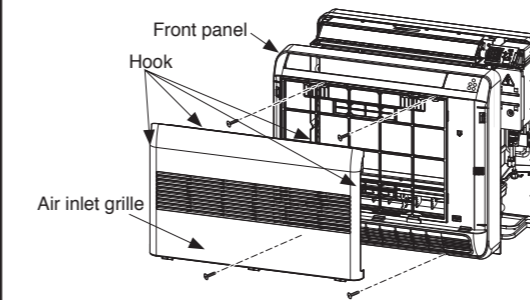


3. Place Wireless adapter to fixing position and connect communication cable from AC and close cover.

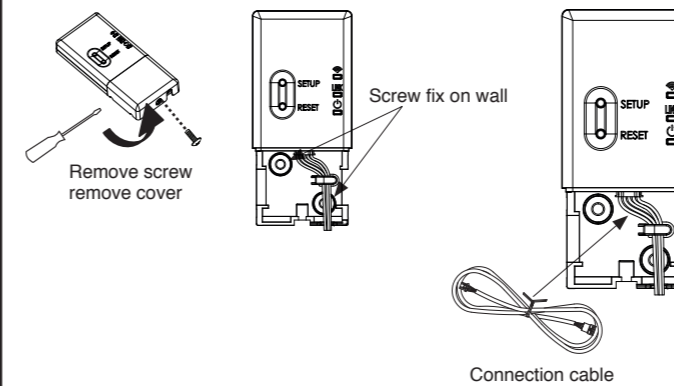


How to install for Wireless adapter Console chassis

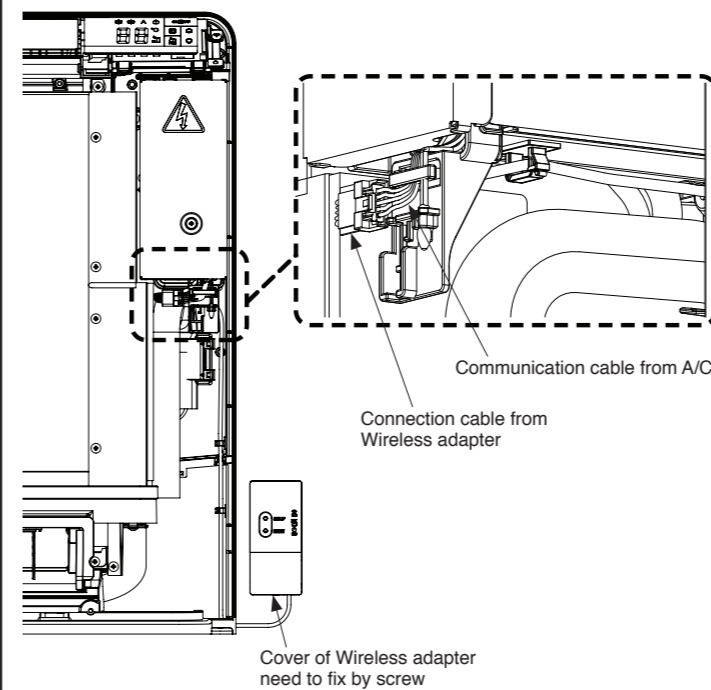
1. Remove the air inlet grille. Open the air inlet grille and remove the strap.
2. Remove the front panel (Remove 4 screws).



3. Open Wireless adapter for install on the wall and connect with Connection cable (accessory part)

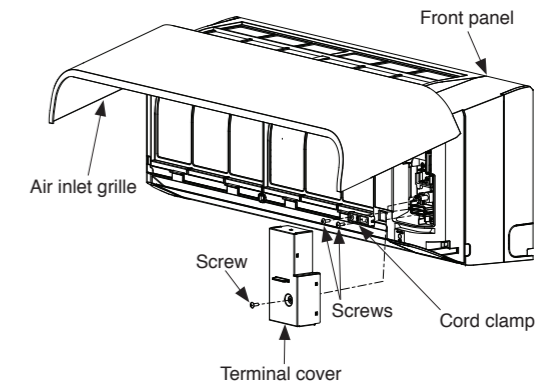


4. Insert lead wire in to unit and connect Wi-Fi terminal

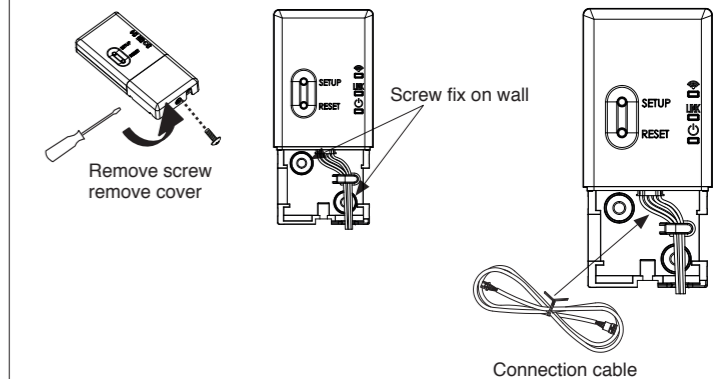


How to install for Wireless adapter High - Wall type C

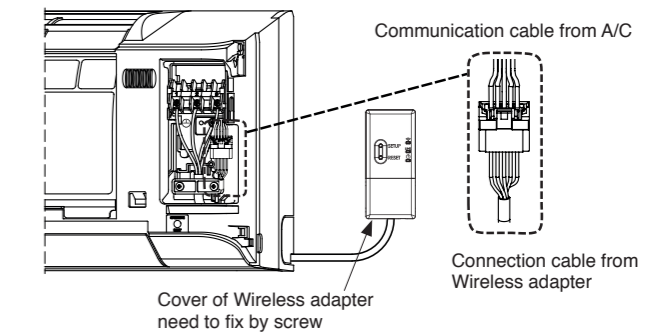
1. Open air inlet grille and terminal cover



2. Open Wireless adapter for install on the wall and connect with Connection cable (accessory part)



3. Insert lead wire in to unit and connect Communication cable.

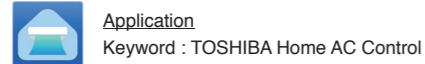


Installation note

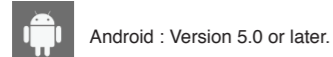
1. Do not install in a location where high humidity, high temperature and location that directly to sunlight and outside air.
2. Do not install nearly device that can produce electrical noise such as elevators, automatic door and industrial sawing machines.
3. Do not modify for any electrical part, it can cause for malfunction, electric shock or fire.
4. Install area should be covered by Wi-Fi signal from Router.
5. Wireless adapter compatible with router 2.4GHz band.

TOSHIBA Home AC Control application preparation.

1. Please visit the application store on your device to download and install TOSHIBA Home AC Control application.



Note : TOSHIBA Home AC Control application will support with



And support both phone and tablet.

2. After finished installing, Open an application and tab register for User registration.

Maximum TOSHIBA Home AC Control per user account is 10.

0.0.33.0
Toshiba Home AC Control
Log in
Register
Do not have account, please register.
Forgot Password
Demo mode / How to add AC
TOSHIBA
Copyright © 2018 Toshiba Carrier Corporation
All Rights Reserved.

1 **Tab Register**

2 **Enter Email address then tab Next**

3 **Select your country then tab Next**

4 **Enter user name and tab Next**

5 **Enter Password then tab Next**

6 **Check I agree with Term and condition then tab Next**

Register

Email address
username@usemail.com

Country
United States

User Name
SmartAC

Password

Term and condition
I agree-register me.

To complete the registration process please follow below step.

1. Please tap "Submit information".
2. Password will be sent to submitted E-mail address.
3. You need to input password without E-mail address after received it to complete registration.

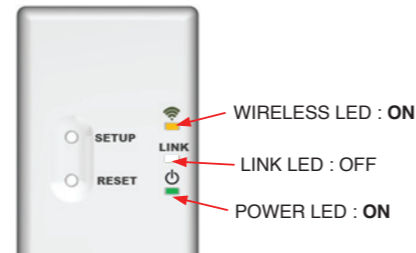
Submit information

7 **Confirm details then tab Register.**

8 **Information will be submitted to email, click link to confirm**

How to connect TOSHIBA Home AC Control.

1. Turn on power supply to Air conditioner system.
2. Check LED on the Wireless adapter.



3. Go to application and tab login for login to your user.

0.0.33.0
Toshiba Home AC Control
Log in
Register
Do not have account, please register.
Forgot Password
Demo mode / How to add AC
TOSHIBA
Copyright © 2018 Toshiba Carrier Corporation
All Rights Reserved.

1 **Tab login**

2 **Enter User Name and Password**

3 **Tab login**

4 **Login successful**

How to connect TOSHIBA Home AC Control. (Cont.)

4. To add Wireless adapter, Please tab on icon add AC (Adapter).

Home

All AC Mode Set / Room

Please put your AC in Access point mode and connect your mobile to wifi hotspot on AC.
CANCEL OK

5. Go to your device setting and connect Wi-Fi to Wireless adapter.

Note : SSID and Password of TOSHIBA Home AC Control place on side of Wireless adapter.

Wi-Fi

On

HOME-WIFI1 Connected

HOME-WIFI2 Not Connected

ACxabcDE No Internet Access

Public connect Not Connected

Public connect2 Not Connected

Public connect3 Not Connected

Model : WPE-T00AH10 SSID : XXXXXXXX
MAC : XXXXXXXXXXXX P/W : XXXXXXXX

SSID and Password of Wireless adapter

ACxabcDE
Security WPA2 PSK
Password

Show password

CANCEL CONNECT

How to connect TOSHIBA Home AC Control. (Cont.)

6. Swap application to "TOSHIBA Home AC Control" and enter Wi-Fi router SSID and Password in application then tab ACCEPT.

Note : Please wait at moment TOSHIBA Home AC Control will connect to server via your Wi-Fi router.

Configure wifi connection on AC

Step1.Put your Toshiba AC in Access Point(AP) mode. Step2.Connect your mobile to Toshiba AC wifi. Step3.Enter Home router SSID and Password. Step4.Tap on Add to add the AC

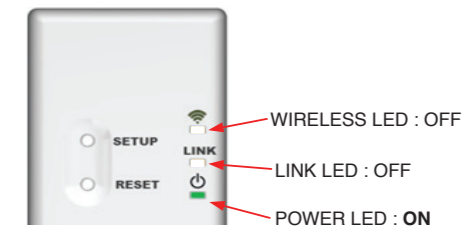
SSID Enter Wi-Fi Router SSID
Password Enter Wi-Fi Router Password

ACCEPT CANCEL

Update Firmware

Home Wi-Fi router

7. Wireless adapter will reset (all lamp will turn off and turn on again) after connect Wireless adapter successfully the lamp will automatic show only Power on lamp.



8. You will receive a message that "AC is successfully added"

Note : Reconnect your device to internet (via cellular or Wi-Fi) before tab OK. You will be navigate to the home page with the new AC added.

Userinformation

Configure wifi connection on AC

Step1.Put your Toshiba AC in Access Point(AP) mode. Step2.Connect your mobile to Toshiba AC wifi. Step3.Enter Home router SSID and Password. Step4.Tap on Add to add the AC

AC added successfully. You can control your AC from mobile now onwards.

CANCEL OK

Update Firmware

Version

9. For add more Wireless adapter please repeat step no. 5 to 9.

Note1 : For user manual please select link from application

Home

Settings

Toshiba AC special feature

Wireless adapter manual

Help

Note2 : In case of cannot connect please check error by table below.

Error detail	Adapter LED		
	Wi-Fi	LINK	Power
Adapter ⇒ Wi-Fi router communication error	Flash 5Hz	OFF	Flash 5Hz
Adapter ⇒ Cloud communication error	Flash 5Hz	OFF	ON
Adapter ⇒ FCU communication error	Flash 5Hz	Flash 5Hz	ON
MAC address or SSID or Password or GUID no setting	Flash 5Hz	Flash 5Hz	Flash 5Hz