

INTELLIGENT SERVER

Model:
BMS-LSV6E

- Thank you very much for purchasing this TOSHIBA INTELLIGENT SERVER.
- Please read this manual carefully beforehand for proper installation of the SERVER.

CONTENTS

Precautions for Safety	1
Before Installation	1
Intelligent Server Specifications	2
1 CF (Compact Flash) card Installation	3
2 Setting	3
3 Installation.....	4
4 Cable Connection	6

Precautions for Safety

- Read these "Precautions for Safety" carefully before installation.
- The precautions described below include important items regarding safety. Observe them without fail.
- After the installation work, perform a trial operation to check for any problem.

⚠ CAUTION

- **Ask an authorized dealer or qualified installation professional to install or reinstall the software.**
- **Perform installation work properly according to this Installation Manual.**
- **Do not modify the unit.**
This may cause malfunction.
- **Perform wiring correctly in accordance with specified the current capacity.**
Failure to do so may result in short-circuiting, overheating, or fire.
- **Connect the specified cables for the terminals securely to prevent external forces from affecting them.**
Failure to do so may result in disconnection, overheating, or fire.
- **When providing services, perform the task after you confirm that you turned off the main power supply, removed the power cord from the AC inlet, and the power was off.**

Before Installation

NOTE

Prepare the following software (sold separately) before using the server.

Available software

Intelligent Server Software BMS-STCC□□E (□□ is 06 or higher)
BACnet Software BMS-STBN□□E (□□ is 06 or higher)

Check the following package contents.

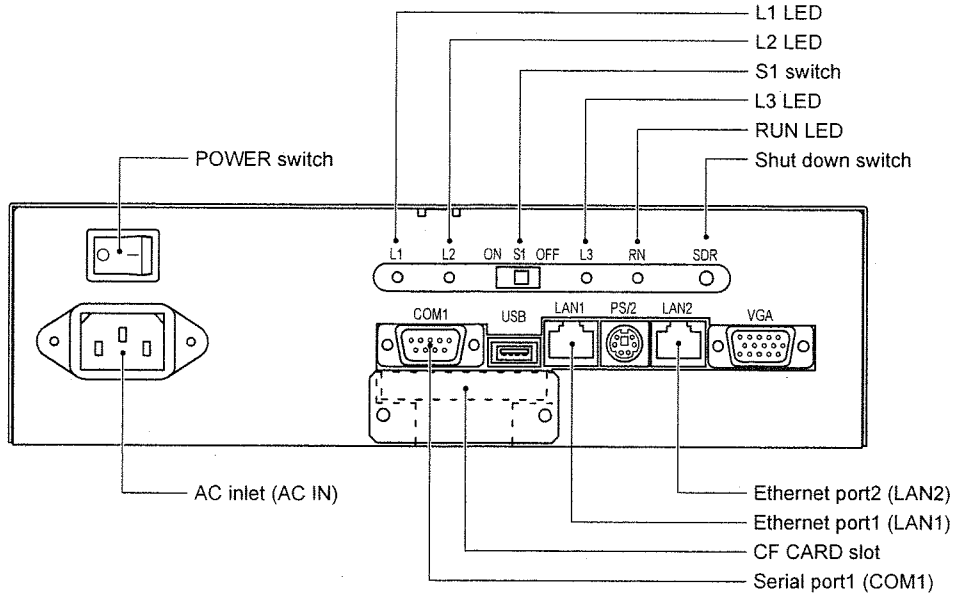
No.	Item	Quantity	Remarks
1	INTELLIGENT SERVER	1	
2	Installation Manual	1	
3	Cable	1	RS-485 cable for Intelligent Server
4	Closed end wire joint	2	

Use the following wiring materials to connect signal lines. (Procured on site)

No.	Signal line	Description	
1	For RS-485	Type	2-core shield wire
		Wire size	1.25 mm ² , 500 m max. (total length)
		Length	
2	For ethernet	Type	LAN cable (higher than Category 5, UTP) The appropriate use of straight cable/cross cable should be done depending on your system used.)
		Length	100 m max

Intelligent Server Specifications

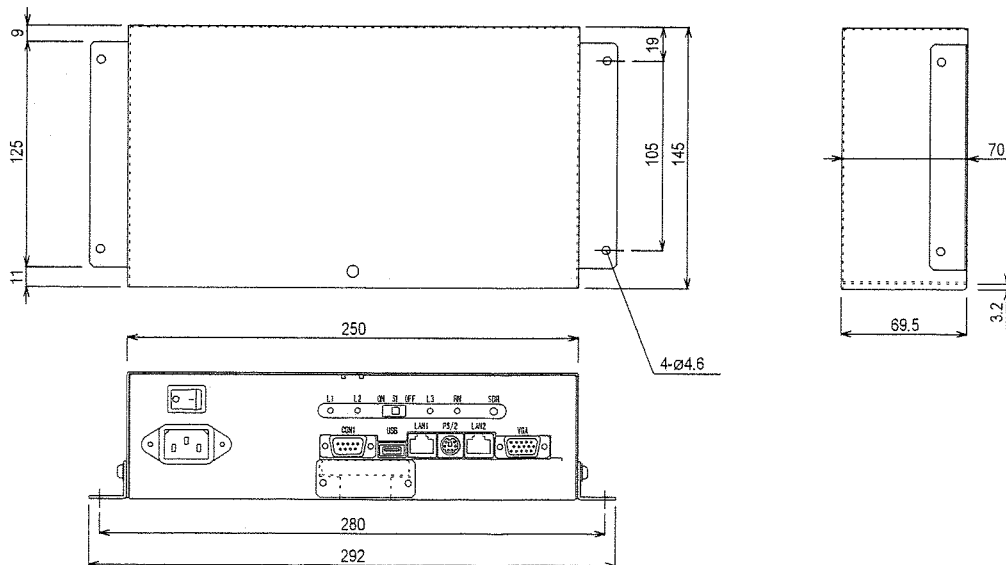
Names of each parts



Specifications

Power Supply	220-240 VAC 50/60 Hz
Current	0.2 A
Operating temperature/humidity	0 to 40 °C, 10 to 90 %RH (no condensation)
Storage temperature	-20 to 60 °C
Dimension	250 (W) × 70 (H) × 145 (D) mm (292 (W) including the fixing metal plate)
Mass	1.5 kg
COM port	RS-485 (9-pin, D-SUB)
LAN	10BASE-T/100BASE-TX

External view

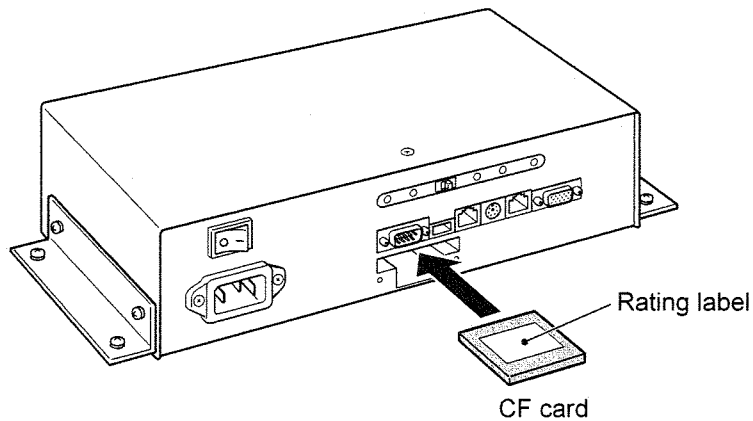


1 CF (Compact Flash) card Installation

REQUIREMENT

- Do not insert or remove the CF (Compact Flash) card during power on of the Intelligent Server. Doing so may cause a failure.
- If the CF (Compact Flash) card is not inserted properly, the Intelligent Server will not work.

Insert the CF card (with the software sold separately)
Push the CF card fully into the slot.



- (1) Remove two screws and the cover plate and the CF card slot appears.
- (2) Insert the CF card with its rating label attached surface upward.
Confirm the CF card is surely pushed into the slot.

2 Setting

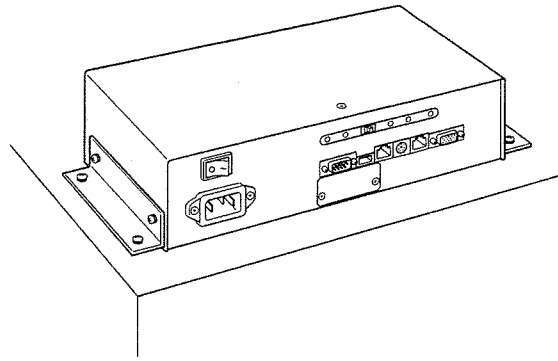
The setting is not required.
S1 is set to "OFF".

3 Installation

Intelligent Server Installation Method and Orientation

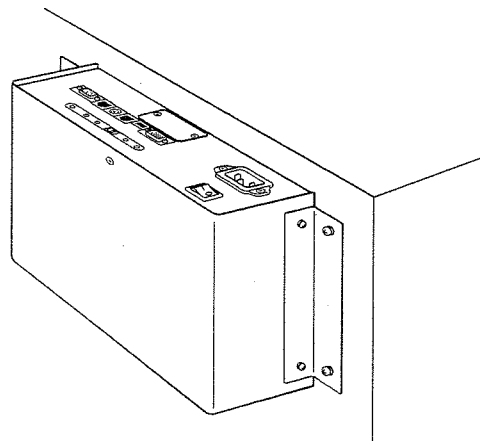
There are 2 types of setting methods and directions available for the server. Use the fixing metal plates attached when installing the server.

(1) Surface mount

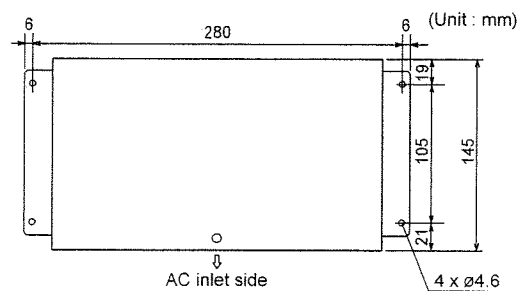


(2) Wall mount

Mount the server with the front face upward.



Fixing screw hole positions



REQUIREMENT

Do not install the unit in any of the following places.

- Humid or wet place
- Dusty place
- Place exposed to direct sunlight
- Place where there is a TV set or radio within one meter
- Place exposed to rain (outdoors, under eaves, etc.)

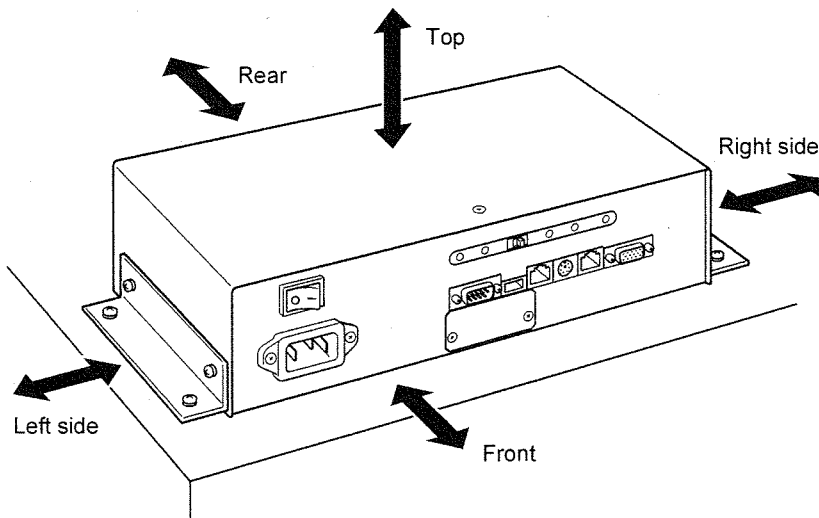
3 Installation (continued)

Installation Space and Maintenance Space

The installation space and the maintenance space must be determined before installation. These spaces depend on installation method.

Installation Space

The values in the following table are required for installation space in each direction. Select an installation place that allows good air ventilation.



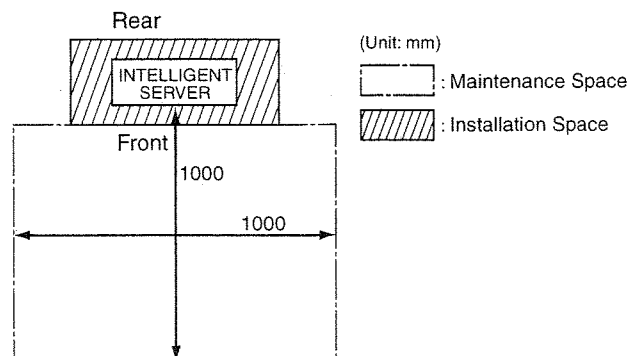
(unit: mm)

Item	Direction	Surface mount	Wall mount – type A	Wall mount – type B
Installation space	Top	100	50	100
	Bottom	0	0	0
	Front	100	100	100
	Rear	Location adjacent to wall permitted (*1)		
	Right side	50	100	100
	Left side	50	100	100

(*1) "Location adjacent to wall permitted" means that the unit can be installed close to the wall on that side.

Maintenance Space

Maintenance space is required for installation and maintenance of the unit.



4 Cable Connection

AC Power Cable Connection

REQUIREMENT

Power cable is not supplied for the Intelligent Server. Insert a three core power cord applicable to the standard of the country you use. Be sure to connect the earth line of the power cable securely.

- Insert an AC power cable into the AC inlet of the unit.
- Connect the power cord plug to an outlet (220 V - 240 V, AC).

REQUIREMENT

- Disconnect the appliance from the main power supply. Connect this appliance to the main power supply by a circuit breaker or a switch with a contact separation of at least 3mm.
- Make sure that the outlet is earthed.

Ethernet wire Connection

- Insert the Ethernet wire into the Ethernet port1 (LAN1).

Serial Port (RS-485) Connection

- Confirm that the power supply for the intelligent server is shut off.
- Connect RS-485 cable (packaged with the intelligent server) to Serial port 1 (COM1).
Fix the cable to the Intelligent Server by the fixing screws (two locations on both sides) attached to the connector on RS-485 cable.

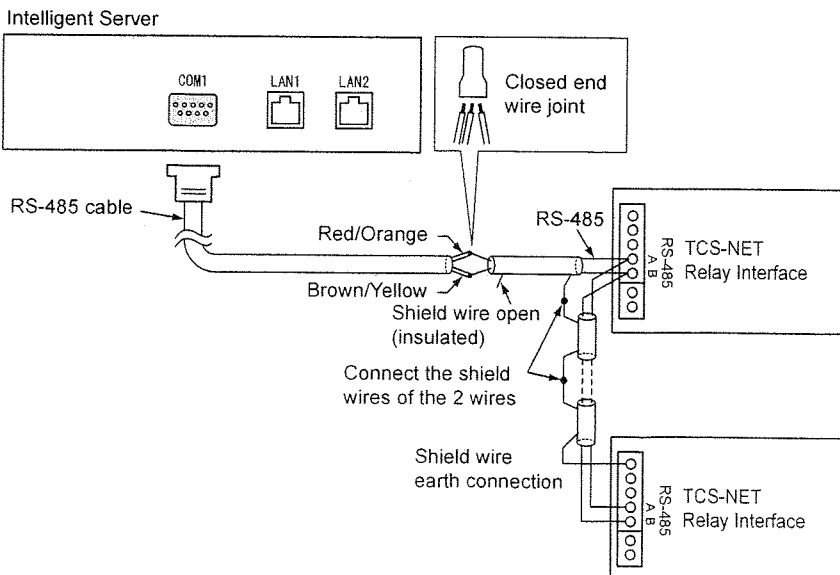
Connection to the TCS-NET Relay Interface

- TxRx(+) Connection

Connect three of the four wires of RS-485 wire (red wire/orange wire/wire from the terminal board RS-485 A of the TCS-NET Relay Interface) together with the closed end wire joint. The red and orange wires can be connected directly to the terminal board RS-485 A of the Relay Interface.

- TxRx(-) Connection

Connect three of the four wires of RS-485 wire (brown wire/yellow wire/wire from the terminal board RS-485 B of the TCS-NET Relay Interface) together with the closed end wire joint. The brown and yellow wires can be connected directly to the terminal board RS-485 B of the Relay Interface.



NOTE

The RS-485 signal wire has polarity. If connected with incorrect polarity, the unit will not work. Do not connect or disconnect the wire during control operation. Doing so may cause a malfunction.



... Trademarks:

- BACnet is a registered trademark of ASHRAE(American Society of Heating, Refrigerating and Air-Conditioning Engineers, Inc.).
- Compact Flash and CF are trademarks of SanDisk Corporation.
- Ethernet is a registered trademark of Xerox Corporation.

