
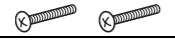




Second remote controller

Model: HWS-AMS11E

Accessory Parts

No.	Part Name	Quantity
1	Remote controller 	1
2	Screws - M4 x 20 	2
3	Wood screws 	2
4	Installation manual 	1

CAUTION

For the details, refer to the installation manual of hydro unit.

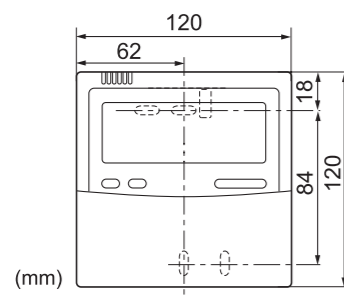
Installation Requirements

Installation place

- Install the remote controller 1 to 1.5 m above floor level(average room temperature area).
- Do not install the remote controller in a place exposed to direct sunlight or outside air (such as near a window or other openings).
- Do not install the remote controller in a place with poor ventilation.
- Do not install the remote controller in a freezing or refrigerated area - the remote controller is not water or splash-proof.
- Install the remote controller in a vertical position.

Installation dimension

Be sure to follow the installation dimension as shown in the figure when you install the remote controller on the wall.

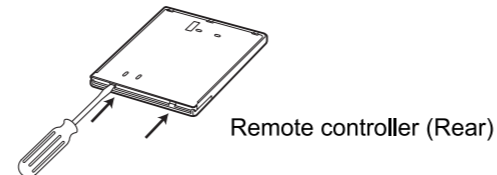


Intallation

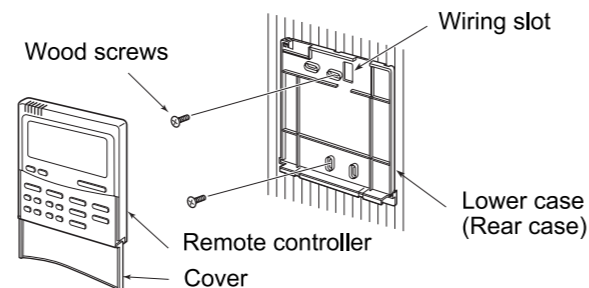
NOTE

- The remote controller wire should not be bundled with other wires (mains, etc.), or installed with other wires in the same conduit, as malfunction may result.
- Install the remote controller away from sources of electrical interference and electromagnetic fields.
- If electrical interference is unavoidable, countermeasures such as appropriate filtering should be employed.

1. To remove the remote controller's lower case (rear case), insert the tip of a slotted screwdriver or other prong into the two openings at the bottom of the remote controller.



2. Fix the rear case with wood screws (2 pcs.). Do not over tighten them, as it may damage the rear case.

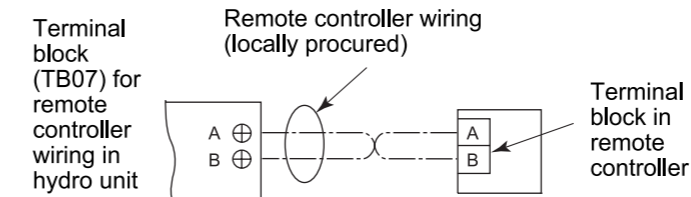


3. Connect the wires from the hydro unit to the remote controller terminal block.(Refer to "Wiring".)
Connect the wires of the remote controller following the terminal numbering convention of the indoor unit to prevent miswiring. (Do not apply AC 230V mains voltage to the remote controller as it will be damaged).

Wiring

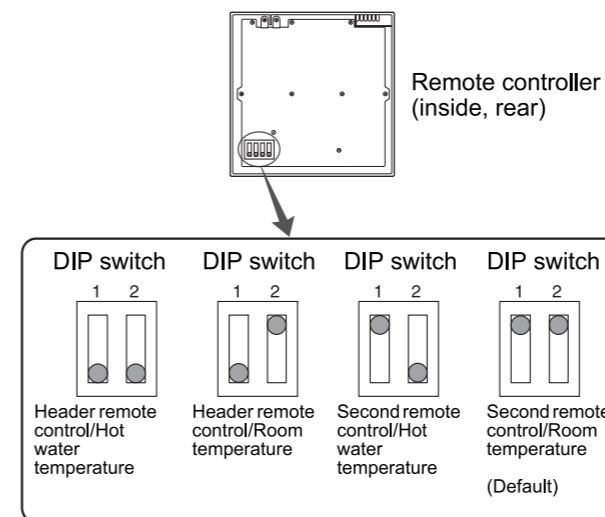
- Use 0.5 to 2 mm² wire.
- Do not use a closed end wire joint.

Connection diagram



- Terminals A and B are non-polar.

Setting

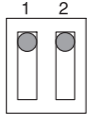
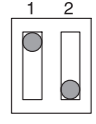


For a dual remote controller system, install the remote controllers in the following way.

1. Set one of remote controllers as the header remote controller. (Remote control of hydro unit is preset as Header (DIP SW1 = OFF).)
2. Set the DIP switch on all other remote controller P.C. boards to Second. (Optional remote control is preset as Second (DIP SW1 = ON).)
 - Set DIP SW2 to ON (Room temperature) on the remote control which you will control the room temperature with. DIP SW2 of optional remote control is preset to ON (Room temperature).
Either one of header or second remote control must be set as room temperature control.
 - To control room temperature instead of water temperature with this remote control, set function code "40" of hydro unit to "1".

Cautions for use

- This second remote controller can switch between room temperature control and water temperature control.

Room temperature control	Water temperature control
Turn on the DIP switch 2 of remote controller 	Turn off the DIP switch 2 of remote controller 
Change the setting of FC 40 on hydro unit. FC40=1	Change the setting of FC 40 on hydro unit. FC40=0

* Refer to the installation manual of hydro unit for setting change of FC.

- This second remote controller does not have schedule timer function. Schedule timer function must be operated with header remote controller.
- The room temperature setting on second remote controller is only intended as an approximate guide. The temperature setting may slightly differ from the actual room temperature depending on the installation condition. The difference between the temperatures can be correct with FC02 and 03 on the remote controller.
- * Refer to the installation manual of hydro unit for setting change of FC.