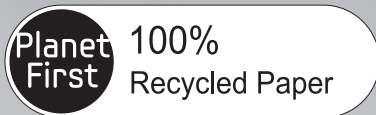




OnOff Controller
MCM-A202DN

Air Conditioner installation manual



This manual is made with 100% recycled paper.



imagine the possibilities

Thank you for purchasing this Samsung product.

EN DB68-03721A(1)



Safety Precautions

This installation manual indicates you to install the OnOff controller which is connected to the indoor unit. For installation of other optional accessories, see an appropriate installation manual.



WARNING

- ◆ Read carefully this installation manual before installation and check whether the OnOff controller is installed correctly after installation.
- ◆ Do not attempt to install or repair this OnOff controller by yourself.
- ◆ This OnOff controller contains no user-serviceable parts. Always consult authorized service personnel for repairs.
- ◆ When moving, consult authorized service personnel for disconnection and installation of the OnOff controller.
- ◆ Ensure that the wall is strong enough to support the weight of the OnOff controller.
- ◆ The OnOff controller must be installed according to the national electrical rules by an installation specialist.
- ◆ When wiring, connect the supplied wires firmly and fasten them securely so that external force cannot be applied to the terminal connection area.
- ◆ Position all the wires correctly so that the cover of the electric equipment section doesn't float. Then securely fasten the cover.
- ◆ Before handling or adjusting the power loading terminal, switch off the power supply.
- ◆ When you want to disuse the OnOff controller, consult authorized installation center.



CAUTION

- ◆ Do not use inflammable gases near the OnOff controller.
- ◆ Do not install the OnOff controller in a location where it will come into contact with the combustible gases, machine oil, sulphide gas, etc.
- ◆ Avoid a location where acid/alkali solution or special spray is used.
- ◆ Choose a location that is dry and sunny, but not exposed to direct sunlight. Available temperature is between 0°C(32°F) and 39°C(102°F).
- ◆ Do not spill water into the OnOff controller.
- ◆ Do not give tensile strength to the cable to avoid disconnection.
- ◆ Do not press buttons with a pointed thing.
- ◆ Do not connect the power cable to the control terminal.
- ◆ If the OnOff controller is installed in a hospital or other special places, it should not affect other electronic devices.
- ◆ Do not install the product in an area where mineral oil is kept or arsenic acid of oil and steam frequently exist such as a kitchen.
- ◆ Do not install the product in an area where corrosive gases such as ammonia gas or sulfurous acid gas are generated e.g. an exhaust pipe of a toilet or an outlet of ventilating opening.
- ◆ Do not install the product in an area where a machine that generates electromagnetic waves is placed.
- ◆ Do not install the product in an area where combustible gas leakage is expected or volatile flammable material such as thinner and gasoline are handled.
- ◆ Do not install the product in an area where carbon textile or flammable dust float in the air.
- ◆ Do not install the product in an area where corrosion is expected such as shoreline and hot spring.

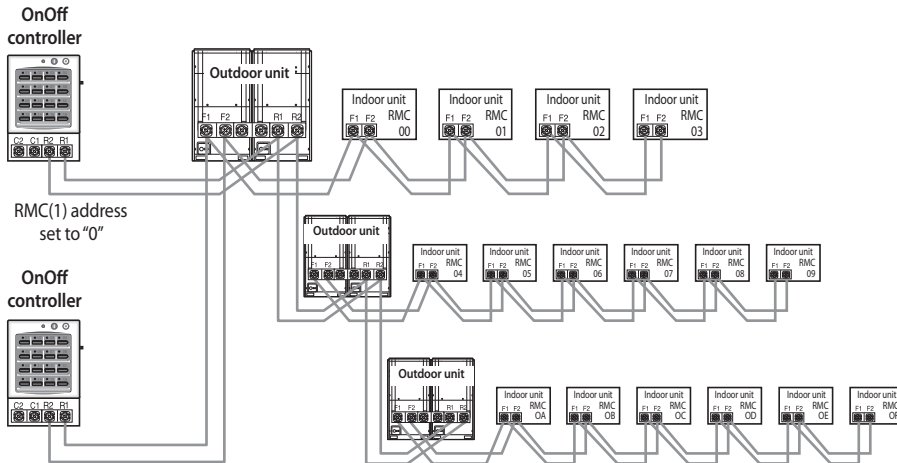
OnOff Controller Installation

Accessories

OnOff Controller (1)	Cable-tie (2)	Cable Clamp (5)	M4x16 Tapped Screw (7)	User's manual (1)	Installation manual (1)

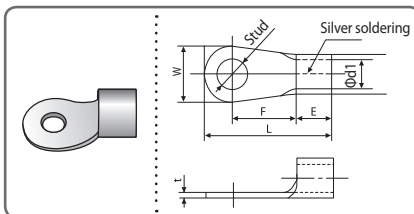
Wiring Diagram

Number of indoor unit that connect to the same OnOff controller is up to 128. It can be connected to the communication terminal of the indoor unit.



Selecting pressure connection terminal

- ◆ Based on the normal dimension of the connecting power cable, select the pressure connection terminal.
- ◆ Insulate the connection area between pressure connection terminal and the connecting power cable with sheath.



Wire range that can be connectable	Rated Dimension		Stud Dimension		Basic dimension [mm (inch)]					
	mm ² (inch ²)	mm ² (inch ²)	mm (inch)	t	Ød1	E	F	W	L	
22~16	0.25 ~ 1.65 (0.0003 ~ 0.0025)	1.5 (0.0023)	3 (0.1181)	0.7 (0.0275)	3.8 (0.1496)	4.5 (0.1771)	6.3 (0.2480)	5.5 (0.2165)	19.05 (0.75)	

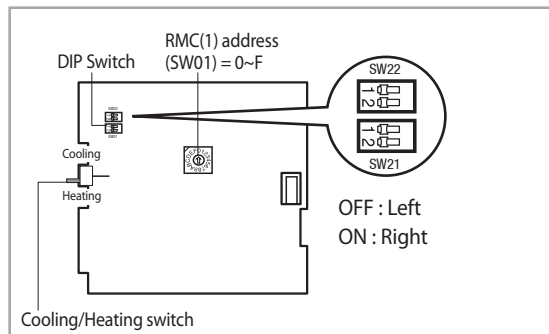
OnOff Controller Installation (Continued)

Setting up the installation option of Indoor Unit and OnOff Controller

In Case of Installing OnOff Controller Only

- 1 Set the Indoor Unit installation option SEG5 to "1".
It means use the OnOff controller.
- 2 Set the RMC(1) and RMC(2) address of Indoor Unit.
Example) RMC(1) = SEG11 = 0~F, RMC(2) = SEG12 = 0~F
However, when RMC(1) = F, RMC(2) can be set between 0~E

OnOff Controller



- ◆ You must reset the OnOff controller to apply the changed RMC(1) address.

Indoor Unit option code system

SEG1	SEG2	SEG3	SEG4	SEG5	SEG6	SEG7	SEG8	SEG9	SEG10	SEG11	SEG12
0	X	X	X	X	X	1	X	X	X	X	X
SEG13	SEG14	SEG15	SEG16	SEG17	SEG18	SEG19	SEG20	SEG21	SEG22	SEG23	SEG24
2	X	X	X	X	X	3	X	X	X	X	X

SEG2	= A : Address option
X	= 2 : Installation option

SEG5	= 0 : not use the OnOff controller	- When setting the installation option
X	= 1 : use the OnOff controller	

SEG11	SEG12	= RMC(1), RMC(2) address (00~FE)	SEG9	- When setting the address option
X	X		X	= 1 : RMC address setting

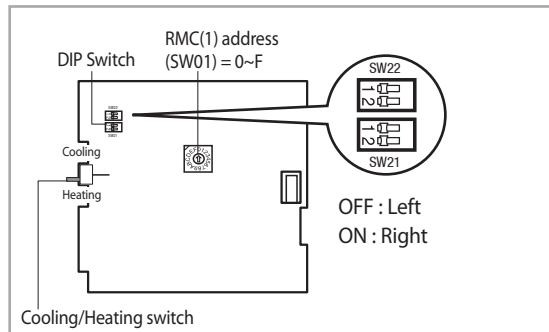
- Notes*
- ◆ Detailed method about Installation option establishment refers to Indoor Unit manual.
 - ◆ Installation option must set the SEG2 value as "2" in Indoor Unit option code
 - ◆ Address option must set the SEG2 value as "A" in Indoor Unit option code

OnOff Controller Installation (Continued)

■ Different Levels of the OnOff Controller

- ◆ Adjust the DIP switch in the OnOff controller PCB and set a level. This will enable the user to control the indoor units connected to the OnOff controller according to the set level.

Switch No.	SW22		Meaning
	1	2	
LEVEL 0	OFF	OFF	Among the various controllers, such as the OnOff controller, wired/wireless controller and the indoor unit button, the air conditioner will only be able to operate with the most recently used controller
LEVEL 1	ON	OFF	The wired/wireless controller can only be used when the OnOff controller is powered on.
LEVEL 2	OFF	ON	The air conditioner can only be operated with the OnOff controller.



- Note**
- ◆ The LEVEL of the OnOff controller is '0' when all the switches are in the 'OFF' position.
 - ◆ Changed LEVEL will be applied immediately when you turn on or off the operation with an OnOff controller.

- ※ Level application and authorization for controlling from OnOff controller can be restricted depending on the Level setting from the upper controller with priority.

Ex) OnOff controller cannot control the indoor units if the control level set from the DMS is higher than the level of OnOff controller.

Setting the option for OnOff controller

- 1 You can adjust the DIP switch (SW21) on PCB of the OnOff controller to set the option and control the OnOff controller according to the selected option.

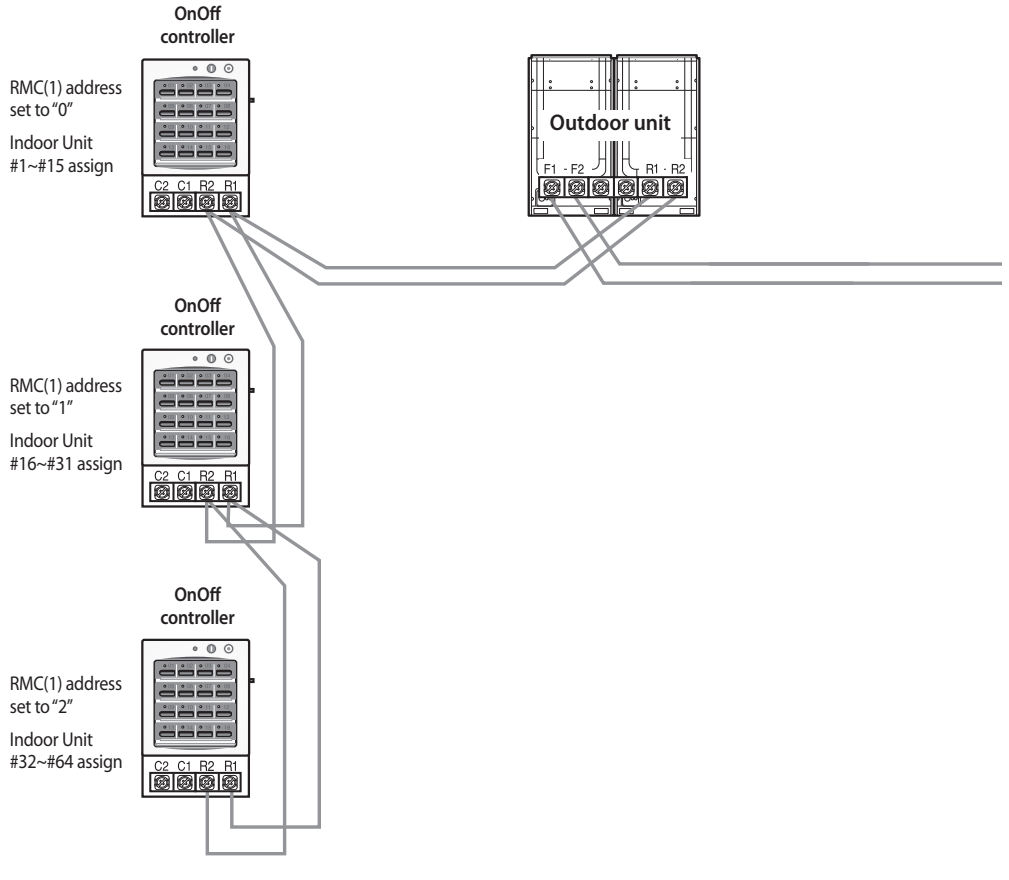
SW21		Contents
1	2	
ON	-	Disable OnOff controller usage
OFF	-	Enable OnOff controller usage

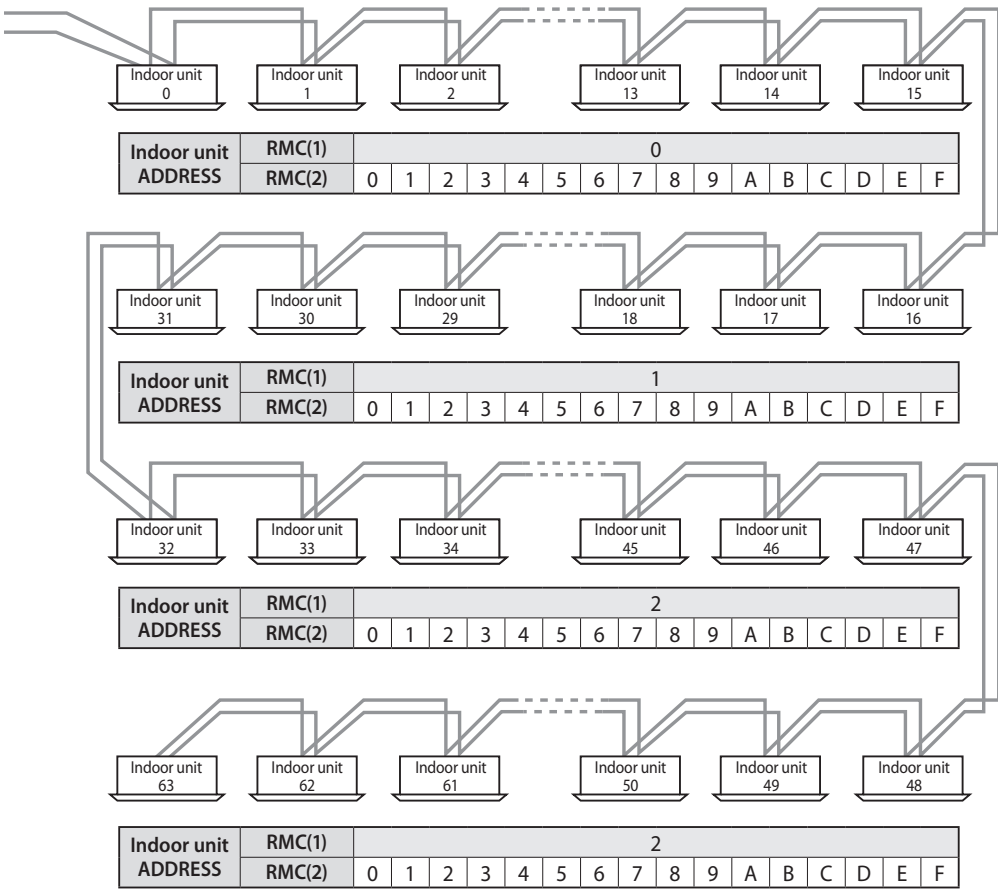
- ◆ All the DIP switches of the OnOff controller is set to OFF as factory default setting.
- ◆ SW21 setting of the DIP switch will be applied instantly.
- ◆ Option setting for communication can be executed regardless of the Level setting.

OnOff Controller Installation (Continued)

Control layer connection

To install 128 units to 16 or less number of outdoor units.
(Group control of units)





OnOff Controller Installation (Continued)

Set layer connection

***To install 80 units for 1 outdoor unit
(Group control of units)***

