

RBC-SMTI Digital Inverter Timer Interface

Description and Contents

The Timer lead will allow the Air conditioner or group of air conditioners connected to the RBC-AMT21E to be enabled from an external contact closure.

Contents:

Lead with Connector

Installation and Operating Instructions

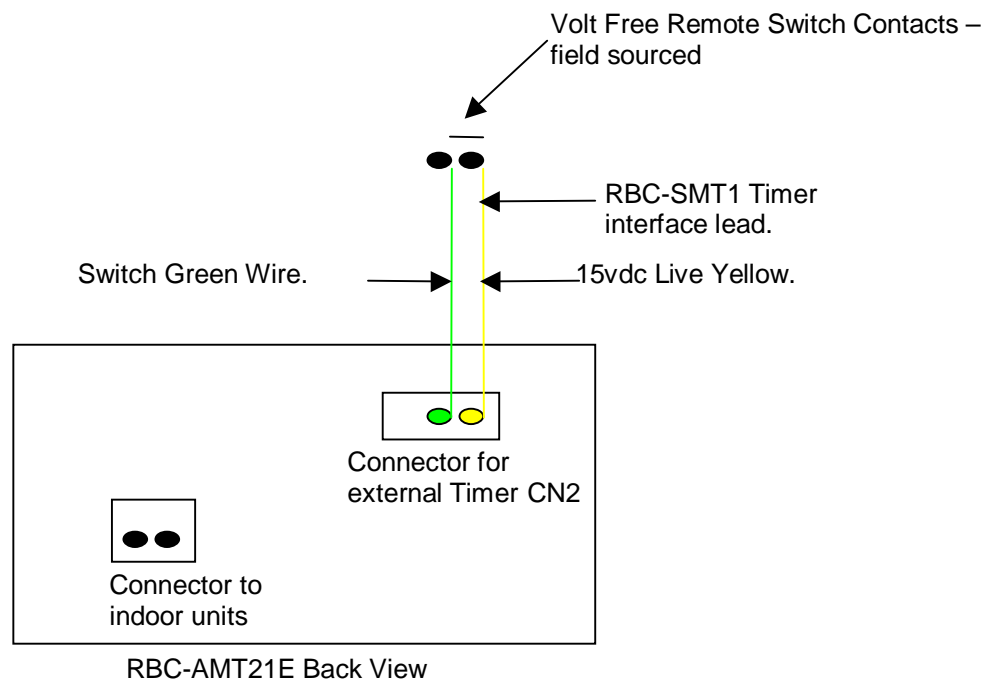
Installation

The interface lead must be used with the RBC-AMT21E remote controller.

The lead is to be plugged into the back of the remote controller to CN2 this is where the weekly timer normally connects.

The two wires are then connected to a contact on closure the unit will start on opening the unit will stop.

The 2-core screened cable which is to be 0.25mm² CSA and no longer than 10m this is due to possible voltage drops. For more information on wiring, please refer to the diagram below.



Operation

The indoor unit or group will start when the connection is made between the Yellow and Green cables.

For Technical Information Contact

TOSHIBA Air Conditioning

Tel: 0870 8430333