

VRF – DI/SDI CK2 MMF-AP***6H-E conversion kit instructions



Important

Please read these instructions fully before you attempt to carry-out Toshiba's CK2 conversion
Mains power must **NOT** be applied to your new indoor unit before the steps below are complete.

Contents of this pack

* Confirm components listed below are in the pack before commencing work *

- 1 x Replacement Three wire adapter (1, 2, 3 power cable)
- 3 x Crimp connector
- 5 x Cable ties
- 1 x Replacement Printed Circuit Board
- 1 x Replacement 3 Pole Terminal bed
- 1 x Replacement wiring diagram
- 1 x Instruction Sticker
- 1 x Installation Instruction (4 page in total)

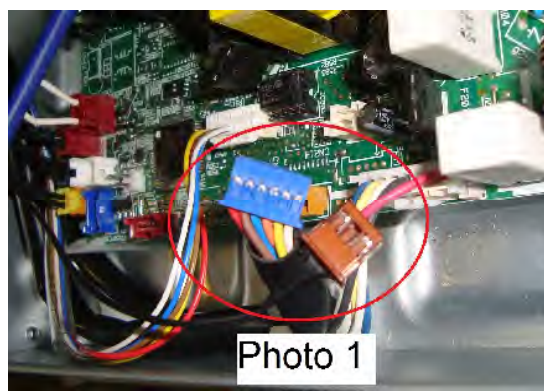
Method and step by step procedure:

1. Loosen retaining screws that secure return air facia and remove panel with filter attached.
2. Loosen retaining screws that secure upper facia and remove panel by lifting up and out.
3. Remove retaining screws for electrical can covers to access electrics - PCB etc.
4. Remove Earth screw from electrical can chassis and refit to hole adjacent [Photo 2]
5. Remove [permanently] Live & Neutral (L&N) 2 pole terminal bed and cabling to PCB (CN67).
6. Remove [permanently] U1 & U2 cables only from terminal bed to PCB (CN40).
7. Remove all plugs from original PCB, paying attention to socket reference (All are colour coded).
8. Carefully remove [permanently] original PCB taking care not to damage locating lugs.
9. Remove [permanently] Reactor & 2 securing screws (CN01) [Photo 2], along with PCB ground tab (CN22).
10. Install new PCB supplied in kit.
11. Install new 3 pole terminal strip supplied in kit and secure with original screws [Photo 3].
12. Install new 1, 2, 3 power cable supplied in kit (white plug/black socket – (CN67) [Photo 3].
 - terminal 1 – LIVE [Brown wire]
 - terminal 2 – NEUTRAL [Blue wire]
 - terminal 3 – SERIAL/COMMUNICATION [Red wire]
13. Crimp connectors onto 1, 2, 3 power cable, trim cable length if necessary [Photo 3].
14. Refit fan motor plug to new PCB (white – CN210).
15. Refit louver motor plug to new PCB (white – CN510).
16. Refit A&B cable plug to new PCB (blue - CN41).
17. Refit float-switch loop wire plug to new PCB (red - CN34).
18. Refit TA sensor plug to new PCB (yellow - CN104).

19. Refit TCj sensor plug to new PCB (red - CN102).
20. Refit TC2 sensor plug to new PCB (black - CN101).
21. Remove upper support & panels right of evaporator [Photo 3]
22. Remove TC2 sensor copper bonnet from pocket/location [Photo 4]
23. Relocate TC2 sensor to end-ring two thirds of way through evaporator coil and secure with cable ties [Photo 5]
24. Use self adhesive insulation pad supplied in MMF installation pack to insulate sensor & further secure sensor and insulation with 2 cable ties [Photo 6]
25. Replace original wiring diagram with new supplied in kit.
26. Tidy wiring loom with cable tie fasteners.
27. Place 'Note' sticker on outer side of electrical can cover.
28. Reassemble unit, reversing steps 1, 2 & 3.

Note: [Photo 1]

- **PMV and cable now redundant, do not remove from machine – secure away from PCB (original PCB white socket – CN082)**
- **TC1 sensor and cable now redundant, do not remove from machine– secure away from PCB (original PCB brown socket – CN100)**



Controller settings - Part 1

It is necessary to set the indoor units capacity via the RBC-AMT32E / RBC-AMS41E at commission stage. You **MUST** update additional setting, those steps are explained in Part 2. **Failure to follow these steps will void future warranties granted by Toshiba Air Conditioning.**

1. Press **TEST**, **SET** & **CL** together for 4 seconds, display will change showing Code '10'. Set data in code 10 with Time **UP/DOWN** arrows according to table below and press **SET**.

Code	UNIT	MMF-AP***6H-E
10	VALUE	0007

2. Press Temperature **UP** arrow changing Code '10' to Code '11'. Set data in code 11 with Time **UP/DOWN** arrows according to table below and press **SET**.

Code 11	Outdoor UNIT	SM404ATP-E	SM564ATP-E	SM804ATP-E	SM1104ATP-E	SM1404ATP-E	SM1603AT-E	SM2244AT8-E	SM2804AT8-E
		SP404ATP-E	SP564ATP-E	SP804ATP-E	SP1104AT-E	SP1404AT-E			
					SP1104AT8-E	SP1404AT8-E	SP1604AT8-E		
	Single indoor VALUE	0006	0009	0012	0015	0017	0018	-	-
	Twin indoor VALUES	-	-	-	0009	0012	0012	0015	0017

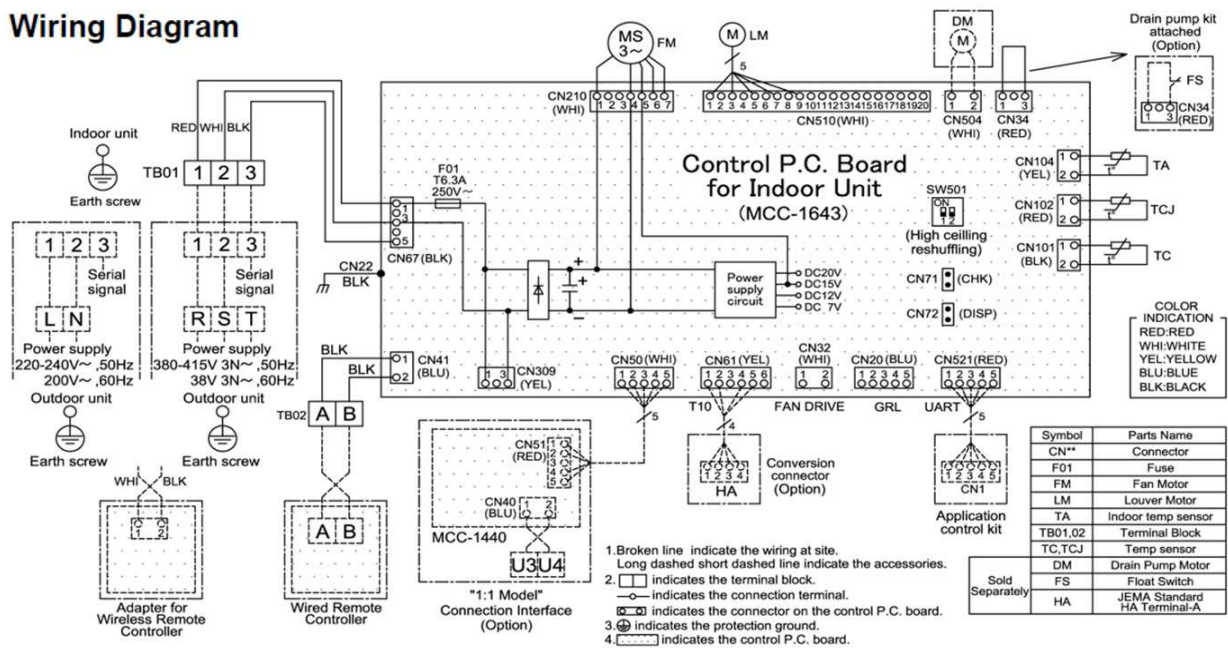
3. Twin indoor from one condenser, both indoors must be configured by pressing **UNIT** button.
4. Press **TEST**, controller will flash '**SETTING**' for approximately 5 minutes. If you fail to complete 'Part 1' - '**L09**' fault will flash on controller display when turned 'ON'.

Controller settings - Part 2

1. Press **TEST**, **SET** & **CL** together for 4 seconds, display will change showing Code '10'. Press Temperature **UP** arrow changing Code '10' to Code '4F'. Set data to '0039' with Time **UP/DOWN** and press **SET**
2. Press Temperature **UP** arrow changing Code '4F' to Code '50'. Set data to '0033' with Time **UP/DOWN** and press **SET**
3. Press Temperature **UP** arrow changing Code '50' to Code '51'. Set data to '0028' with Time **UP/DOWN** and press **SET**
4. Press Temperature **UP** arrow changing Code '51' to Code '52'. Set data to '0023' with Time **UP/DOWN** and press **SET**
5. Press Temperature **UP** arrow changing Code '52' to Code '53'. Set data to '0018' with Time **UP/DOWN** and press **SET**
6. Press Temperature **UP** arrow changing Code '53' to Code '54'. Set data to '0017' with Time **UP/DOWN** and press **SET**
7. Press Temperature **UP** arrow changing Code '54' to Code '55'. Set data to '0016' with Time **UP/DOWN** and press **SET**
8. Press Temperature **UP** arrow changing Code '55' to Code '56'. Set data to '0014' with Time **UP/DOWN** and press **SET**
9. Press Temperature **UP** arrow changing Code '56' to Code '57'. Set data to '0013' with Time **UP/DOWN** and press **SET**
10. Press Temperature **UP** arrow changing Code '57' to Code '58'. Set data to '0012' with Time **UP/DOWN** and press **SET**
11. Press Temperature **UP** arrow changing Code '58' to Code '59'. Set data to '0011' with Time **UP/DOWN** and press **SET**
12. Press Temperature **UP** arrow changing Code '59' to Code '5A'. Set data to '0011' with Time **UP/DOWN** and press **SET**
13. Press Temperature **UP** arrow changing Code '5A' to Code '5b'. Set data to '0005' with Time **UP/DOWN** and press **SET**
14. Press Temperature **UP** arrow changing Code '5b' to Code '5d'. Set data to '0001' with Time **UP/DOWN** and press **SET**

RBC-CK2 CONVERSION KIT - VRF Indoor to RAV Digital Inverter and Super Digital Inverter Model reference MML-AP****6H-E

Wiring Diagram



Photos

