

Specifications



Ceiling R32 NEW

- Vertical or horizontal installation.
- Air supply by means of one adjustable blade; Blade angle between 4° and 45°.

- Reduced noise thanks to the remotely controlled EEV valve.
- Long-life washable HD 40 permanent filter is included.

Indoor Unit		AC052RNC DKG/EU	AC071RNC DKG/EU
Outdoor Unit- Mono-Phase		AC052RXADKG/EU	AC071RXADKG/EU
Outdoor Unit- Tri-Phase			
Capacity			
	Cooling (Min/Nominal/Max)	kW	1.20 / 5.00 / 6.50
	Heating up to +7°C (Min/Nominal/Max)	kW	1.70 / 6.00 / 7.70
	Heating @ -5°C	kW	5.9
	Heating @ -15°C	kW	5.2
Performance			
Energy Efficiency Cooling	SEER	W/W	6.1 / A++
	Consumption	kWh/a	273
	Pdesignc	kW	5.0
	EER	W/W	3.05
Energy Efficiency Heating	SCOP	W/W	3.9 / A
	Consumption	kWh/a	862
	Pdesignh (average)	kW	2.4
	COP	W/W	3.37
AirFlow Rate	Indoor Unit (High/Mid/Low)	m ³ /min	12.6 / 11.3 / 10.0
Sound Power	Indoor Unit	dB(A)	60
	Outdoor Unit	dB(A)	62
Sound Pressure	Indoor Unit (Silent/Low/Mid/High)	dB(A)	36 / 39 / 41
	Outdoor Unit	dB(A)	48 / 48
Fan/ Outdoor unit	Type		Sirroco
	Power	W	40
	Number	EA	2
External Static Pressure	Min / Std / Max	Pa	
Operating Temp. Range	Cooling	°C	-15 ~ 50
	Heating	°C	-20 ~ 24
Electrical Data			
Power Source	Indoor Unit	V / Hz / Φ / #	220-240/ 50/1/ 2
	Outdoor Unit 1P	V / Hz / Φ / #	220-240/ 50/1/ 2
	Outdoor Unit 3P	V / Hz / Φ / #	
Compressor Type	Outdoor Unit	Type	Twin BI DC
			Twin BI DC
Power (Min/ Nominal/Max)	Cooling	kW	0.48 / 1.58 / 1.90
	Heating	kW	0.43 / 1.92 / 3.05
Current Input	Cooling (Min/Std/Max)	A	2.8 / 7.2 / 9.0
	Heating (Min/Std/Max)	A	2.4 / 8.5 / 14.5
	Cooling- Tri-Phase (Min/Std/Max)	A	
	Heating- Tri-Phase (Min/Std/Max)	A	
Dimensions			
Net Dimensions (W x H x D)	Indoor Unit	mm	1000 x 200 x 650
	Outdoor Unit	mm	880 x 638 x 310
Net Weight	Indoor Unit	kg	20,0
	Outdoor Unit	kg	43,0
Refrigerant			
Refrigerant	Type	R32(Contains fluorinated greenhouse gases. GWP=675)	
	Factory charging	kg	1.2 / 10m
	Charging Ton equivalent CO2	tCO2e	0.81 tCO2e
	Additional refrigerant charging	g / m	15
Piping Connections	Liquid Pipe	Φ.inch	1 / 4
	Gas Pipe	Φ.inch	1 / 2
Piping Length	Min/ Max	m	3 / 30
Piping Height	Max	m	20
Piping Connections	Drain pipe	Φ.mm	ID 18

Accessories

Individual Controllers (Optional)

Others (Optional)



MWR-SH11N



MWR-WE13N



MIM-H03N



MRW-TA

Ceiling (R410A)

Indoor Unit		AC052MNC DKH/EU	AC071MNC DKH/EU
Outdoor Unit- Mono-Phase		AC052MXADKH/EU	AC071MXADKH/EU
Outdoor Unit- Tri-Phase			
Capacity			
	Cooling (Min/Nominal/Max)	kW	1.70 / 5.00 / 5.60
	Heating up to +7°C (Min/Nominal/Max)	kW	1.70 / 6.00 / 7.70
	Heating @ -5°C	kW	5.88
	Heating @ -15°C	kW	5.22
Performance			
Energy Efficiency Cooling	SEER	W/W	6.1 / A++
	Consumption	kWh/a	287
	Pdesignc	kW	5.0
	EER	W/W	3.05
Energy Efficiency Heating	SCOP	W/W	3.9 / A
	Consumption	kWh/a	862
	Pdesignh (average)	kW	2.4
	COP	W/W	3.37
AirFlow Rate	Indoor Unit (High/Mid/Low)	m ³ /min	12.6 / 11.3 / 10.0
Sound Power	Indoor Unit	dB(A)	60
	Outdoor Unit	dB(A)	62
Sound Pressure	Indoor Unit (Silent/Low/Mid/High)	dB(A)	36 / 39 / 41
	Outdoor Unit	dB(A)	48 / 48
Fan/ Outdoor unit	Type		Sirroco
	Power	W	40
	Number	EA	2
External Static Pressure	Min / Std / Max	Pa	
Operating Temp. Range	Cooling	°C	-15 ~ 50
	Heating	°C	-20 ~ 24
Electrical Data			
Power Source	Indoor Unit	V / Hz / Φ / #	220-240/ 50/1/ 2
	Outdoor Unit 1P	V / Hz / Φ / #	220-240/ 50/1/ 2
	Outdoor Unit 3P	V / Hz / Φ / #	
Compressor Type	Outdoor Unit	Type	Twin BI DC
			Twin BI DC
Power (Min/ Nominal/Max)	Cooling	kW	0.48 / 1.64 / 1.90
	Heating	kW	0.43 / 1.78 / 3.05
Current Input	Cooling (Min/Std/Max)	A	2.8 / 7.4 / 9.0
	Heating (Min/Std/Max)	A	2.4 / 7.9 / 14.5
	Cooling- Tri-Phase (Min/Std/Max)	A	
	Heating- Tri-Phase (Min/Std/Max)	A	
Dimensions			
Net Dimensions (W x H x D)	Indoor Unit	mm	1000 x 200 x 650
	Outdoor Unit	mm	880 x 638 x 310
Net Weight	Indoor Unit	kg	20,0
	Outdoor Unit	kg	43.8
Refrigerant			
Refrigerant	Type	R410A(Contains fluorinated greenhouse gases. GWP=2.088)	
	Factory charging	kg	1.30 / 5m
	Charging Ton equivalent CO2	tCO2e	2.71 tCO2e
	Additional refrigerant charging	g / m	10
Piping Connections	Liquid Pipe	Φ.inch	1 / 4
	Gas Pipe	Φ.inch	1 / 2
Piping Length	Min/ Max	m	30
Piping Height	Max	m	20
Piping Connections	Drain pipe	Φ.mm	ID 18

Specifications



Big Ceiling (R32) NEW

- Vertical or horizontal installation.
- Air supply by means of one adjustable blade; Blade angle between 4° and 45°.
- Reduced noise thanks to the remotely controlled EEV valve.
- Long-life washable HD 40 permanent filter is included.

Indoor Unit		AC100RNCDKG/EU	AC120RNCDKG/EU	AC140RNCDKG/EU	
Outdoor Unit- Mono-Phase		AC100RXADKG/EU	AC120RXADKG/EU	AC140RXADKG/EU	
Outdoor Unit- Tri-Phase		AC100RXADNG/EU	AC120RXADNG/EU	AC140RXADNG/EU	
Capacity					
Capacity	Cooling (Min/Nominal/Max)	kW	3.0 / 10.0 / 12.0	3.0 / 12.0 / 13.5	3.5 / 13.4 / 15.5
	Heating up to +7°C (Min/Nominal/Max)	kW	3.0 / 12.0 / 13.5	3.0 / 12.0 / 13.5	3.5 / 15.5 / 18.0
	Heating @ -5°C	kW	11.0	12.9	15.2
	Heating @ -15°C	kW	9.7	11.5	13.5
Performance					
Energy Efficiency Cooling	SEER	W/W	6.1 / A++	5.9 / A+	6.1
	Consumption	kWh/a	574	TBD	-
	Pdesignc	kW	10.0	TBD	-
	EER	W/W	3.05	2.76	2.97
Energy Efficiency Heating	SCOP	W/W	4.0 / A+	4.0 / A+	4.0
	Consumption	kWh/a	1820	TBD	-
	Pdesignh (average)	kW	5.2	6.5	-
	COP	W/W	3.44	3.44	3.41
AirFlow Rate	Indoor Unit (High/Mid/Low)	m ³ /min	26.0 / 23.0 / 19.0	26.0 / 23.0 / 19.0	30.0 / 24.0 / 20.0
Sound Power	Indoor Unit	dB(A)	60	62	64
	Outdoor Unit	dB(A)	69	70	69
Sound Pressure	Indoor Unit (Silent/Low/Mid/High)	dB(A)	34 / 38 / 42	37 / 41 / 44	38 / 42 / 48
	Outdoor Unit	dB(A)	52 / 54	54 / 56	53 / 54
Fan/ Outdoor unit	Type		Sirocco	Sirocco	Sirocco
	Power	W	244	244	244
	Number	EA	4	4	4
External Static Pressure	Min / Std / Max	Pa			
Operating Temp. Range	Cooling	°C	-15 ~ 50	-15 ~ 50	-15 ~ 50
	Heating	°C	-20 ~ 24	-20 ~ 24	-20 ~ 24
Electrical Data					
Power Source	Indoor Unit	V / Hz / Φ / #	220-240/ 50/ 1/ 2	220-240/ 50/ 1/ 2	220-240/ 50/ 1/ 2
	Outdoor Unit 1P	V / Hz / Φ / #	220-240/ 50/ 1/ 2	220-240/ 50/ 1/ 2	220-240/ 50/ 1/ 2
	Outdoor Unit 3P	V / Hz / Φ / #	380-415/ 50/ 3/ 4	380-415/ 50/ 3/ 4	380-415/ 50/ 3/ 4
Compressor Type	Outdoor Unit	Type	Twin BI DC	Twin BI DC	Twin BI DC
Power (Min/ Nominal/Max)	Cooling	kW	0.60 / 3.28 / 4.70	0.90 / 4.35 / 5.30	0.80 / 4.50 / 6.45
	Heating	kW	0.46 / 3.25 / 5.40	0.70 / 3.83 / 5.60	0.70 / 4.54 / 7.36
Current Input	Cooling (Min/Std/Max)	A	3.0 / 14.6 / 20.4	5.1 / 19.1 / 24.0	3.7 / 19.7 / 28.0
	Heating (Min/Std/Max)	A	2.5 / 14.2 / 23.0	3.9 / 17.0 / 26.0	3.5 / 19.8 / 32.0
	Cooling- Tri-Phase (Min/Std/Max)	A	1.5 / 5.0 / 7.1	1.7 / 6.6 / 10.0	2.1 / 7.0 / 10.5
	Heating- Tri-Phase (Min/Std/Max)	A	1.2 / 5.1 / 8.4	1.5 / 6.2 / 12.0	1.9 / 7.0 / 12.0
Dimensions					
Net Dimensions (W x H x D)	Indoor Unit	mm	1650 x 235 x 675	1650 x 235 x 675	1650 x 235 x 675
	Outdoor Unit	mm	940 x 998 x 330	940 x 998 x 330	940 x 1210 x 330
Net Weight	Indoor Unit	kg	42.0	42.0	41.5
	Outdoor Unit	kg	75.0	81.0	91.5
Refrigerant					
Refrigerant	Type		R32(Contains fluorinated greenhouse gases. GWP=675)		
	Factory charging	kg	2.7 / 30m	2.7 / 30m	2.9 / 30m
	Charging Ton equivalent CO2	tCO2e	1.82 tCO2e	1.82 tCO2e	1.96 tCO2e
	Additional refrigerant charging	g / m	50	50	50
Piping Connections	Liquid Pipe	Φ.inch	3 / 8	3 / 8	3 / 8
	Gas Pipe	Φ.inch	5 / 8	5 / 8	5 / 8
Piping Length	Min/ Max	m	50	50	75
Piping Height	Max	m	30	30	30
Piping Connections	Drain pipe	Φ.mm	VP25 (OD32.ID25)	VP25 (OD32.ID25)	VP25 (OD32.ID25)

Big Ceiling (R410A)

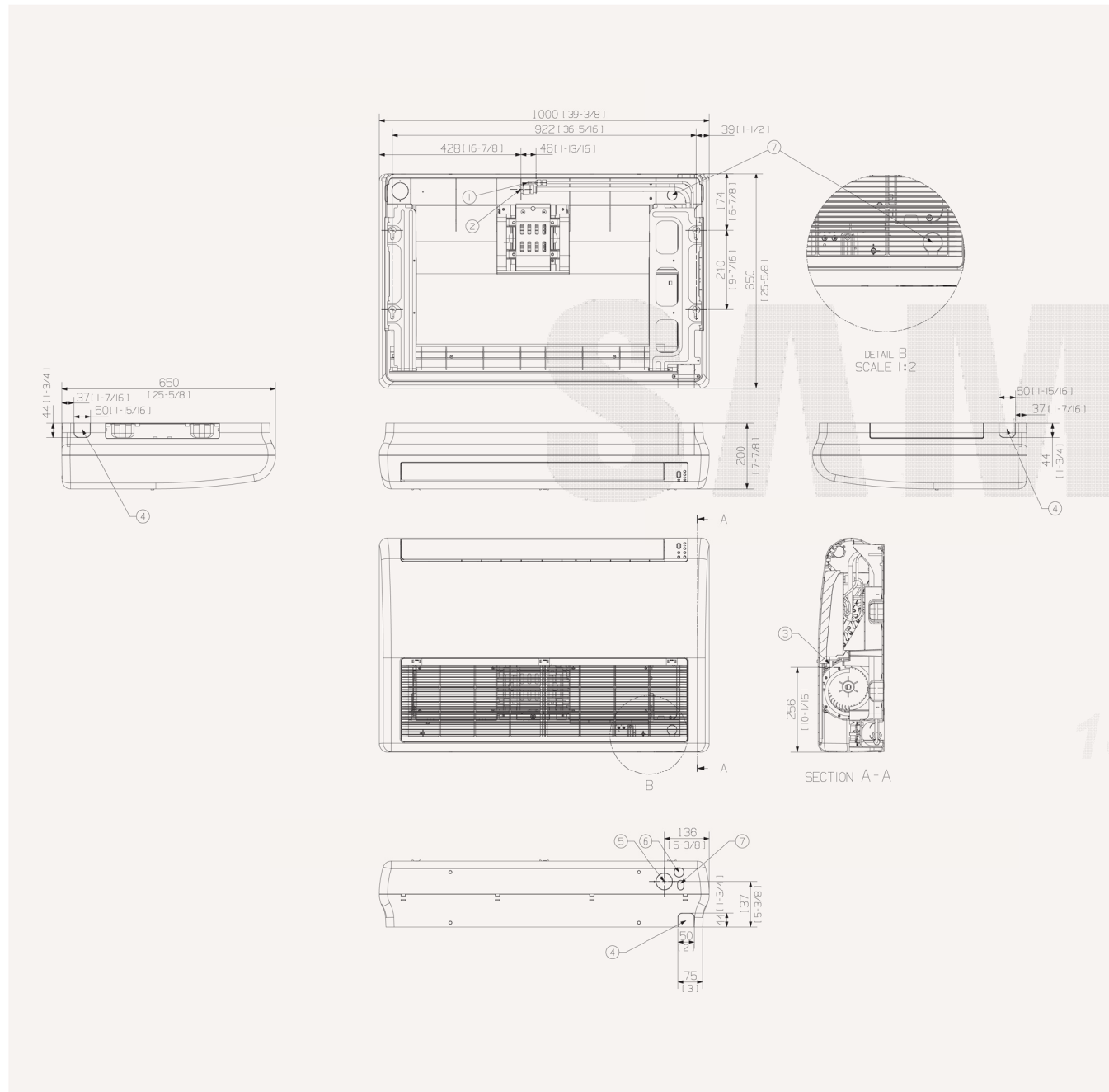
Accessories			
Individual Controllers (Optional)		Others (Optional)	
MWR-SH11N	MWR-WE13N	MIM-H03N	MRW-TA

Indoor Unit		AC100MNC DKH/EU	AC120MNC DKH/EU	AC140MNC DKH/EU	AC160JNC DEH/EU	
Outdoor Unit- Mono-Phase		AC100MXADKH/EU	AC120MXADKH/EU	AC140MXADKH/EU	-	
Outdoor Unit- Tri-Phase		AC100MXADNH/EU	AC120MXADNH/EU	AC140MXADNH/EU	AC160JXADGH/EU	
Capacity						
Capacity	Cooling (Min/Nominal/Max)	kW	3.00 / 10.00 / 12.00	3.50 / 12.00 / 13.50	3.50 / 13.40 / 15.50	4.30 / 15.00 / 17.30
	Heating up to +7°C (Min/Nominal/Max)	kW	2.20 / 11.20 / 15.50	3.80 / 13.00 / 16.50	3.50 / 15.50 / 18.00	4.70 / 17.50 / 19.00
	Heating @ -5°C	kW	10.98	12.74	15.19	-
	Heating @ -15°C	kW	9.74	11.31	13.49	-
Performance						
Energy Efficiency Cooling	SEER	W/W	5.8 / A+	5.7 / A+	-	-
	Consumption	kWh/a	603	737	-	-
	Pdesignc	kW	10.0	12.0	-	-
	EER	W/W	2.94	2.61	3.01	2.84
Energy Efficiency Heating	SCOP	W/W	4.0 / A+	4.1 / A+	-	-
	Consumption	kWh/a	1820	2527	-	-
	Pdesignh (average)	kW	5.2	7.4	-	-
	COP	W/W	3.5	3.42	3.41	3.6
AirFlow Rate	Indoor Unit (High/Mid/Low)	m ³ /min	26.0 / 23.0 / 19.0	30.0 / 24.0 / 20.0	34.0 / 27.0 / 23.0	37.00 / 31.00 / 26.00
Sound Power	Indoor Unit	dB(A)	60	62	64	68
	Outdoor Unit	dB(A)	69	70	69	-
Sound Pressure	Indoor Unit (Silent/Low/Mid/High)	dB(A)	34 / 38 / 42	37 / 41 / 44	38 / 42 / 46	44 / 47 / 51
	Outdoor Unit	dB(A)	52 / 54	54 / 56	53 / 54	56.0 / 58.0
Fan/ Outdoor unit	Type		Sirocco	Sirocco	Sirocco	Sirocco
	Power	W	244	244	244	244
	Number	EA	4	4	4	4
External Static Pressure	Min / Std / Max	Pa				
Operating Temp. Range	Cooling	°C	-15 ~ 50	-15 ~ 50	-15 ~ 50	-15~50
	Heating	°C	-20 ~ 24	-20 ~ 24	-20 ~ 24	-20~24
Electrical Data						
Power Source	Indoor Unit	V / Hz / Φ / #	220-240/ 50/ 1/ 2	220-240/ 50/ 1/ 2	220-240/ 50/ 1/ 2	220-240/ 50/ 1/ 2
	Outdoor Unit 1P	V / Hz / Φ / #	220-240/ 50/ 1/ 2	220-240/ 50/ 1/ 2	220-240/ 50/ 1/ 2	220-240/ 50/ 1/ 2
	Outdoor Unit 3P	V / Hz / Φ / #	380-415/ 50/ 3/ 4	380-415/ 50/ 3/ 4	380-415/ 50/ 3/ 4	380-415/ 50/ 3/ 4
Compressor Type	Outdoor Unit	Type	Twin BI DC	Twin BI DC	Twin BI DC	Twin BI DC
Power (Min/ Nominal/Max)	Cooling	kW	0.60 / 3.40 / 4.70	0.90 / 4.60 / 5.50	0.80 / 4.45 / 6.44	0.90 / 5.28 / 6.40
	Heating	kW	0.46 / 3.20 / 5.40	0.70 / 3.80 / 5.60	0.70 / 4.54 / 7.36	0.80 / 4.86 / 6.50
Current Input	Cooling (Min/Std/Max)	A	3.0 / 14.6 / 20.4	5.1 / 20.4 / 23.5	3.7 / 20.0 / 28.0	-
	Heating (Min/Std/Max)	A	2.5 / 14.2 / 23.0	3.9 / 17.1 / 22.8	3.5 / 19.5 / 32.0	-
	Cooling- Tri-Phase (Min/Std/Max)	A	1.50 / 5.30 / 7.10	1.70 / 7.20 / 9.50	2.10 / 7.00 / 12.00	1.70 / 8.20 / 9.80
	Heating- Tri-Phase (Min/Std/Max)	A	1.20 / 4.90 / 8.40	1.50 / 5.90 / 9.10	1.90 / 7.00 / 12.00	1.70 / 7.50 / 10.00
Dimensions						
Net Dimensions (W x H x D)	Indoor Unit	mm	1650 x 235 x 675	1650 x 235 x 675	1650 x 235 x 675	1650 x 235 x 675
	Outdoor Unit	mm	940 x 998 x 330	940 x 998 x 330	940 x 1210 x 330	940 x 1420 x 330
Net Weight	Indoor Unit	kg	41.4	41.4	41.4	42.0
	Outdoor Unit	kg	72.0	77.0	87.0	96.0
Refrigerant						
Refrigerant	Type		R410A(Contains fluorinated greenhouse gases. GWP=2.088)			
	Factory charging	kg	3.0	3.0	3.4	3.5
	Charging Ton equivalent CO2	tCO2e	6.26 tCO2e	6.26 tCO2e	7.1 tCO2e	7.31 tCO2e
	Additional refrigerant charging	g / m	50	50	50	50
Piping Connections	Liquid Pipe	Φ.inch	3 / 8	3 / 8	3 / 8	3 / 8
	Gas Pipe	Φ.inch	5 / 8	5 / 8	5 / 8	5 / 8
Piping Length	Min/ Max	m	50	50	75	75
Piping Height	Max	m	30	30	30	30
Piping Connections	Drain pipe	Φ.mm	VP25 (OD 32.ID 25)	VP25 (OD 32.ID 25)	VP25 (OD 32.ID 25)	OD 25 / ID 20

Dimensional Drawings

Ceiling

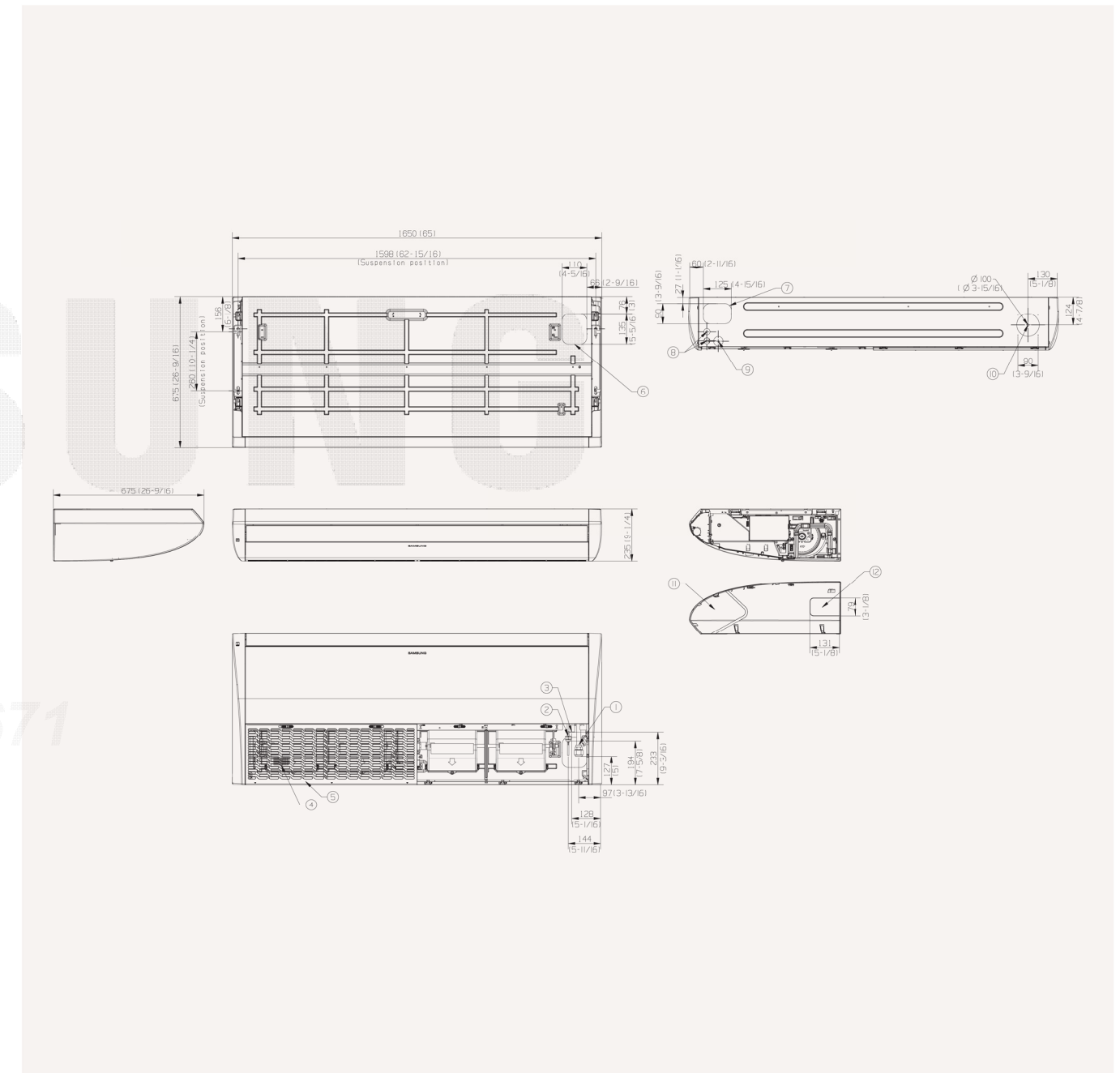
AC052/071*NCDK*/EU



Pos.	Name	Model	
		AC052MNC DKH/EU	AC071MNC DKH/EU
1	Liquid piping	ø 6,35 mm (1/4")	
2	Gas piping	ø 12,7 mm (1/2")	ø 15,88 mm (5/8")
3	Condensation drain piping	ID18mm [11/16"] Hose	
4	Piping connection	-	
5	Connection for external air	ø 50 [2]	
6	Connection of the condensation drain pipe	-	
7	Connection of the communication cables	-	

Big Ceiling

AC100/120/140*NCDK*/EU / AC160JNCDEH/EU



No.	Name	Description	No.	Name	Description
1	Liquid pipe connection	Φ9.52(3/8)	7	Knockout hole for piping (rear)	Φ28 [1-1/8]
2	Gas pipe connection	Φ15.88(5/8)	8	Conduit Hole	Φ42 [1-5/16]
3	Drain pipe connection	VP-25(OD32, ID25)	9	Knockout hole for drain hose	
4	Air filter		10	Knockout hole for Fresh air intake	
5	Air suction grille		11	Cover side	
6	Knockout hole for piping (upper)		12	Knockout hole for piping (side)	

Learn more about Samsung Climate Solutions at: www.samsung.com/climate

Copyright © 2018 Samsung Electronics Air Conditioner B.V. All rights reserved. Samsung is a registered trademark of Samsung Electronics Co., Ltd. Specifications and designs are subject to change without notice and may include preliminary information. Nonmetric weights and measurements are approximate. All data were deemed correct at time of creation. Samsung is not liable for errors or omissions. All brand, product, service names and logos are trademarks and/or registered trademarks of their respective owners and are hereby recognized and acknowledged.

Samsung Electronics Air Conditioner Europe B.V.

Evert van de Beekstraat 310, 1118 CX Schiphol • P.O. Box 75810, 1118 ZZ Schiphol • +31 (0)8 81 41 61 00 • Netherlands