

TOSHIBA

FILE NO. SVM-19066

SERVICE MANUAL

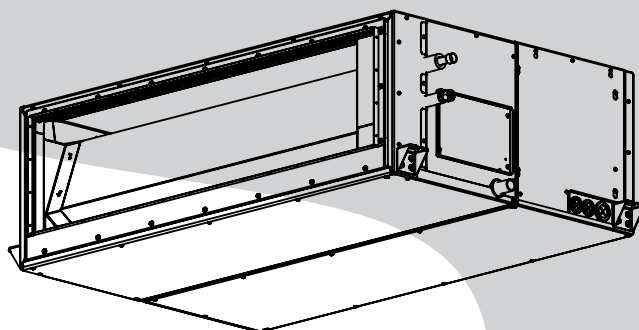
AIR-CONDITIONER SPLIT TYPE

INDOOR UNIT <DIGITAL INVERTER>

Concealed Duct High Static Pressure Type

RAV-RM2241DTP Series

RAV-RM2801DTP Series



R32 or R410A



March, 2019

CONTENTS

Definition of Qualified Installer or Qualified Service Person.....	4
Warning Indications on the Air Conditioner Unit	6
Precaution for Safety	7
Refrigerant (R32 or R410A)	14
1. SPECIFICATION	16
2. FAN CHARACTERISTICS	19
3. CONSTRUCTION VIEWS (EXTERNAL VIEWS)	20
4. WIRING DIAGRAM	22
5. PARTS RATING	23
6. CONTROL BLOCK DIAGRAM.....	24
6-1. Indoor Controller Block Diagram	24
6-2. Control Specifications	27
6-3. Indoor Print Circuit Design Board	36
7. TROUBLESHOOTING	40
7-1. Summary of Troubleshooting	40
7-2. Check Code List (Indoor)	45
7-3. Diagnostic Procedure for Each Check Code (Indoor Unit)	50
8. REPLACEMENT OF SERVICE P.C. BOARD	63
8-1. Indoor control P.C. Board	63
8-2. Fan IPDU P.C. Board (MMC-1610)	68
9. SETUP AT LOCAL SITE AND OTHERS	69
9-1. Indoor Unit.....	69
9-2. Setup at Local Site / Others	79
9-3. How to Set up Central Control Address Number	81
10. ADDRESS SETUP.....	83
10-1. Address Setup	83
10-2. Address Setup & Group Control.....	84
10-3. Address Setup (Manual Setting from Remote Controller).....	86
10-4. Confirmation of indoor unit No. position.....	87
11. DETACHMENTS	88

12. EXPLODED VIEWS AND PARTS LIST100
12-1. RAV-RM2241DTP-E(TR), RAV-RM2801DTP-E(TR) 100
12-2. Drain pump kit (TCB-DP40DPE) 102
12-3. Electric Parts 103

Original instruction

Please read carefully through these instructions that contain important information which complies with the "Machinery Directive" (Directive 2006/42/EC), and ensure that you understand them.

Generic Denomination: Air Conditioner

Definition of Qualified Installer or Qualified Service Person

The air conditioner must be installed, maintained, repaired and removed by a qualified installer or qualified service person. When any of these jobs is to be done, ask a qualified installer or qualified service person to do them for you.

A qualified installer or qualified service person is an agent who has the qualifications and knowledge described in the table below.

Agent	Qualifications and knowledge which the agent must have
Qualified installer	<ul style="list-style-type: none"> • The qualified installer is a person who installs, maintains, relocates and removes the air conditioners made by Toshiba Carrier Corporation. He or she has been trained to install, maintain, relocate and remove the air conditioners made by Toshiba Carrier Corporation or, alternatively, he or she has been instructed in such operations by an individual or individuals who have been trained and is thus thoroughly acquainted with the knowledge related to these operations. • The qualified installer who is allowed to do the electrical work involved in installation, relocation and removal has the qualifications pertaining to this electrical work as stipulated by the local laws and regulations, and he or she is a person who has been trained in matters relating to electrical work on the air conditioners made by Toshiba Carrier Corporation or, alternatively, he or she has been instructed in such matters by an individual or individuals who have been trained and is thus thoroughly acquainted with the knowledge related to this work. • The qualified installer who is allowed to do the refrigerant handling and piping work involved in installation, relocation and removal has the qualifications pertaining to this refrigerant handling and piping work as stipulated by the local laws and regulations, and he or she is a person who has been trained in matters relating to refrigerant handling and piping work on the air conditioners made by Toshiba Carrier Corporation or, alternatively, he or she has been instructed in such matters by an individual or individuals who have been trained and is thus thoroughly acquainted with the knowledge related to this work. • The qualified installer who is allowed to work at heights has been trained in matters relating to working at heights with the air conditioners made by Toshiba Carrier Corporation or, alternatively, he or she has been instructed in such matters by an individual or individuals who have been trained and is thus thoroughly acquainted with the knowledge related to this work.
Qualified service person	<ul style="list-style-type: none"> • The qualified service person is a person who installs, repairs, maintains, relocates and removes the air conditioners made by Toshiba Carrier Corporation. He or she has been trained to install, repair, maintain, relocate and remove the air conditioners made by Toshiba Carrier Corporation or, alternatively, he or she has been instructed in such operations by an individual or individuals who have been trained and is thus thoroughly acquainted with the knowledge related to these operations. • The qualified service person who is allowed to do the electrical work involved in installation, repair, relocation and removal has the qualifications pertaining to this electrical work as stipulated by the local laws and regulations, and he or she is a person who has been trained in matters relating to electrical work on the air conditioners made by Toshiba Carrier Corporation or, alternatively, he or she has been instructed in such matters by an individual or individuals who have been trained and is thus thoroughly acquainted with the knowledge related to this work. • The qualified service person who is allowed to do the refrigerant handling and piping work involved in installation, repair, relocation and removal has the qualifications pertaining to this refrigerant handling and piping work as stipulated by the local laws and regulations, and he or she is a person who has been trained in matters relating to refrigerant handling and piping work on the air conditioners made by Toshiba Carrier Corporation or, alternatively, he or she has been instructed in such matters by an individual or individuals who have been trained and is thus thoroughly acquainted with the knowledge related to this work. • The qualified service person who is allowed to work at heights has been trained in matters relating to working at heights with the air conditioners made by Toshiba Carrier Corporation or, alternatively, he or she has been instructed in such matters by an individual or individuals who have been trained and is thus thoroughly acquainted with the knowledge related to this work.

Definition of Protective Gear

When the air conditioner is to be transported, installed, maintained, repaired or removed, wear protective gloves and 'safety' work clothing.

In addition to such normal protective gear, wear the protective gear described below when undertaking the special work detailed in the table below.




Failure to wear the proper protective gear is dangerous because you will be more susceptible to injury, burns, electric shocks and other injuries.

Work undertaken	Protective gear worn
All types of work	Protective gloves 'Safety' working clothing
Electrical-related work	Gloves to provide protection for electricians Insulating shoes Clothing to provide protection from electric shock
Work done at heights (50 cm or more)	Helmets for use in industry
Transportation of heavy objects	Shoes with additional protective toe cap
Repair of outdoor unit	Gloves to provide protection for electricians

The important contents concerned to the safety are described on the product itself and on this Service Manual.




Please read this Service Manual after understanding the described items thoroughly in the following contents (Indications / Illustrated marks), and keep them.

[Explanation of indications]





Indication	Explanation
 DANGER	Indicates contents assumed that an imminent danger causing a death or serious injury of the repair engineers and the third parties when an incorrect work has been executed.
 WARNING	Indicates possibilities assumed that a danger causing a death or serious injury of the repair engineers, the third parties, and the users due to troubles of the product after work when an incorrect work has been executed.
 CAUTION	Indicates contents assumed that an injury or property damage (*) may be caused on the repair engineers, the third parties, and the users due to troubles of the product after work when an incorrect work has been executed.

* Property damage: Enlarged damage concerned to property, furniture, and domestic animal / pet

[Explanation of illustrated marks]

Indication	Explanation
	Indicates prohibited items (Forbidden items to do) The sentences near an illustrated mark describe the concrete prohibited contents.
	Indicates mandatory items (Compulsory items to do) The sentences near an illustrated mark describe the concrete mandatory contents.
	Indicates cautions (Including danger / warning) The sentences or illustration near or in an illustrated mark describe the concrete cautious contents.

MEANING OF SYMBOLS DISPLAYED ON THE UNIT







	WARNING (Risk of fire)	This mark is for R32 refrigerant only. Refrigerant type is written on nameplate of outdoor unit. In case that refrigerant type is R32, this unit uses a flammable refrigerant. If refrigerant leaks and comes in contact with fire or heating part, it will create harmful gas and there is risk of fire.
	Read the OWNER'S MANUAL carefully before operation.	
	Service personnel are required to carefully read the OWNER'S MANUAL and INSTALLATION MANUAL before operation.	
	Further information is available in the OWNER'S MANUAL, INSTALLATION MANUAL, and the like.	

Warning Indications on the Air Conditioner Unit

[Confirmation of warning label on the main unit]

Confirm that labels are indicated on the specified positions





If removing the label during parts replace, stick it as the original.

Warning indication		Description
	<p>WARNING</p> <p>ELECTRICAL SHOCK HAZARD Disconnect all remote electric power supplies before servicing.</p>	<p>WARNING</p> <p>ELECTRICAL SHOCK HAZARD Disconnect all remote electric power supplies before servicing.</p>
	<p>WARNING</p> <p>Moving parts. Do not operate unit with grille removed. Stop the unit before the servicing.</p>	<p>WARNING</p> <p>Moving parts. Do not operate unit with grille removed. Stop the unit before the servicing.</p>
	<p>CAUTION</p> <p>High temperature parts. You might get burned when removing this panel.</p>	<p>CAUTION</p> <p>High temperature parts. You might get burned when removing this panel.</p>
	<p>CAUTION</p> <p>Do not touch the aluminium fins of the unit. Doing so may result in injury.</p>	<p>CAUTION</p> <p>Do not touch the aluminium fins of the unit. Doing so may result in injury.</p>
	<p>CAUTION</p> <p>BURST HAZARD Open the service valves before the operation, otherwise there might be the burst.</p>	<p>CAUTION</p> <p>BURST HAZARD Open the service valves before the operation, otherwise there might be the burst.</p>
	<p>CAUTION</p> <p>Do not climb onto the fan guard. Doing so may result in injury.</p>	<p>CAUTION</p> <p>Do not climb onto the fan guard. Doing so may result in injury.</p>



PRECAUTIONS FOR SAFETY







The manufacturer shall not assume any liability for the damage caused by not observing the description of this manual.








DANGER



 Turn off breaker	<p>Before carrying out the installation, maintenance, repair or removal work, be sure to set the circuit breaker for both the indoor and outdoor units to the OFF position. Otherwise, electric shocks may result.</p>
	<p>Before opening the electrical box cover of the indoor unit or service panel of the outdoor unit, set the circuit breaker to the OFF position. Failure to set the circuit breaker to the OFF position may result in electric shocks through contact with the interior parts. Only a qualified installer (*1) or qualified service person (*1) is allowed to remove the intake grille of the indoor unit or service panel of the outdoor unit and do the work required.</p>
	<p>Place a "Work in progress" sign near the circuit breaker while the installation, maintenance, repair or removal work is being carried out. There is a danger of electric shocks if the circuit breaker is set to ON by mistake.</p>
	<p>Before opening the inspection opening, set the circuit breaker to the OFF position. Failure to set the circuit breaker to the OFF position may result in injury through contact with the rotation parts. Only a qualified installer (*1) or qualified service person(*1) is allowed to remove the inspection opening and do the work required.</p>
	<p>When cleaning the filter (sold separately) or other parts of the indoor unit, set the circuit breaker to OFF without fail, and place a "Work in progress" sign near the circuit breaker before proceeding with the work.</p>
 Electric shock hazard	<p>When you access inside of the service panel to repair electric parts, wait for about five minutes after turning off the breaker. Do not start repairing immediately. Otherwise you may get electric shock by touching terminals of high-voltage capacitors. Natural discharge of the capacitor takes about five minutes.</p>
	<p>When checking the electric parts, removing the cover of the electric parts box of Indoor Unit and/or service panel of Outdoor Unit inevitably to determine the failure, use gloves to provide protection for electricians, insulating shoes, clothing to provide protection from electric shock and insulating tools. Be careful not to touch the live part. Electric shock may result. Only "Qualified service person" is allowed to do this work.</p>
	<p>Before operating the air conditioner after having completed the work, check that the electrical partw box cover of the indoor unit and service panel of the outdoor unit are closed, and set the circuit breaker to the on position. You may receive on electric shock if the power is turned on without first conducting these checks.</p>
 Prohibition	<p>Place a "Work in progress" sign near the circuit breaker while the installation, maintenance, repair or removal work is being carried out. There is a danger of electric shocks if the circuit breaker is set to ON by mistake.</p>
	<p>When checking the electric parts, removing the cover of the electric parts box of Indoor Unit and/or front panel of Outdoor Unit inevitably to determine the failure, put a sign "Do not enter" around the site before the work. Failure to do this may result in third person getting electric shock.</p>
 Stay on protection	<p>Before operating the air conditioner after having completed the work, check that the electrical parts box cover of the indoor unit and service panel of the outdoor unit are closed, and set the circuit breaker to the ON position. You may receive an electric shock if the power is turned on without first conducting these checks.</p>
	<p>If, in the course of carrying out repairs, it becomes absolutely necessary to check out the electrical parts with the electrical parts box cover of one or more of the indoor units and the service panel of the outdoor unit removed in order to find out exactly where the trouble lies, wear insulated heat-resistant gloves, insulated boots and insulated work overalls, and take care to avoid touching any live parts. You may receive an electric shock if you fail to heed this warning. Only qualified service person (*1) is allowed to do this kind of work.</p>

 **WARNIG**

 General	<p>Before starting to repair the air conditioner, read carefully through the Service Manual, and repair the air conditioner by following its instructions.</p>
	<p>Only qualified service person (*1) is allowed to repair the air conditioner. Repair of the air conditioner by unqualified person may give rise to a fire, electric shocks, injury, water leaks and / or other problems.</p>
	<p>Inside the air conditioner are high-voltage areas and rotating parts. Due to the danger of electric shocks or of your fingers or physical objects becoming trapped in the rotating part, do not remove the electrical control box cover of the indoor unit or service panel of the outdoor unit. When work involving the removal of these parts is required, contact a qualified installer or a qualified service person.</p>
	<p>Only a qualified installer (*1) or qualified service person (*1) is allowed to carry out the electrical work of the air conditioner. Under no circumstances must this work be done by an unqualified individual since failure to carry out the work properly may result in electric shocks and / or electrical leaks.</p>
	<p>When the air conditioner is to be transported, installed, maintained, repaired or removed, wear protective gloves and 'safety' work clothing.</p>
	<p>To connect the electrical wires, repair the electrical parts or undertake other electrical jobs, wear gloves to provide protection for electricians, insulating shoes and clothing to provide protection from electric shocks. Failure to wear this protective gear may result in electric shocks.</p>
	<p>When checking the electric parts, removing the cover of the electric parts box of Indoor Unit and/or front panel of Outdoor Unit inevitably to determine the failure, put a sign "Do not enter" around the site before the work. Failure to do this may result in third person getting electric shock.</p>
	<p>Electrical wiring work shall be conducted according to law and regulation in the community and installation manual. Failure to do so may result in electrocution or short circuit.</p>
	<p>Use wiring that meets the specifications in the Installation Manual and the stipulations in the local regulations and laws. Use of wiring which does not meet the specifications may give rise to electric shocks, electrical leakage, smoking and/or a fire.</p>
	<p>Only a qualified installer (*1) or qualified service person (*1) is allowed to undertake work at heights using a stand of 50 cm or more or to remove the intake grille of the indoor unit to undertake work.</p>
	<p>When working at heights, use a ladder which complies with the ISO 14122 standard, and follow the procedure in the ladder's instructions. Also wear a helmet for use in industry as protective gear to undertake the work.</p>
	<p>Before working at heights, put a sign in place so that no-one will approach the work location, before proceeding with the work. Parts and other objects may fall from above, possibly injuring a person below. While carrying out the work, wear a helmet for protection from falling objects.</p>
	<p>When executing address setting, test run, or troubleshooting through the checking window on the electric parts box, put on insulated gloves to provide protection from electric shock. Otherwise you may receive an electric shock.</p>
	<p>Do not touch the aluminum fin of the unit. You may injure yourself if you do so. If the fin must be touched for some reason, first put on protective gloves and safety work clothing, and then proceed.</p>
	<p>Use forklift to carry in the air conditioner units and use winch or hoist at installation of them.</p>
<p>When transporting the air conditioner, wear shoes with protective toe caps, protective gloves and other protective clothing.</p>	
<p>When transporting the air conditioner, do not take hold of the bands around the packing carton. You may injure yourself if the bands should break.</p>	
 Check earth wires.	<p>Before troubleshooting or repair work, check the earth wire is connected to the earth terminals of the main unit, otherwise an electric shock is caused when a leak occurs. If the earth wire is not correctly connected, contact an electric engineer for rework.</p>
	<p>After completing the repair or relocation work, check that the earth wires are connected properly.</p>
	<p>Be sure to connect earth wire. Incomplete earthing causes an electric shock. Do not connect earth wires to gas pipes, water pipes, and lightning rods or earth wires for telephone wires.</p>

 Prohibition of modification.	Do not modify the products. Do not also disassemble or modify the parts. It may cause a fire, electric shock or injury.
 Use specified parts.	When any of the electrical parts are to be replaced, ensure that the replacement parts satisfy the specifications given in the Service Manual (or use the parts contained on the parts list in the Service Manual). Use of any parts which do not satisfy the required specifications may give rise to electric shocks, smoking and / or a fire.
 Do not bring a child close to the equipment.	If, in the course of carrying out repairs, it becomes absolutely necessary to check out the electrical parts with the electrical parts box cover of one or more of the indoor units and the service panel of the outdoor unit removed in order to find out exactly where the trouble lies, put a sign in place so that no one will approach the work location before proceeding with the work. Third-party individuals may enter the work site and receive electric shocks if this warning is not heeded.
 Insulating measures	Connect the cut-off lead wires with crimp contact, etc., put the closed end side upward and then apply a water cut method, otherwise a leak or production of fire is caused at the users' side.
 No fire	When performing repairs using a gas burner, replace the refrigerant with nitrogen gas because the oil that coats the pipes may otherwise burn. When repairing the refrigerating cycle, take the following measures. 1) Be attentive to fire around the cycle. When using a gas stove, etc., be sure to put out fire before work; otherwise the oil mixed with refrigerant gas may catch fire. 2) Do not use a welder in the closed room. When using it without ventilation, carbon monoxide poisoning may be caused. 3) Do not bring inflammables close to the refrigerant cycle, otherwise fire of the welder may catch the inflammables.
 Refrigerant	The refrigerant used by this air conditioner is the R32 or R410A Check the used refrigerant name and use tools and materials of the parts which match with it. For the products which use R32 or R410A refrigerant, the refrigerant name is indicated at a position on the outdoor unit where is easy to see. To prevent miss-charging, the route of the service port is changed from one of the former R22. Do not use any refrigerant different from the one specified for complement or replacement. Otherwise, abnormally high pressure may be generated in the refrigeration cycle, which may result in a failure or explosion of the product or an injury to your body. For an air conditioner which uses R32 or R410A, never use other refrigerant than R32 or R410A. For an air conditioner which uses other refrigerant (R22, etc.), never use R32 or R410A. If different types of refrigerant are mixed, abnormal high pressure generates in the refrigerating cycle and an injury due to breakage may be caused. When the air conditioner has been installed or relocated, follow the instructions in the Installation Manual and purge the air completely so that no gases other than the refrigerant will be mixed in the refrigerating cycle. Failure to purge the air completely may cause the air conditioner to malfunction. Do not charge refrigerant additionally. If charging refrigerant additionally when refrigerant gas leaks, the refrigerant composition in the refrigerating cycle changes resulted in change of air conditioner characteristics or refrigerant over the specified standard amount is charged and an abnormal high pressure is applied to the inside of the refrigerating cycle resulted in cause of breakage or injury. Therefore if the refrigerant gas leaks, recover the refrigerant in the air conditioner, execute vacuuming, and then newly recharge the specified amount of liquid refrigerant. In this time, never charge the refrigerant over the specified amount. When recharging the refrigerant in the refrigerating cycle, do not mix the refrigerant or air other than R32 or R410A into the specified refrigerant. If air or others is mixed with the refrigerant, abnormal high pressure generates in the refrigerating cycle resulted in cause of injury due to breakage. After installation work, check the refrigerant gas does not leak. If the refrigerant gas leaks in the room, poisonous gas generates when gas touches to fire such as fan heater, stove or cooking stove though the refrigerant gas itself is innocuous. Never recover the refrigerant into the outdoor unit. When the equipment is moved or repaired, be sure to recover the refrigerant with recovering device. The refrigerant cannot be recovered in the outdoor unit; otherwise a serious accident such as breakage or injury is caused.

 Assembly / Wiring	After repair work, surely assemble the disassembled parts, and connect and lead the removed wires as before. Perform the work so that the cabinet or panel does not catch the inner wires. If incorrect assembly or incorrect wire connection was done, a disaster such as a leak or fire is caused at user's side.
 Insulator check	After the work has finished, be sure to use an insulation tester set (500 V Megger) to check the resistance is 1 MΩ or more between the charge section and the non-charge metal section (Earth position). If the resistance value is low, a disaster such as a leak or electric shock is caused at user's side.
 Ventilation	When the refrigerant gas leaks during work, execute ventilation. If the refrigerant gas touches to a fire, poisonous gas generates. A case of leakage of the refrigerant and the closed room full with gas is dangerous because a shortage of oxygen occurs. Be sure to execute ventilation. If refrigerant gas has leaked during the installation work, ventilate the room immediately. If the leaked refrigerant gas comes in contact with fire, noxious gas may generate. After installation work, check the refrigerant gas does not leak. If the refrigerant gas leaks in the room, poisonous gas generates when gas touches to fire such as fan heater, stove or cooking stove though the refrigerant gas itself is innocuous.
 Compulsion	When the refrigerant gas leaks, find up the leaked position and repair it surely. If the leaked position cannot be found up and the repair work is interrupted, pump-down and tighten the service valve, otherwise the refrigerant gas may leak into the room. The poisonous gas generates when gas touches to fire such as fan heater, stove or cooking stove though the refrigerant gas itself is innocuous. When installing equipment which includes a large amount of charged refrigerant such as a multi air conditioner in a sub-room, it is necessary that the density does not the limit even if the refrigerant leaks. If the refrigerant leaks and exceeds the limit density, an accident of shortage of oxygen is caused. Tighten the flare nut with a torque wrench in the specified manner. Excessive tighten of the flare nut may cause a crack in the flare nut after a long period, which may result in refrigerant leakage. Nitrogen gas must be used for the airtight test. The charge hose must be connected in such a way that it is not slack. For the installation / moving / reinstallation work, follow to the Installation Manual. If an incorrect installation is done, a trouble of the refrigerating cycle, water leak, electric shock or fire is caused.
 Check after repair	Once the repair work has been completed, check for refrigerant leaks, and check the insulation resistance and water drainage. Then perform a trial run to check that the air conditioner is running properly. After repair work has finished, check there is no trouble. If check is not executed, a fire, electric shock or injury may be caused. For a check, turn off the power breaker. After repair work (installation of front panel and cabinet) has finished, execute a test run to check there is no generation of smoke or abnormal sound. If check is not executed, a fire or an electric shock is caused. Before test run, install the front panel and cabinet. Be sure to fix the screws back which have been removed for installation or other purposes.
 Do not operate the unit with the valve closed.	Check the following matters before a test run after repairing piping. <ul style="list-style-type: none"> • Connect the pipes surely and there is no leak of refrigerant. • The valve is opened. Running the compressor under condition that the valve closes causes an abnormal high pressure resulted in damage of the parts of the compressor and etc. and moreover if there is leak of refrigerant at connecting section of pipes, the air is sucked and causes further abnormal high pressure resulted in burst or injury.
 Check after reinstallation	Only a qualified installer (*1) or qualified service person (*1) is allowed to relocate the air conditioner. It is dangerous for the air conditioner to be relocated by an unqualified individual since a fire, electric shocks, injury, water leakage, noise and / or vibration may result. Check the following items after reinstallation. <ol style="list-style-type: none"> 1) The earth wire is correctly connected. 2) The power cord is not caught in the product. 3) There is no inclination or unsteadiness and the installation is stable. If check is not executed, a fire, an electric shock or an injury is caused. When carrying out the pump-down work shut down the compressor before disconnecting the refrigerant pipe. Disconnecting the refrigerant pipe with the service valve left open and the compressor still operating will cause air, etc. to be sucked in, raising the pressure inside the refrigeration cycle to an abnormally high level, and possibly resulting in reputeing, injury, etc.

 Cooling check	<p>When the service panel of the outdoor unit is to be opened in order for the compressor or the area around this part to be repaired immediately after the air conditioner has been shut down, set the circuit breaker to the OFF position, and then wait at least 10 minutes before opening the service panel. If you fail to heed this warning, you will run the risk of burning yourself because the compressor pipes and other parts will be very hot to the touch. In addition, before proceeding with the repair work, wear the kind of insulated heat-resistant gloves designed to protect electricians.</p>
	<p>Take care not to get burned by compressor pipes or other parts when checking the cooling cycle while running the unit as they get heated while running. Be sure to put on gloves providing protection for heat.</p>
 Installation	<p>When the service panel of the outdoor unit is to be opened in order for the fan motor, reactor, inverter or the areas around these parts to be repaired immediately after the air conditioner has been shut down, set the circuit breaker to the OFF position, and then wait at least 10 minutes before opening the service panel. If you fail to heed this warning, you will run the risk of burning yourself because the fan motor, reactor, inverter heat sink and other parts will be very hot to the touch. In addition, before proceeding with the repair work, wear the kind of insulated heat-resistant gloves designed to protect electricians.</p>
	<p>Only a qualified installer or service person is allowed to do installation work. Inappropriate installation may result in water leakage, electric shock or fire.</p>
	<p>Before starting to install the air conditioner, read carefully through the Installation Manual, and follow its instructions to install the air conditioner.</p>
	<p>Be sure to use the company-specified products for the separately purchased parts. Use of non-specified products may result in fire, electric shock, water leakage or other failure. Have the installation performed by a qualified installer.</p>
	<p>Do not install the air conditioner in a location that may be subject to a risk of exposure to a combustible gas. If a combustible gas leaks and becomes concentrated around the unit, a fire may occur.</p>
	<p>Install the indoor unit at least 2.5 m above the floor level since otherwise the users may injure themselves or receive electric shocks if they poke their fingers or other objects into the indoor unit while the air conditioner is running.</p>
	<p>Install a circuit breaker that meets the specifications in the installation manual and the stipulations in the local regulations and laws.</p>
	<p>Install the circuit breaker where it can be easily accessed by the agent.</p>
<p>If you install the unit in a small room, take appropriate measures to prevent the refrigerant from exceeding the limit concentration even if it leaks. Consult the dealer from whom you purchased the air conditioner when you implement the measures. Accumulation of highly concentrated refrigerant may cause an oxygen deficiency accident.</p>	
<p>Do not place any combustion appliance in a place where it is directly exposed to the wind of air conditioner, otherwise it may cause imperfect combustion.</p>	

Explanations given to user

If you have discovered that the fan grille is damaged, do not approach the outdoor unit but set the circuit breaker to the OFF position, and contact a qualified service person to have the repairs done. Do not set the circuit breaker to the ON position until the repairs are completed.

Relocation

- Only a qualified installer (*1) or qualified service person (*1) is allowed to relocate the air conditioner. It is dangerous for the air conditioner to be relocated by an unqualified individual since a fire, electric shocks, injury, water leakage, noise and / or vibration may result.
- When carrying out the pump-down work shut down the compressor before disconnecting the refrigerant pipe. Disconnecting the refrigerant pipe with the service valve left open and the compressor still operating will cause air, etc. to be sucked in, raising the pressure inside the refrigeration cycle to an abnormally high level, and possibly resulting in reputing, injury, etc.

(*1) Refer to the “Definition of Qualified Installer or Qualified Service Person”

Declaration of Conformity

Manufacturer: TOSHIBA CARRIER (THAILAND) CO., LTD.
144 / 9 Moo 5, Bangkadi Industrial Park, Tivanon Road, Tambol Bangkadi,
Amphur Muang, Pathumthani 12000, Thailand

TCF holder: TOSHIBA CARRIER EUROPE S.A.S.
Route de Thil
01120 Montluel FRANCE

Hereby declares that the machinery described below:

Generic Denomination: Air Conditioner

Model / type: RAV-RM2241DTP-E, RAV-RM2241DTP-TR
RAV-RM2801DTP-E, RAV-RM2801DTP-TR

Commercial name: Digital Inverter Series Air Conditioner

Complies with the provisions of the Machinery Directive (Directive 2006/42/EC) and the regulations transposing into national law

“Declaration of incorporation of partly completed machinery”

Must not be put into service until the final machinery into which it is to be incorporated has been declared in conformity with the provisions of this Directive, where appropriate.

NOTE

This declaration becomes invalid if technical or operational modifications are introduced without the manufacturer's consent.

Specifications

Model	Sound pressure level (dBA)		Weight (kg) Main unit
	Cooling	Heating	
RAV-RM2241DTP-E	44	44	97
RAV-RM2801DTP-E	46	46	97
RAV-RM2241DTP-TR	44	44	97
RAV-RM2801DTP-TR	46	46	97

Refrigerant (R32 or R410A)

This air conditioner adopts a HFC type refrigerant (R32 or R410A) which does not deplete the ozone layer.

1. Safety Caution Concerned to refrigerant (R32 or R410A)

The pressure of R32 or R410A is high 1.6 times of that of the former refrigerant (R22).

Accompanied with change of refrigerant, the refrigerating oil has been also changed.

Therefore, be sure that water, dust, the former refrigerant or the former refrigerating oil is not mixed into the refrigerating cycle of the air conditioner with refrigerant (R32 or R410A) during installation work or service work. If an incorrect work or incorrect service is performed, there is a possibility to cause a serious accident. Use the tools and materials exclusive to R32 or R410A to purpose a safe work.

2. Cautions on Installation/Service

1) Do not mix the other refrigerant or refrigerating oil.

For the tools exclusive to R32 or R410A, shapes of all the joints including the service port differ from those of the former refrigerant in order to prevent mixture of them.

2) As the use pressure of the refrigerant (R32 or R410A) is high, use material thickness of the pipe and tools which are specified for R32 or R410A.

3) In the installation time, use clean pipe materials and work with great attention so that water and others do not mix in because pipes are affected by impurities such as water, oxide scales, oil, etc. Use the clean pipes.

Be sure to brazing with flowing nitrogen gas. (Never use gas other than nitrogen gas.)

4) For the earth protection, use a vacuum pump for air purge.

5) R32 or R410A refrigerant is azeotropic mixture type refrigerant.

Therefore use liquid type to charge the refrigerant. (If using gas for charging, composition of the refrigerant changes and then characteristics of the air conditioner change.)

3. Pipe Materials

For the refrigerant pipes, copper pipe and joints are mainly used.

It is necessary to select the most appropriate pipes to conform to the standard.

Use clean material in which impurities adhere inside of pipe or joint to a minimum.

1) Copper pipe

<Piping>

The pipe thickness, flare finishing size, flare nut and others differ according to a refrigerant type.

When using a long copper pipe for R32 or R410A, it is recommended to select "Copper or copper-base pipe without seam" and one with bonded oil amount 40mg/10m or less.

Also do not use crushed, deformed, discolored (especially inside) pipes. (Impurities cause clogging of expansion valves and capillary tubes.)

<Flare nut>

Use the flare nuts which are attached to the air conditioner unit.

2) Joint

The flare joint and socket joint are used for joints of the copper pipe.

The joints are rarely used for installation of the air conditioner.

However clear impurities when using them.

4. Tools

1. Required Tools for R32 or R410A

Mixing of different types of oil may cause a trouble such as generation of sludge, clogging of capillary, etc. Accordingly, the tools to be used are classified into the following three types.

- 1) Tools exclusive for R32 or R410A (Those which cannot be used for conventional refrigerant (R22))
- 2) Tools exclusive for R32 or R410A, but can be also used for conventional refrigerant (R22)
- 3) Tools commonly used for R32 or R410A and for conventional refrigerant (R22)

The table below shows the tools exclusive for R32 or R410A and their interchangeability.

Tools exclusive for R32 or R410A (The following tools for R32 or R410A are required.)

Tools whose specifications are changed for R32 or R410A and their interchangeability

No.	Used tool	Usage	R32 or R410A air conditioner installation		Conventional air conditioner installation
			Existence of new equipment for R32 or R410A	Whether conventional equipment can be used	Whether conventional equipment can be used
①	Flare tool	Pipe flaring	Yes	* (Note)	Yes
②	Copper pipe gauge for adjusting projection margin	Flaring by conventional flare tool	Yes	* (Note)	* (Note)
③	Torque wrench	Tightening of flare nut	Yes	No	No
④	Gauge manifold	Evacuating, refrigerant charge, run check, etc.	Yes	No	No
⑤	Charge hose				
⑥	Vacuum pump adapter	Vacuum evacuating	Yes	No	Yes
⑦	Electronic balance for refrigerant charging	Refrigerant charge	Yes	Yes	Yes
⑧	Refrigerant cylinder	Refrigerant charge	Yes	No	No
⑨	Leakage detector	Gas leakage check	Yes	No	Yes

(Note) When flaring is carried out for R32 or R410A using the conventional flare tools, adjustment of projection margin is necessary. For this adjustment, a copper pipe gauge, etc. are necessary.

General tools (Conventional tools can be used.)

In addition to the above exclusive tools, the following equipments which serve also for R22 are necessary as the general tools.

- | | |
|---|---|
| <ol style="list-style-type: none"> 1) Vacuum pump. Use vacuum pump by attaching vacuum pump adapter. 2) Torque wrench 3) Pipe cutter 4) Reamer 5) Pipe bender 6) Level vial | <ol style="list-style-type: none"> 7) Screwdriver (+, -) 8) Spanner or Monkey wrench 9) Hole core drill 10) Hexagon wrench (Opposite side 4mm) 11) Tape measure 12) Metal saw |
|---|---|

Also prepare the following equipments for other installation method and run check.

- | | |
|--|--|
| <ol style="list-style-type: none"> 1) Clamp meter 2) Thermometer | <ol style="list-style-type: none"> 3) Insulation resistance tester (Megger) 4) Electroscop |
|--|--|

1. SPECIFICATIONS

Concealed Duct Static Pressure Type

(50Hz)

Model name		Indoor Unit		RAV-	RM2241DTP-E / -TR	RM2801DTP-E / -TR
		Outdoor Unit		RAV-	SM2244AT(Z)(ZG)8-E	SM2804AT(Z)(ZG)8-E
Cooling capacity ...Note 1				(kW)	20.0	23.7
Heating capacity ...Note 1				(kW)	22.4	27.0
Electrical characteristics (factory setting)	Cooling	Indoor Unit	Power supply		1phase 50Hz 230V(220V-240V)	
			Running current (220V-240V)	(A)	2.80 (2.93-2.68)	3.75 (3.92-3.59)
			Power consumption	(kW)	0.530	0.785
			Power factor	(-)	0.82	0.91
		Outdoor Unit	Power supply		3-phase 4 wires 50Hz 380V-415V	
			Running current (380V-415V)	(A)	10.31 - 9.44	13.82 - 12.66
			Power consumption	(kW)	5.89	8.14
			Power factor	(-)	0.87	0.89
	Total	Power consumption (min-max)		(kW)	6.29 (2.63-7.60)	8.75 (2.68-12.20)
		EER ...Note 2			3.18	2.71
	Heating	Indoor Unit	Power supply		1phase 50Hz 230V(220V-240V)	
			Running current (220V-240V)	(A)	2.80 (2.93-2.68)	3.75 (3.92-3.59)
			Power consumption	(kW)	0.530	0.785
			Power factor	(-)	0.82	0.91
		Outdoor Unit	Power supply		3-phase 4 wires 50Hz 380V-415V	
			Running current (380V-415V)	(A)	9.29 - 8.51	11.22 - 10.27
Power consumption			(kW)	5.51	6.51	
Power factor			(-)	0.90	0.88	
Total		Power consumption (min-max)		(kW)	5.91 (2.32-7.02)	7.20 (2.55-9.32)
		COP ...Note 2			3.79	3.75
Maximum Current	Indoor Unit	starting current		(A)	8.15	8.15
	Outdoor Unit	starting current		(A)	18.0	20.0
Appearance				Zinc hot dipping steel plate		
Dimension		Height		(mm)	448	
		Width		(mm)	1400	
		Depth		(mm)	900	
Weight				(kg)	97	
Heat exchanger				Finned tube		
Soundproof / Heat-insulating material				Polyethylene foam		
Fan unit		Fan		Centrifugal fan		
		Standard air flow (Med./Low)		(m3/h)	3,800 (3,200 / 2,500)	4,800 (4,200 / 3,500)
		Motor output		(kW)	1kW * 1pc	
		External static pressure (factory setting)		(Pa)	150	
		External static pressure range		(Pa)	50-83-117-150-183-217-250 (7steps)	
Controller				Remote controller		
Air filter				Sold separately (TCB-LK2801DP-E)		
Drain pump				Sold separately (TCB-DP40DPE)		
Connecting pipe		Gas side		(mm)	Φ28.6	
		Liquid side		(mm)	Φ12.7	
		Drain port		(mm)	25(Polyvinyl chloride tube)	
Sound pressure level (High/Med./Low) ...Note 3 (factory setting)				(dB(A))	44 / 40 / 36	46 / 42 / 38
Sound power level (High/Med./Low)				(dB(A))	79 / 75 / 71	81 / 77 / 73

Note 1 : The cooling capacities and electrical characteristics are measured under the conditions specified by JIS B 8615 based on the reference piping.

The reference piping consists of 7.5m piping connected with 0 meter height.

Note 2 : The EER and COP are measured under conditions specified by BS EN14511(2013)

External static pressure is different from factory setting.

Note 3 : The sound level are measured in an anechoic chamber in accordance with JIS B 8616.

Normally, the values measured in the actual operating environment become larger than the indicated values due to the effects of external sound.

Note : Rated conditions Cooling: Indoor air temperature 27°C DB/19°C WB, Outdoor air temperature 35°C DB

Heating: Indoor air temperature 20°C DB, Outdoor air temperature 7°C DB/6°C WB

Concealed Duct Static Pressure Type

(60Hz)

Model name		Indoor Unit		RAV-	RM2241DTP-E	RM2801DTP-E
		Outdoor Unit		RAV-	SM2244AT7	SM2804AT7
Cooling capacity ...Note 1				(kW)	20.0	23.7
Heating capacity ...Note 1				(kW)	22.4	27.0
Electrical characteristics (factory setting)	Cooling	Indoor Unit	Power supply	1phase 60Hz 220V		
			Running current	(A)	2.93	3.92
			Power consumption	(kW)	0.530	0.785
			Power factor	(-)	0.82	0.91
		Outdoor Unit	Power supply	3-phase 4 wires 60Hz 380V		
			Running current	(A)	10.31	13.82
			Power consumption	(kW)	5.89	8.14
			Power factor	(-)	0.87	0.89
	Total	Power consumption (min-max)	(kW)	6.29 (2.63-7.60)	8.75 (2.68-12.20)	
		EER ...Note 2		3.18	2.71	
	Heating	Indoor Unit	Power supply	1phase 60Hz 220V		
			Running current	(A)	2.93	3.92
			Power consumption	(kW)	0.530	0.785
			Power factor	(-)	0.82	0.91
		Outdoor Unit	Power supply	3-phase 4 wires 60Hz 380V		
			Running current	(A)	9.29	11.22
Power consumption			(kW)	5.51	6.51	
Power factor			(-)	0.90	0.88	
Total		Power consumption (min-max)	(kW)	5.91 (2.32-7.02)	7.20 (2.55-9.32)	
		COP ...Note 2		3.79	3.75	
Maximum Current	Indoor Unit	starting current	(A)	8.15	8.15	
	Outdoor Unit	starting current	(A)	18.0	20.0	
Appearance				Zinc hot dipping steel plate		
Dimension		Height	(mm)	448		
		Width	(mm)	1400		
		Depth	(mm)	900		
Weight			(kg)	97		
Heat exchanger				Finned tube		
Soundproof / Heat-insulating material				Polyethylene foam		
Fan unit		Fan		Centrifugal fan		
		Standard air flow (Med./Low)	(m ³ /h)	3,800 (3,200 / 2,500)	4,800 (4,200 / 3,500)	
		Motor output	(kW)	1kW * 1pc		
		External static pressure (factory setting)	(Pa)	150		
		External static pressure range	(Pa)	50-83-117-150-183-217-250 (7steps)		
Controller				Remote controller		
Air filter				Sold separately (TCB-LK2801DP-E)		
Drain pump				Sold separately (TCB-DP40DPE)		
Connecting pipe		Gas side	(mm)	Φ28.6		
		Liquid side	(mm)	Φ12.7		
		Drain port	(mm)	25(Polyvinyl chloride tube)		
Sound pressure level (High/Med./Low) ...Note 2 (factory setting)				(dB(A))	44 / 40 / 36	46 / 42 / 38
Sound power level (High/Med./Low)				(dB(A))	79 / 75 / 71	81 / 77 / 73

Note 1 : The cooling capacities and electrical characteristics are measured under the conditions specified by JIS B 8615 based on the reference piping.

The reference piping consists of 7.5m piping connected with 0 meter height.

Note 2 : The EER and COP are measured under conditions specified by BS EN14511(2013)

External static pressure is different from factory setting.

Note 3 : The sound level are measured in an anechoic chamber in accordance with JIS B 8616.

Normally, the values measured in the actual operating environment become larger than the indicated values due to the effects of external sound.

Note : Rated conditions Cooling: Indoor air temperature 27°C DB/19°C WB, Outdoor air temperature 35°C DB

Heating: Indoor air temperature 20°C DB, Outdoor air temperature 7°C DB/6°C WB

Concealed Duct Static Pressure Type for Australia, New Zealand

(50Hz)

Model name		Indoor Unit		RAV-	RM2241DTP-E	RM2801DTP-E
		Outdoor Unit		RAV-	SM2244AT8-A1	SM2804AT8-A1
Cooling capacity ...Note 1				(kW)	16.8	20.0
Heating capacity ...Note 1				(kW)	22.4	27.0
Electrical characteristics (factory setting)	Cooling	Indoor Unit	Power supply	1phase 50Hz 230V-240V		
			Running current (230V-240V)	(A)	2.80 - 2.68	3.75 - 3.59
			Power consumption	(kW)	0.530	0.785
			Power factor	(-)	0.82	0.91
		Outdoor Unit	Power supply	3-phase 4 wires 50Hz 400-415V		
			Running current (400V-415V)	(A)	7.86 - 7.58	9.16 - 8.83
			Power consumption	(kW)	4.71	5.62
			Power factor	(-)	0.86	0.89
	Total	Power consumption (min-max)	(kW)	5.05 (2.63-7.60)	6.10 (2.68-12.20)	
		EER ...Note 2		3.33	3.28	
	Heating	Indoor Unit	Power supply	1phase 50Hz 230V-240V		
			Running current (230V-240V)	(A)	2.80 - 2.68	3.75 - 3.59
			Power consumption	(kW)	0.530	0.785
			Power factor	(-)	0.82	0.91
		Outdoor Unit	Power supply	3-phase 4 wires 50Hz 400-415V		
			Running current (400V-415V)	(A)	8.83 - 8.51	10.66 - 10.27
Power consumption			(kW)	5.51	6.51	
Power factor			(-)	0.90	0.88	
Total	Power consumption (min-max)	(kW)	5.91 (2.32-7.02)	7.20 (2.55-9.32)		
	COP ...Note 2		3.79	3.75		
Maximum Current	Indoor Unit	starting current	(A)	8.15	8.15	
	Outdoor Unit	starting current	(A)	18.0	20.0	
Appearance				Zinc hot dipping steel plate		
Dimension		Height	(mm)	448		
		Width	(mm)	1400		
		Depth	(mm)	900		
Weight				(kg)	97	
Heat exchanger				Finned tube		
Soundproof / Heat-insulating material				Polyethylene foam		
Fan unit		Fan		Centrifugal fan		
		Standard air flow (Med./Low)	(m ³ /h)	3,800 (3,200 / 2,500)	4,800 (4,200 / 3,500)	
		Motor output	(kW)	1kW * 1pc		
		External static pressure (factory setting)	(Pa)	150		
		External static pressure range	(Pa)	50-83-117-150-183-217-250 (7steps)		
Controller				Remote controller		
Air filter				Sold separately (TCB-LK2801DP-E)		
Drain pump				Sold separately (TCB-DP40DPE)		
Connecting pipe		Gas side	(mm)	Φ28.6		
		Liquid side	(mm)	Φ12.7		
		Drain port	(mm)	25(Polyvinyl chloride tube)		
Sound pressure level (High/Med./Low) ...Note 3 (factory setting)				(dB(A))	44 / 40 / 36	46 / 42 / 38
Sound power level (High/Med./Low)				(dB(A))	79 / 75 / 71	81 / 77 / 73

Note 1 : The cooling capacities and electrical characteristics are measured under the conditions specified by JIS B 8615 based on the reference piping.

The reference piping consists of 7.5m piping connected with 0 meter height.

Note 2 : The EER and COP are measured under conditions specified by BS EN14511(2013)

External static pressure is different from factory setting.

Note 3 : The sound level are measured in an anechoic chamber in accordance with JIS B 8616.

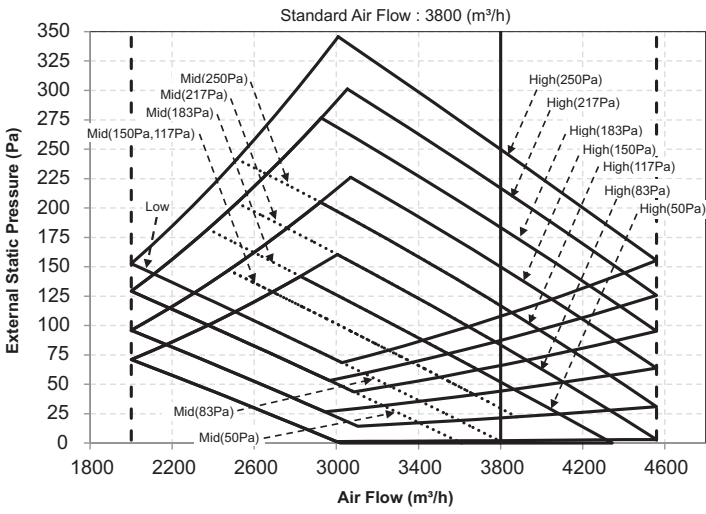
Normally, the values measured in the actual operating environment become larger than the indicated values due to the effects of external sound.

Note: Rated conditions Cooling: Indoor air temperature 27°C DB/19°C WB, Outdoor air temperature 35°C DB

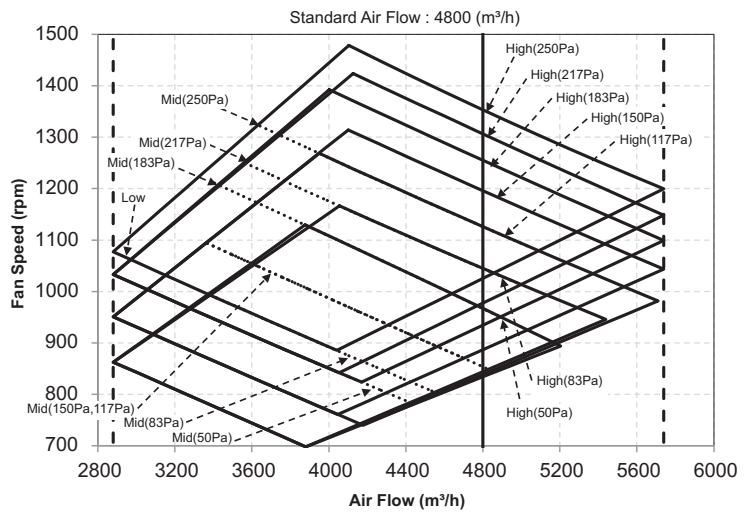
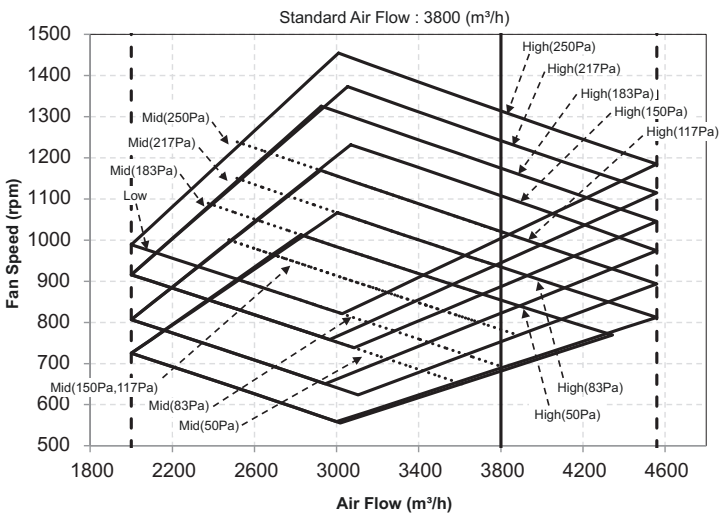
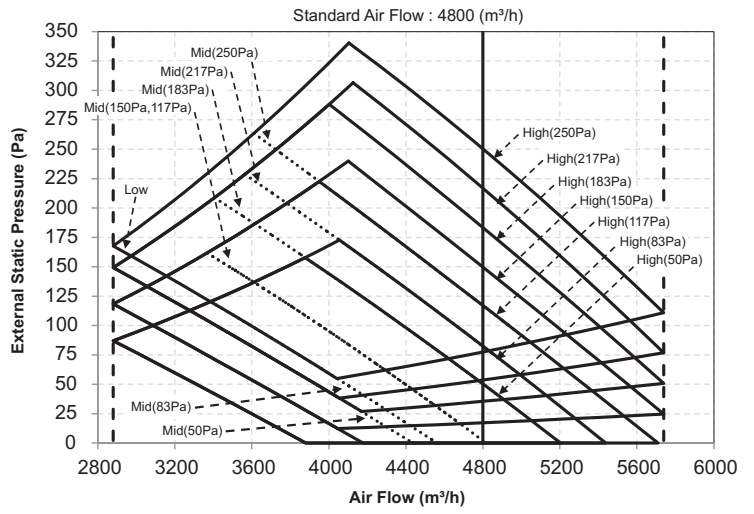
Heating: Indoor air temperature 20°C DB, Outdoor air temperature 7°C DB/6°C WB

2. FAN CHARACTERISTICS

RM224 type

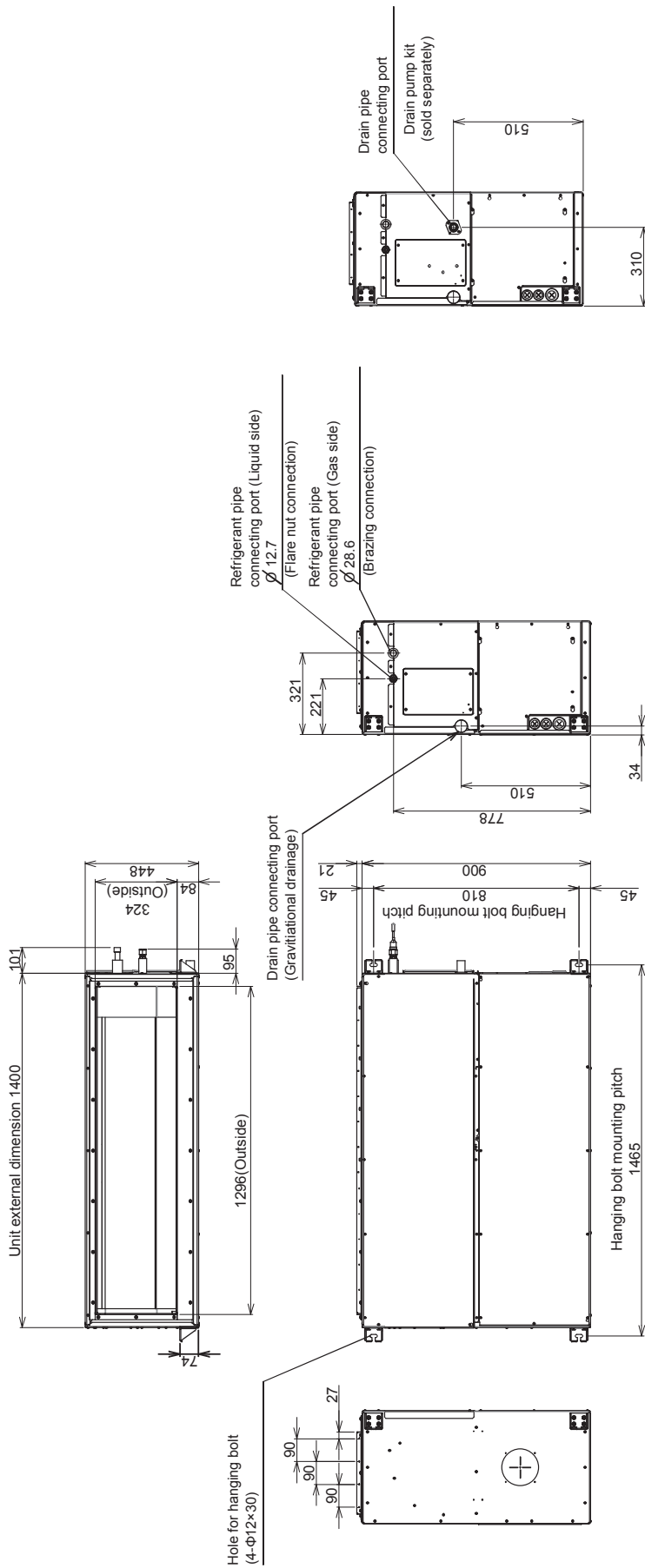


RM280 type

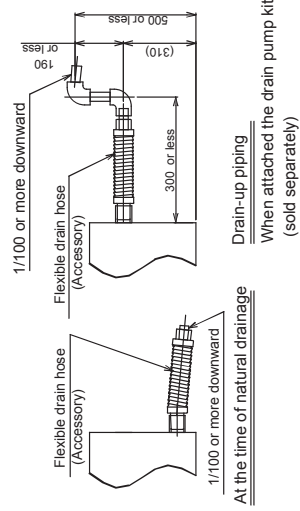
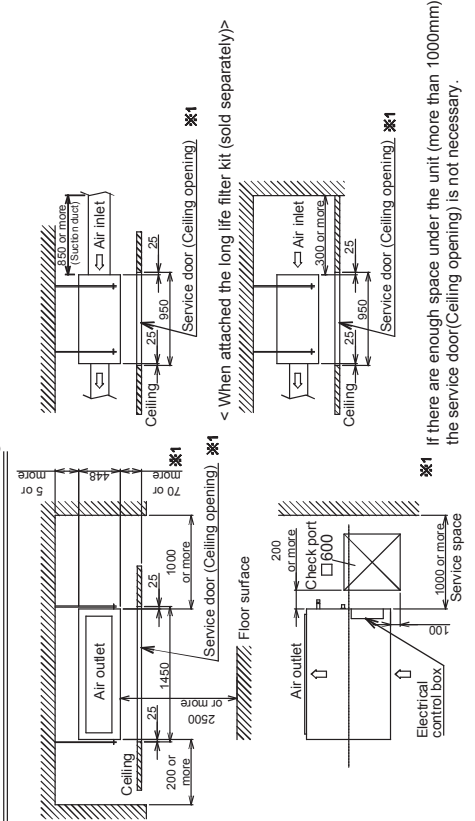


3. CONSTRUCTION VIEWS (EXTERNAL VIEWS)

Unit : mm



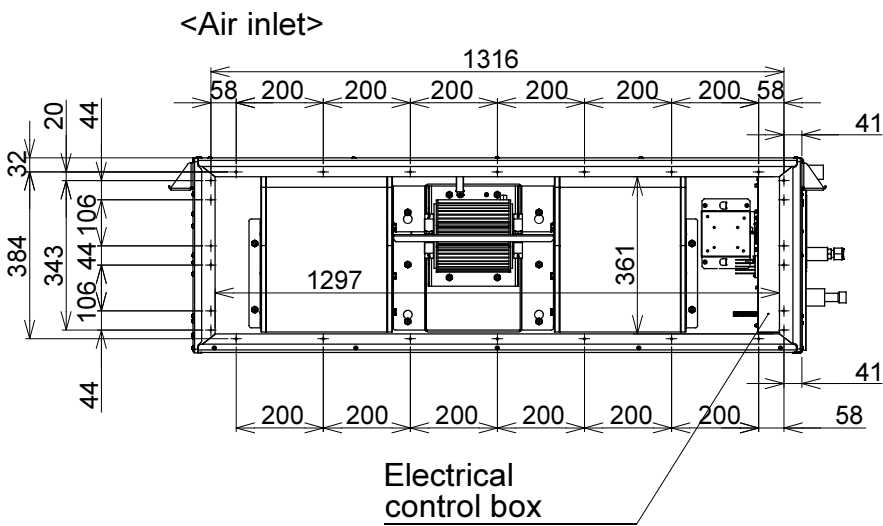
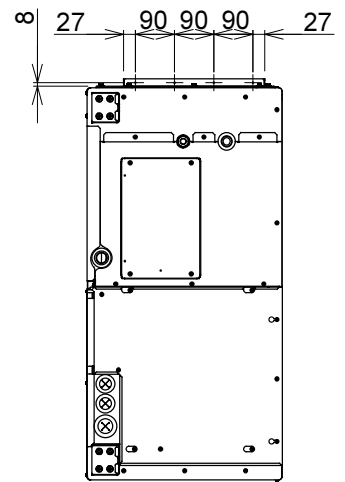
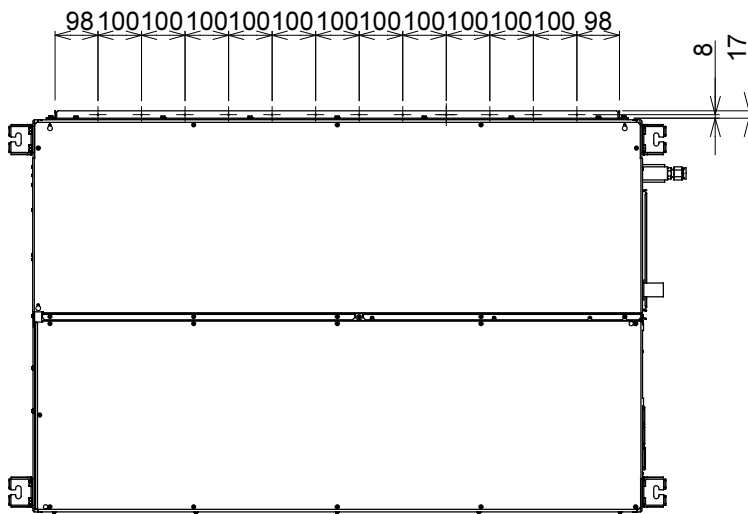
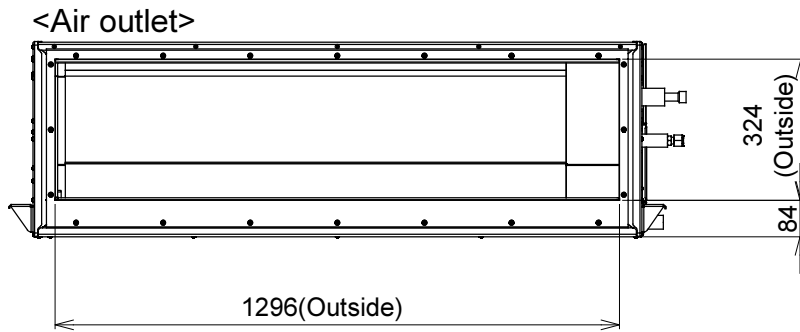
Space required for installation and servicing



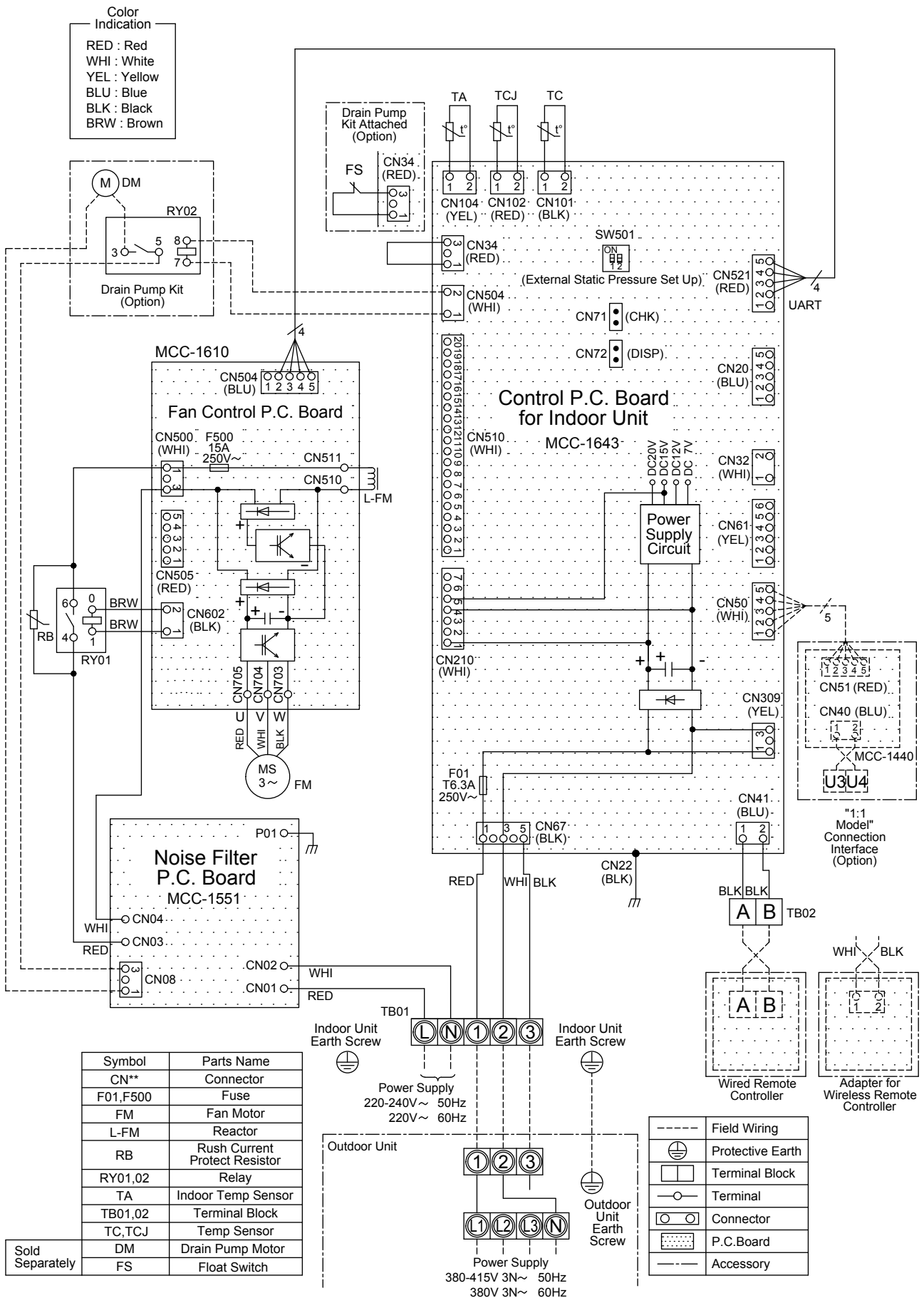
※1 If there are enough space under the unit (more than 1000mm) the service door (Ceiling opening) is not necessary.

Duct arrangement

Unit : mm



4. WIRING DIAGRAMS



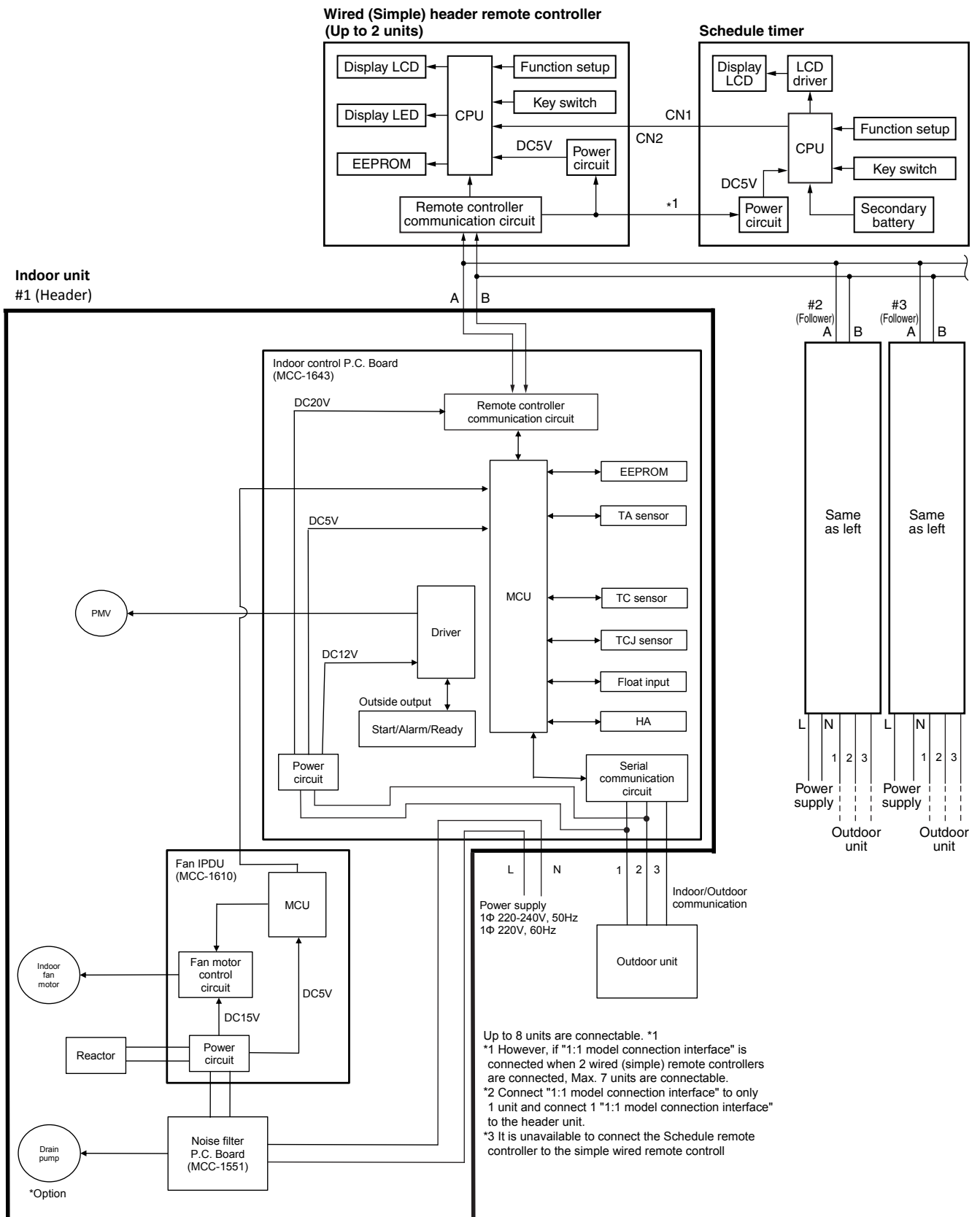
5. PARTS RATING

Model	RAV-	RM224*	RM280*
Fan motor		SWF-340W1000-1	
TA sensor		Lead wire length:218mm	
TC sensor		Ø6 size lead wire length:1000mm Vinyl tube (Black)	
TCJ sensor		Ø6 size lead wire length:1000mm Vinyl tube (Red)	
Drain pump (option)		PCD-4N230TF-4	
Float switch (option)		FS-1A-31-3	

6. CONTROL BLOCK DIAGRAM

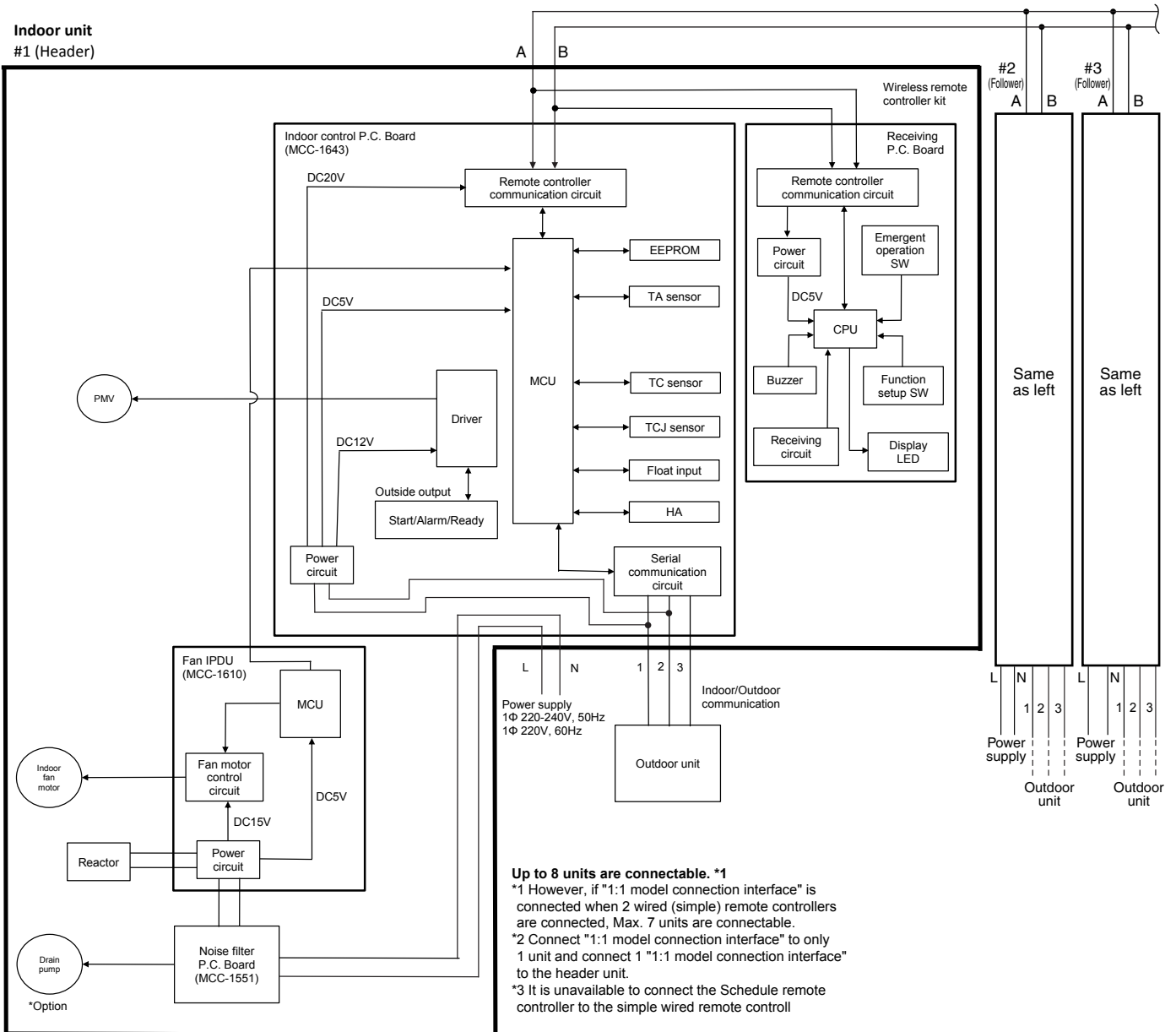
6-1. Indoor Controller Block Diagram

6-1-1. In Case of Connection of Wired (Simple) Remote Controller

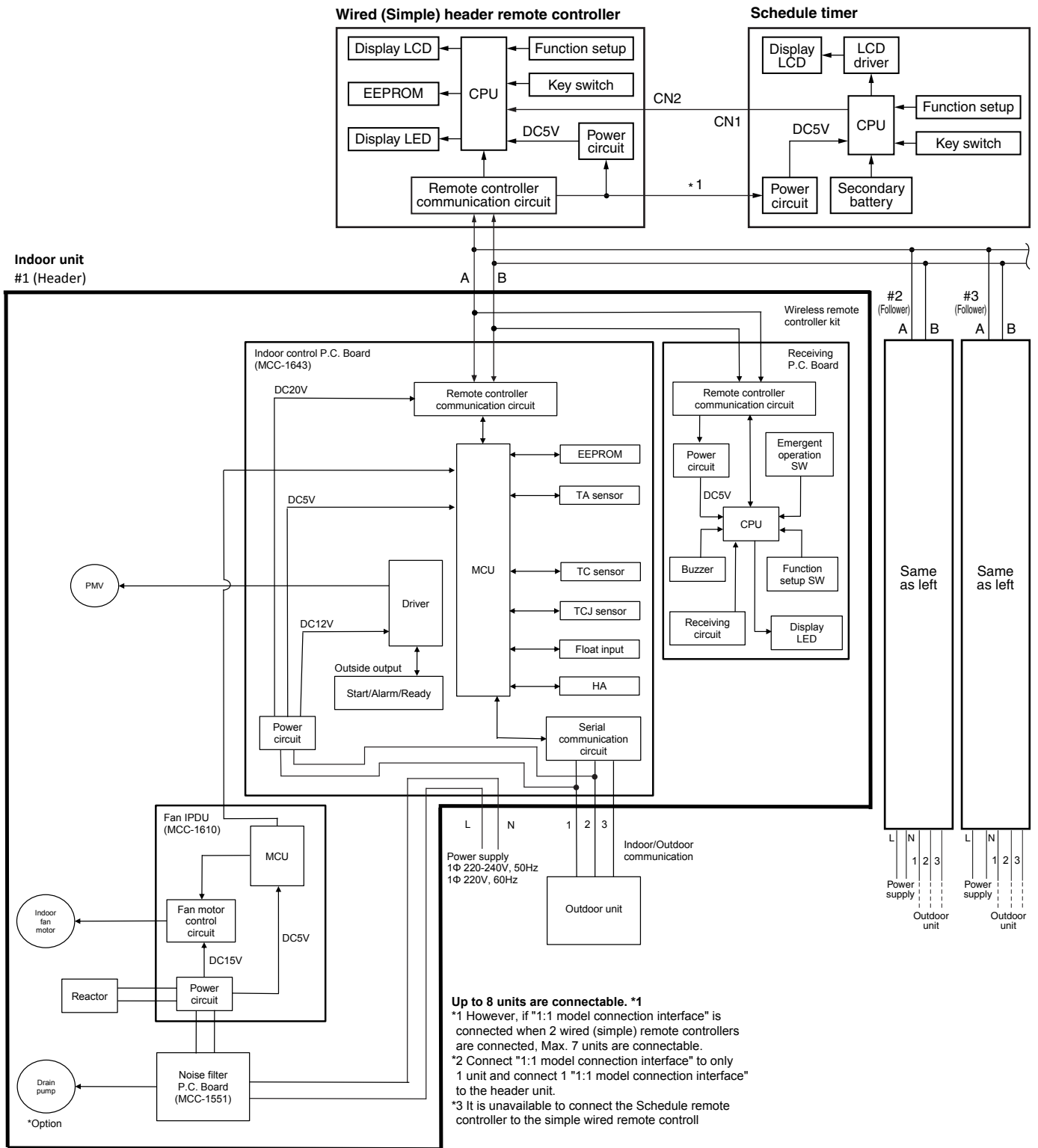


Up to 8 units are connectable. *1
 *1 However, if "1:1 model connection interface" is connected when 2 wired (simple) remote controllers are connected, Max. 7 units are connectable.
 *2 Connect "1:1 model connection interface" to only 1 unit and connect 1 "1:1 model connection interface" to the header unit.
 *3 It is unavailable to connect the Schedule remote controller to the simple wired remote control

6-1-2. In Case of Connection of Wireless Remote Controller



6-1-3. Connection of Both Wired (Simple) Remote Controller and Wireless Remote Controller



Max. 8 units are connectable.

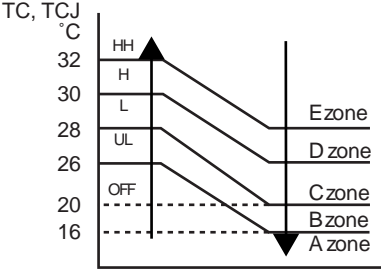

*1 The schedule timer cannot be connected to the simple wired remote controller.

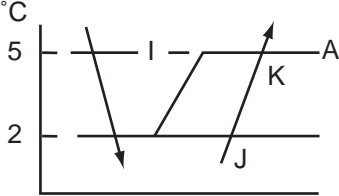
6-2. Control Specifications

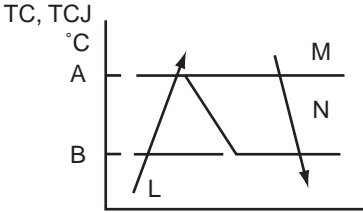
No.	Item	Outline of specifications	Remarks																										
1	When power supply is reset	1) Distinction of outdoor unit When the power supply is reset, the outdoors are distinguished and the control is selected according to the distinguished result. 2) Setting of indoor fan speed and existence of air direction adjustment Based on EEPROM data, select setting of the indoor fan speed.	Fan speed (rpm)																										
2	Operation mode selection	1) Based on the operation mode selecting command from the remote controller, the operation mode is selected. <table border="1" style="margin: 10px 0;"> <thead> <tr> <th>Remote controller command</th> <th>Control outline</th> </tr> </thead> <tbody> <tr> <td>STOP</td> <td>Air conditioner stops.</td> </tr> <tr> <td>FAN</td> <td>Fan operation</td> </tr> <tr> <td>COOL</td> <td>Cooling operation</td> </tr> <tr> <td>DRY</td> <td>Dry operation</td> </tr> <tr> <td>HEAT</td> <td>Heating operation</td> </tr> <tr> <td>AUTO</td> <td> <ul style="list-style-type: none"> • COOL/HEAT operation mode is automatically selected by TA, TS and TO for operation. • The operation is performed as shown in the following figure according to Ta value at the first time only. (In the range of $TS + \alpha - 1 < TA < TS + \alpha + 1$, Cooling thermostat. OFF (Fan)/Setup air volume operation continues.) <ul style="list-style-type: none"> • α is corrected according to the outside temperature. <table border="1" style="margin: 10px 0;"> <thead> <tr> <th>Outside temp.</th> <th>Correction value (α)</th> </tr> </thead> <tbody> <tr> <td>No TO</td> <td>0K</td> </tr> <tr> <td>$TO \geq 24^\circ\text{C}$</td> <td>-1K</td> </tr> <tr> <td>$24^\circ\text{C} > TO \geq 18^\circ\text{C}$</td> <td>0K</td> </tr> <tr> <td>$TO < 18^\circ\text{C}$</td> <td>+1K</td> </tr> <tr> <td>TO trouble</td> <td>0K</td> </tr> </tbody> </table> </td> </tr> </tbody> </table>	Remote controller command	Control outline	STOP	Air conditioner stops.	FAN	Fan operation	COOL	Cooling operation	DRY	Dry operation	HEAT	Heating operation	AUTO	<ul style="list-style-type: none"> • COOL/HEAT operation mode is automatically selected by TA, TS and TO for operation. • The operation is performed as shown in the following figure according to Ta value at the first time only. (In the range of $TS + \alpha - 1 < TA < TS + \alpha + 1$, Cooling thermostat. OFF (Fan)/Setup air volume operation continues.) <ul style="list-style-type: none"> • α is corrected according to the outside temperature. <table border="1" style="margin: 10px 0;"> <thead> <tr> <th>Outside temp.</th> <th>Correction value (α)</th> </tr> </thead> <tbody> <tr> <td>No TO</td> <td>0K</td> </tr> <tr> <td>$TO \geq 24^\circ\text{C}$</td> <td>-1K</td> </tr> <tr> <td>$24^\circ\text{C} > TO \geq 18^\circ\text{C}$</td> <td>0K</td> </tr> <tr> <td>$TO < 18^\circ\text{C}$</td> <td>+1K</td> </tr> <tr> <td>TO trouble</td> <td>0K</td> </tr> </tbody> </table>	Outside temp.	Correction value (α)	No TO	0K	$TO \geq 24^\circ\text{C}$	-1K	$24^\circ\text{C} > TO \geq 18^\circ\text{C}$	0K	$TO < 18^\circ\text{C}$	+1K	TO trouble	0K	TA: Room temp. TS: Setup temp. TO: Outside temp. K = deg
Remote controller command	Control outline																												
STOP	Air conditioner stops.																												
FAN	Fan operation																												
COOL	Cooling operation																												
DRY	Dry operation																												
HEAT	Heating operation																												
AUTO	<ul style="list-style-type: none"> • COOL/HEAT operation mode is automatically selected by TA, TS and TO for operation. • The operation is performed as shown in the following figure according to Ta value at the first time only. (In the range of $TS + \alpha - 1 < TA < TS + \alpha + 1$, Cooling thermostat. OFF (Fan)/Setup air volume operation continues.) <ul style="list-style-type: none"> • α is corrected according to the outside temperature. <table border="1" style="margin: 10px 0;"> <thead> <tr> <th>Outside temp.</th> <th>Correction value (α)</th> </tr> </thead> <tbody> <tr> <td>No TO</td> <td>0K</td> </tr> <tr> <td>$TO \geq 24^\circ\text{C}$</td> <td>-1K</td> </tr> <tr> <td>$24^\circ\text{C} > TO \geq 18^\circ\text{C}$</td> <td>0K</td> </tr> <tr> <td>$TO < 18^\circ\text{C}$</td> <td>+1K</td> </tr> <tr> <td>TO trouble</td> <td>0K</td> </tr> </tbody> </table>	Outside temp.	Correction value (α)	No TO	0K	$TO \geq 24^\circ\text{C}$	-1K	$24^\circ\text{C} > TO \geq 18^\circ\text{C}$	0K	$TO < 18^\circ\text{C}$	+1K	TO trouble	0K																
Outside temp.	Correction value (α)																												
No TO	0K																												
$TO \geq 24^\circ\text{C}$	-1K																												
$24^\circ\text{C} > TO \geq 18^\circ\text{C}$	0K																												
$TO < 18^\circ\text{C}$	+1K																												
TO trouble	0K																												
3	Room temp. control	1) Adjustment range: Remote controller setup temperature (°C) <table border="1" style="margin: 10px 0;"> <thead> <tr> <th></th> <th>COOL/DRY</th> <th>HEAT</th> <th>AUTO</th> </tr> </thead> <tbody> <tr> <td>Wired type</td> <td>18°C to 29°C</td> <td>18°C to 29°C</td> <td>18°C to 29°C</td> </tr> <tr> <td>Wireless type</td> <td>17°C to 30°C</td> <td>17°C to 30°C</td> <td>17°C to 30°C</td> </tr> </tbody> </table>		COOL/DRY	HEAT	AUTO	Wired type	18°C to 29°C	18°C to 29°C	18°C to 29°C	Wireless type	17°C to 30°C	17°C to 30°C	17°C to 30°C															
	COOL/DRY	HEAT	AUTO																										
Wired type	18°C to 29°C	18°C to 29°C	18°C to 29°C																										
Wireless type	17°C to 30°C	17°C to 30°C	17°C to 30°C																										

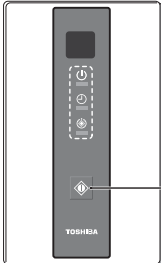

No.	Item	Outline of specifications	Remarks												
3	Room temp. control (Continued)	2) Using the CODE No. 06, the setup temperature in heating operation can be corrected. <table border="1" data-bbox="443 286 1096 394"> <thead> <tr> <th>SET DATA</th> <th>0</th> <th>2</th> <th>4</th> <th>6</th> </tr> </thead> <tbody> <tr> <td>Setup temp. correction</td> <td>+0°C</td> <td>+2°C</td> <td>+4°C</td> <td>+6°C</td> </tr> </tbody> </table> Setting at shipment <table border="1" data-bbox="443 450 754 490"> <tbody> <tr> <td>SET DATA</td> <td>2</td> </tr> </tbody> </table>	SET DATA	0	2	4	6	Setup temp. correction	+0°C	+2°C	+4°C	+6°C	SET DATA	2	Shift of suction temperature in heating operation
SET DATA	0	2	4	6											
Setup temp. correction	+0°C	+2°C	+4°C	+6°C											
SET DATA	2														
4	Automatic capacity control (GA control)	1) Based on the difference between TA and TS, the operation frequency is instructed to the outdoor unit. 2) Cooling operation Every 90 seconds, GA calculates TA-TS, the fluctuation, and the correction amount of compressor frequency $TA(n) - TS(n)$: Room temp. difference n : Detecting counts $TA(n-1) - TS(n)$: Room temp.fluctuation $n - 1$: Detecting counts of 90 seconds before 3) Heating operation Every 1 minute (60 sec.), GA calculates TA-TS, the fluctuation, and the correction amount of compressor frequency. $TS(n) - TA(n)$: Room temp. difference n : Detecting counts $TA(n) - TA(n - 1)$: Room temp.fluctuation $n - 1$: Detecting counts of 1 minute before 4) Dry operation The frequency correction control is same as those of the cooling operation. However the maximum frequency is limited to approximately "S6". Note) When LOW is set up, the maximum frequency is limited to approximately "SB".	Maximum frequency code: S0-SF (16 steps)												
5	Automatic cooling/heating control	1) The judgment of selecting Cooling/Heating mode is carried out as shown belows When TA exceeds Tsh+1.5°C after 10 minutes at thermostat off, the operation mode <div data-bbox="533 1688 1002 1883" data-label="Figure"> </div> When TA is lower Tsc-1.5°C after 10 minutes at thermostat off, the operation mode changes COOL to HEAT mode. 2) For the automatic capacity control after judgment of cooling/heating, see Item 4. 3) For temperature correction of room temp. control at automatic heating, see Item 3.	TSC: Setup temp. in cooling operation TSH: Setup temp. in heating operation + temp. correction of room temp. control												





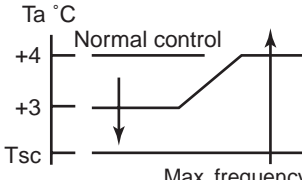
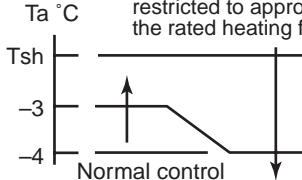
No.	Item	Outline of specifications	Remarks
6	Fan speed control	<p>1) Operation with (HH), (H), (L) or [AUTO] mode is carried out by the command from the remote controller.</p> <p>2) When the fan speed mode [AUTO] is selected, the fan speed varies by the difference between TA and TS.</p> <p><COOL></p> <p>• Controlling work using thermostat of remote controller is same as the case of using body thermostat.</p> <p>• If the fan speed has changed automatically, it is not changed for 3 minutes. However when the air volume is exchanged, the fan speed changes.</p> <p>• When cooling operation started, the fan speed will be selected along a down arrow in figure.</p> <p>• When "TA-TSC" is just on boundary the fan speed won't change.</p> <p>• () indicated the fan speed at automatic cooling operation.</p> <p><HEAT></p> <p>the value with [] indicates the temperature at using remote controller thermostat. the value without [] indicates the temperature at using body thermostat of indoor unit.</p> <p>• If the fan speed has changed automatically, it is not changed for 1 minute.</p> <p>• When heating operation starts, the fan speed will be selected along an up arrow in figure.</p> <p>• When 'TSH-TA' is just on boundary, the fan speed won't change.</p> <p>• () indicates the fan speed at automatic heating operation.</p> <p>• In $TC \geq 60^{\circ}\text{C}$, the fan speed increases by 1 step.</p>	<p>HH > H+ > H > L+ > L > UL</p> <p>TC: Indoor heat exchanger sensor temperature</p>





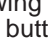

No.	Item	Outline of specifications	Remarks																																																																																																																																																																																																																																																															
6	Fan speed control (Continued)	<table border="1" data-bbox="464 226 1347 613"> <thead> <tr> <th>CODE No.</th> <th colspan="2">50Pa</th> <th colspan="2">83Pa</th> <th colspan="2">117Pa</th> <th colspan="2">150Pa</th> <th colspan="2">183Pa</th> <th colspan="2">217Pa</th> <th colspan="2">250Pa</th> </tr> <tr> <td>DN : [5d]</td> <td colspan="2">0001</td> <td colspan="2">0002</td> <td colspan="2">0004</td> <td colspan="2">0000</td> <td colspan="2">0005</td> <td colspan="2">0003</td> <td colspan="2">0006</td> </tr> <tr> <td>SW501 (1)-(2)</td> <td colspan="2">ON-OFF</td> <td colspan="2">-</td> <td colspan="2">-</td> <td colspan="2">OFF-OFF</td> <td colspan="2">-</td> <td colspan="2">OFF-ON</td> <td colspan="2">ON-ON</td> </tr> <tr> <th>TAP</th> <th>HEAT</th> <th>COOL</th> <th>HEAT</th> <th>COOL</th> <th>HEAT</th> <th>COOL</th> <th>HEAT</th> <th>COOL</th> <th>HEAT</th> <th>COOL</th> <th>HEAT</th> <th>COOL</th> <th>HEAT</th> <th>COOL</th> </tr> </thead> <tbody> <tr><td>F1</td><td></td><td></td><td></td><td></td><td></td><td></td><td></td><td></td><td></td><td></td><td></td><td></td><td>HH</td><td>HH</td></tr> <tr><td>F2</td><td></td><td></td><td></td><td></td><td></td><td></td><td></td><td></td><td></td><td></td><td>HH</td><td>HH</td><td>H+</td><td>H+</td></tr> <tr><td>F3</td><td></td><td></td><td></td><td></td><td></td><td></td><td></td><td></td><td>HH</td><td>HH</td><td>H+</td><td>H+</td><td></td><td></td></tr> <tr><td>F4</td><td></td><td></td><td></td><td></td><td></td><td>HH</td><td>HH</td><td>HH</td><td>H+</td><td>H+</td><td></td><td></td><td></td><td></td></tr> <tr><td>F5</td><td></td><td></td><td></td><td>HH</td><td>HH</td><td>H+</td><td>H+</td><td></td><td></td><td></td><td></td><td></td><td>H</td><td>H</td></tr> <tr><td>F6</td><td></td><td></td><td>HH</td><td></td><td>H+</td><td>H+</td><td></td><td></td><td></td><td></td><td>H</td><td>H</td><td>L+</td><td>L+</td></tr> <tr><td>F7</td><td>HH</td><td>HH</td><td>H+</td><td>H+</td><td></td><td></td><td></td><td></td><td>H</td><td>H</td><td></td><td></td><td></td><td></td></tr> <tr><td>F8</td><td>H+</td><td>H+</td><td></td><td></td><td>H</td><td>H</td><td>H</td><td>H</td><td>L+</td><td>L+</td><td>L+</td><td>L+</td><td></td><td></td></tr> <tr><td>F9</td><td></td><td></td><td>H</td><td>H</td><td>L+</td><td>L+</td><td>L+</td><td>L+</td><td></td><td></td><td></td><td></td><td>L</td><td>L</td></tr> <tr><td>FA</td><td>H</td><td>H</td><td>L+</td><td>L+</td><td></td><td></td><td></td><td></td><td>L</td><td>L</td><td>L</td><td>L</td><td></td><td></td></tr> <tr><td>FB</td><td>L+</td><td>L+</td><td></td><td></td><td>L</td><td>L</td><td>L</td><td>L</td><td></td><td></td><td></td><td></td><td></td><td></td></tr> <tr><td>FC</td><td>L</td><td>L</td><td>L</td><td>L</td><td></td><td></td><td></td><td></td><td></td><td></td><td></td><td></td><td></td><td></td></tr> <tr><td>FD</td><td>LL</td><td>LL</td><td>LL</td><td>LL</td><td>LL</td><td>LL</td><td>LL</td><td>LL</td><td>LL</td><td>LL</td><td>LL</td><td>LL</td><td>LL</td><td>LL</td></tr> </tbody> </table> <p data-bbox="459 640 1193 853"> 3) In heating operation, the fan speed changes to [UL] if thermostat is turned off. 4) If $TA \geq 25^{\circ}\text{C}$ when heating operation has started or defrost operation has been cleared, the air conditioner operates with (H) mode or higher mode for 1 minute after T_c entered in E zone of cold air draft preventive control (No. 7). </p>	CODE No.	50Pa		83Pa		117Pa		150Pa		183Pa		217Pa		250Pa		DN : [5d]	0001		0002		0004		0000		0005		0003		0006		SW501 (1)-(2)	ON-OFF		-		-		OFF-OFF		-		OFF-ON		ON-ON		TAP	HEAT	COOL	HEAT	COOL	HEAT	COOL	HEAT	COOL	HEAT	COOL	HEAT	COOL	HEAT	COOL	F1													HH	HH	F2											HH	HH	H+	H+	F3									HH	HH	H+	H+			F4						HH	HH	HH	H+	H+					F5				HH	HH	H+	H+						H	H	F6			HH		H+	H+					H	H	L+	L+	F7	HH	HH	H+	H+					H	H					F8	H+	H+			H	H	H	H	L+	L+	L+	L+			F9			H	H	L+	L+	L+	L+					L	L	FA	H	H	L+	L+					L	L	L	L			FB	L+	L+			L	L	L	L							FC	L	L	L	L											FD	LL	LL	LL	LL	LL	LL	LL	LL	LL	LL	LL	LL	LL	LL	
CODE No.	50Pa		83Pa		117Pa		150Pa		183Pa		217Pa		250Pa																																																																																																																																																																																																																																																					
DN : [5d]	0001		0002		0004		0000		0005		0003		0006																																																																																																																																																																																																																																																					
SW501 (1)-(2)	ON-OFF		-		-		OFF-OFF		-		OFF-ON		ON-ON																																																																																																																																																																																																																																																					
TAP	HEAT	COOL	HEAT	COOL	HEAT	COOL	HEAT	COOL	HEAT	COOL	HEAT	COOL	HEAT	COOL																																																																																																																																																																																																																																																				
F1													HH	HH																																																																																																																																																																																																																																																				
F2											HH	HH	H+	H+																																																																																																																																																																																																																																																				
F3									HH	HH	H+	H+																																																																																																																																																																																																																																																						
F4						HH	HH	HH	H+	H+																																																																																																																																																																																																																																																								
F5				HH	HH	H+	H+						H	H																																																																																																																																																																																																																																																				
F6			HH		H+	H+					H	H	L+	L+																																																																																																																																																																																																																																																				
F7	HH	HH	H+	H+					H	H																																																																																																																																																																																																																																																								
F8	H+	H+			H	H	H	H	L+	L+	L+	L+																																																																																																																																																																																																																																																						
F9			H	H	L+	L+	L+	L+					L	L																																																																																																																																																																																																																																																				
FA	H	H	L+	L+					L	L	L	L																																																																																																																																																																																																																																																						
FB	L+	L+			L	L	L	L																																																																																																																																																																																																																																																										
FC	L	L	L	L																																																																																																																																																																																																																																																														
FD	LL	LL	LL	LL	LL	LL	LL	LL	LL	LL	LL	LL	LL	LL																																																																																																																																																																																																																																																				
7	Cold air draft preventive control	<p data-bbox="459 1061 1193 1279"> 1) In heating operation, the indoor fan is controlled based on the detected temperature of TC sensor or TCJ sensor. As shown below, the upper limit of the fan speed is restricted in spite of the fan speed set on remote control. However B zone is assumed as C zone for 6 minutes after the compressor has started. In defrost operation, the control value of TC is shifted $+6^{\circ}\text{C}$. </p> 	<p data-bbox="1219 1061 1442 1205"> In A zone while thermostat is ON, [PRE-HEAT  (Heating ready)] is displayed. </p>																																																																																																																																																																																																																																																															

No.	Item	Outline of specifications	Remarks
8	Freeze preventive control (Low temperature release)	<p>1) The cooling operation (including Dry operation) is performed as follows based on the detected temperature of TC sensor or TCJ sensor.</p> <p>When [J] zone is detected for 6 minutes (Following figure), the commanded frequency of compressor is decreased. After then the commanded frequency changes every 30 seconds while operation is performed in [J] zone.</p> <p>In [K] zone, time counting is interrupted and the operation is held.</p> <p>When [I] zone is detected, the timer is cleared and the operation returns to the normal operation.</p> <p>If the commanded frequency becomes S0 because the operation continues in [J] zone, the return temperature A is raised from 5°C to 12°C until [I] zone is detected and the indoor fan speed is operated with L tap.</p> <p>TC, TCJ °C</p>  <p>In heating operation, the freeze-preventive control works if 4-way valve is not exchanged and the following conditions are satisfied. (However the temperature for J zone dashing control is changed from 2°C to -5°C.)</p> <p><Conditions></p> <ul style="list-style-type: none"> • When ① or ② is established 5 minutes after activation. ① $TC_n \leq TC(n-1) - 5$ ② $TC_n < TC(n-1) - 1$ and $TC_n \leq TA < 5^\circ C$ 	<p>TCJ: Indoor heat exchanger sensor temperature</p> <p>TCn: TC temperature when 5 minutes elapsed after activation</p> <p>TC (n – 1): TC temperature at start time</p>

No.	Item	Outline of specifications	Remarks						
9	High-temp. release control	<p>1) The heating operation is performed as follows based on the detected temperature of TC sensor or TCJ sensor.</p> <ul style="list-style-type: none"> • When [M] zone is detected, the commanded frequency is decreased. After then the commanded frequency changes every 30 seconds while operation is performed in [M] zone. • In [N] zone, the commanded frequency is held. • When [L] zone is detected, the commanded frequency is returned to the original value by approx. 6Hz every 60 seconds. <p>Setup at shipment</p> <table border="1" data-bbox="435 600 678 719"> <thead> <tr> <th colspan="2">Control temp. °C</th> </tr> <tr> <th>A</th> <th>B</th> </tr> </thead> <tbody> <tr> <td>56 (54)</td> <td>52 (52)</td> </tr> </tbody> </table>  <p>NOTE: When the operation has started or when TC or TCJ < 30°C after operation start, the release temperature is controlled between values in parentheses of A and B.</p>	Control temp. °C		A	B	56 (54)	52 (52)	<p>However this control is ignored in case of the follower unit of the twin.</p> <p>Same status as that when “thermostat-OFF” (status that the air conditioner enters in the room temp. monitor mode when the temperature reached the setup temperature on the remote controller)</p>
Control temp. °C									
A	B								
56 (54)	52 (52)								
10	Drain pump control	<ol style="list-style-type: none"> 1) In cooling operation (including Dry operation), the drain pump is usually operated. 2) If the float switch works while drain pump drives, the compressor stops, the drain pump continues the operation, and a check code is output. 3) If the float switch works while drain pump stops, the compressor stops and the drain pump operates. If the float switch keeps operating for approx. 4 minutes, a check code is output. 	<p>Check code [P10] Drain pump kit TCB-DP40DE (Sold separately)</p>						
11	After-heat elimination	<p>When heating operation stops, in some cases, the indoor fan operates with (L) for approx. 30 seconds.</p>							

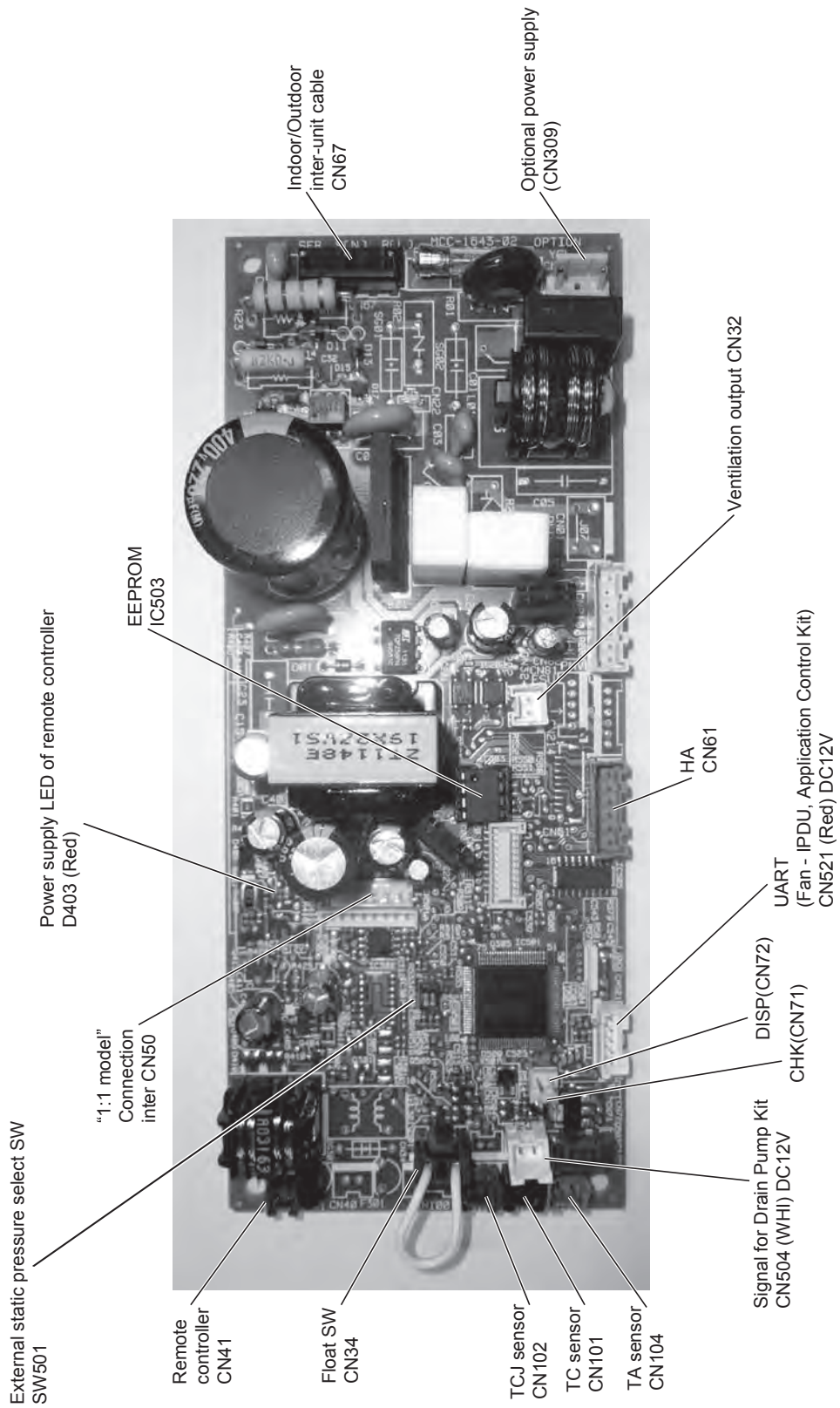
No.	Item	Outline of specifications	Remarks
12	Frequency fixed operation (Test run)	<p><In case of wired remote controller></p> <ol style="list-style-type: none"> 1) When pushing [CHK] button for 4 seconds or more, [TEST] is displayed on the display screen and the mode enters in Test run mode. 2) Push [ON/OFF] button. 3) Using [MODE] button, set the mode to [COOL] or [HEAT]. <ul style="list-style-type: none"> • Do not use other mode than [COOL]/[HEAT] mode. • During test run operation, the temperature cannot be adjusted. • Trouble is detected as usual. • A frequency fixed operation is performed. 4) After the test run, push [ON/OFF] button to stop the operation. (Display in the display part is same as the procedure in Item 1.) 5) Push [CHK] button to clear the test run mode. ([TEST] display in the display part disappears and the status returns to the normal stop status.) <p><In case of wireless remote controller></p> <ol style="list-style-type: none"> 1) When TEMPORARY button is pushed for 10 seconds or more, "Pi!" sound is heard and the operation changes to test run. After approx. 3 minutes, a cooling operation starts forcibly. Check cool air starts blowing. If the operation does not start, check wiring again. 2) To stop a test operation, push TEMPORARY button once again (Approx. 1 second). Check wiring / piping of the indoor and outdoor units in test run. <div style="text-align: center;">  <p>TEMPORARY button</p> </div>	Command frequency is approximately [S7]
13	Filter sign display (Except wireless type)	<ol style="list-style-type: none"> 1) The operation time of the indoor fan is calculated, the filter reset signal is sent to the remote controller when the specified time (2500H) has passed, and it is displayed on LCD. 2) When the filter reset signal has been received from the remote controller, time of the calculation timer is cleared. In this case, the measurement time is reset if the specified time has passed, and display on LCD disappears. 	[FILTER ] goes on.

No.	Item	Outline of specifications	Remarks
14	Central control mode selection	<p>1) Setting at the central controller side enables to select the contents which can be operated on the wired remote controller.</p> <p>2) Setup contents</p> <ul style="list-style-type: none"> • In case of TCC-LINK Central remote controller (TCB-SC642TLE2) <p>[Individual]: Operated by wired remote controller ([After-push precedence])</p> <p>[Central 1]: START / STOP operation by wired remote controller is unavailable.</p> <p>[Central 2]: START / STOP, MODE change and TEMP. setting by wired remote controller are unavailable.</p> <p>[Central 3]: MODE change and TEMP. setting by wired remote controller are unavailable.</p> <p>[Central 4]: MODE change by wired remote controller is unavailable.</p> <ul style="list-style-type: none"> • In case of the wireless remote controller, the contents to be operated are same though the display lamp does not change. <p>If an item prohibited by the central control mode is operated from the remote controller, it is notified with receiving sound Pi, Pi, Pi, Pi (5 times)</p>	<p>Display at wired remote controller side (No display)</p> <p>[] goes on.</p> <p>[] goes on.</p> <p>[] goes on.</p> <p>[] goes on.</p>
15	Saving operation	<p>1) Selecting [AUTO] mode enables an saving mode to be operated.</p> <p>2) The setup temperature is shifted (corrected) in the range not to lose the comfort ability according to input values of various sensors.</p> <p>3) Data (Input value room temp. Ta, Outside temp. To, Air volume, Indoor heat exchanger sensor temp. Tc) for 20 minutes are taken the average to calculate correction value of the setup temperature.</p> <p>4) The setup temperature is shifted every 20 minutes, and the shifted range is as follows.</p> <p style="padding-left: 40px;">In cooling time: +1.5 to - 1.0K In heating time: -1.5 to +1.0K.</p>	
16	Max. frequency cut control	<p>1) This control is operated by selecting [AUTO] operation mode.</p> <p>2) COOL operation mode: It is controlled according to the following figure if $T_o < 28^{\circ}\text{C}$.</p> <div style="text-align: center;">  <p style="text-align: center;">Max. frequency is restricted to approximately the rated cooling frequency</p> </div> <p>3) HEAT operation mode: It is controlled according to the following figure if $T_o > 15^{\circ}\text{C}$.</p> <div style="text-align: center;">  <p style="text-align: center;">Max. frequency is restricted to approximately the rated heating frequency</p> </div>	

No.	Item	Outline of specifications	Remarks
17	DC motor	<p>1) When the fan operation has started, positioning of the stator and the rotor are performed. (Moves slightly with tap sound)</p> <p>2) The motor operates according to the command from the indoor controller.</p> <p>Notes)</p> <ul style="list-style-type: none"> • When a fan lock is found, the air conditioner stops, and trouble is displayed. • If static pressure of the used duct does not match with the setup value of static pressure, which was decided in the static pressure setting code No. [5D], the air conditioner may stop or a check code may be displayed. 	Check code [P12]
18	Energy saving operation	<p>1) Turn on  button on the remote controller.</p> <p>2) During operation of save operation,  lights on the wired remote controller.</p> <p>3) During save operation, the current release control is performed with the restriction ratio set in EEPROM on the outdoor unit.</p> <p>4) The restriction ratio can be set by keeping  button pushed for 4 seconds or more on the remote controller.</p> <p>5) When validating the save operation, the next operation starts with save operation valid because contents are held even when operation stops, operation mode changes or power supply is reset.</p> <p>6) The restriction ratio can be set by changing the setup data of CODE No. (DN) [C2] in the range of 50 to 100% (every 1%, Setting at shipment: 75%).</p>	<p>Carry out setting operation during stop of the unit; otherwise the unit stops operation.</p> <p>For the setup operation, refer to “How to set contents of save operation” in Section “9. SETUP AT LOCAL SITE AND OTHERS”.</p>
19	8°C heating/Frost protective operation	<p>1) This function is intended for the cold latitudes and performs objective heating operation (8°C heating operation).</p> <p>2) Using the indoor CODE No. [D1] (1 bit), Valid/Invalid of this function is set up at the customer’s side.</p> <p>* The setup by CODE No. is Invalid [0]/Valid [1] and Invalid [0] has been set at the shipment.</p> <p>3) This function starts operation by pushing temperature button  during heating operation for 4 seconds or more after temperature reached the minimum set temperature.</p> <p>4) To stop/release this operation, select and execute one from the following operations.</p> <p>① Push  button:</p> <p>Heating operation (18°C setting) continues.</p> <p>② Push [START/STOP] button:</p> <p>Air conditioner stops. (Heating 18°C operation at the next start)</p> <p>③ Push  :</p> <p>Other operation mode is selected and the operation continues.</p> <p>5) The indoor fan stops to protect the compressor for 2 minutes after start of heating operation (thermostat-ON) by this function.</p>	<p>In a group connection, if there is even one combination with other unit, “This function is not provided.” is displayed.</p> <p>The setup temperature jumps from [18] to [8].</p>

6-3. Indoor Print Circuit Design Board

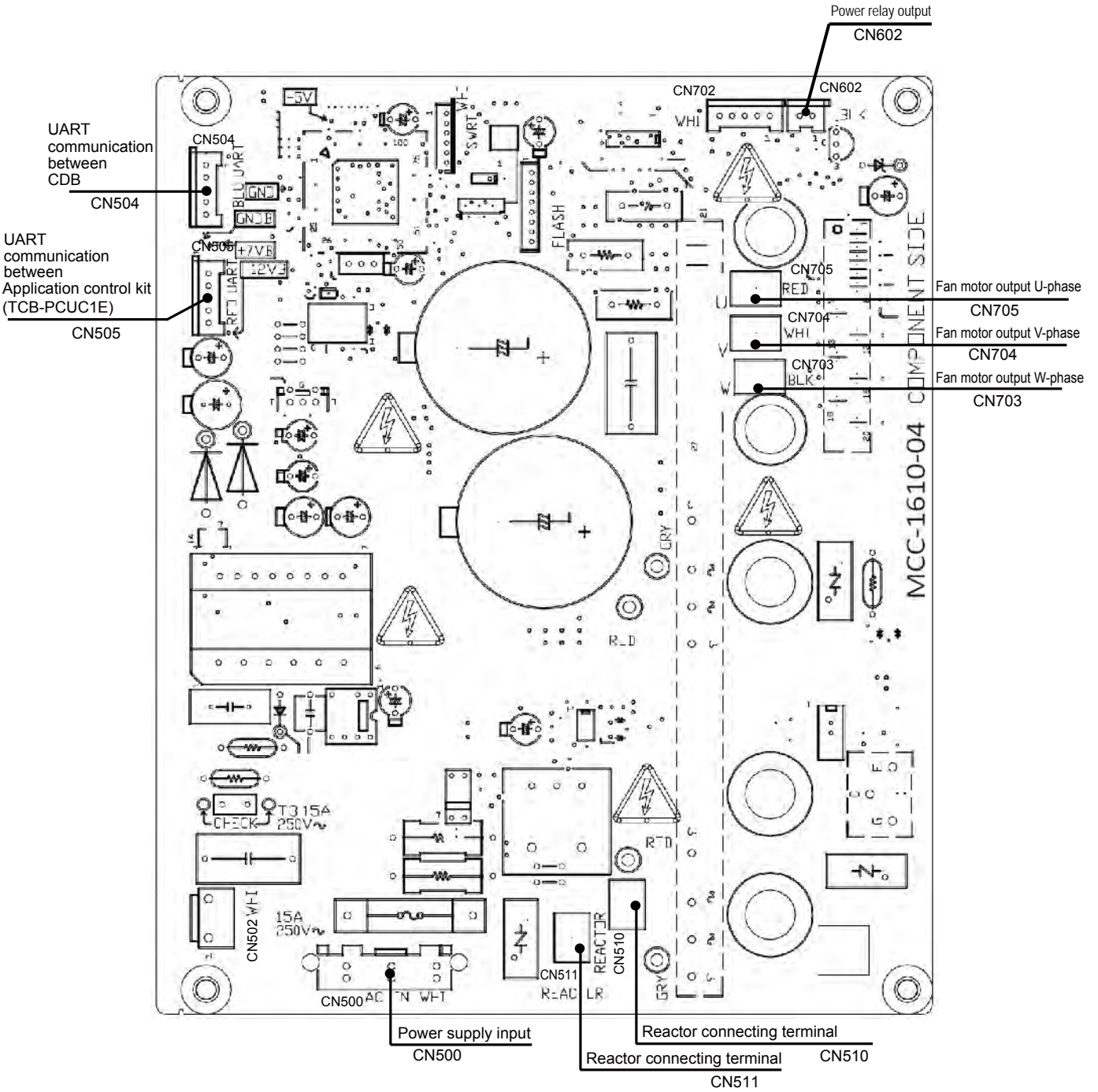
<MCC-1643>



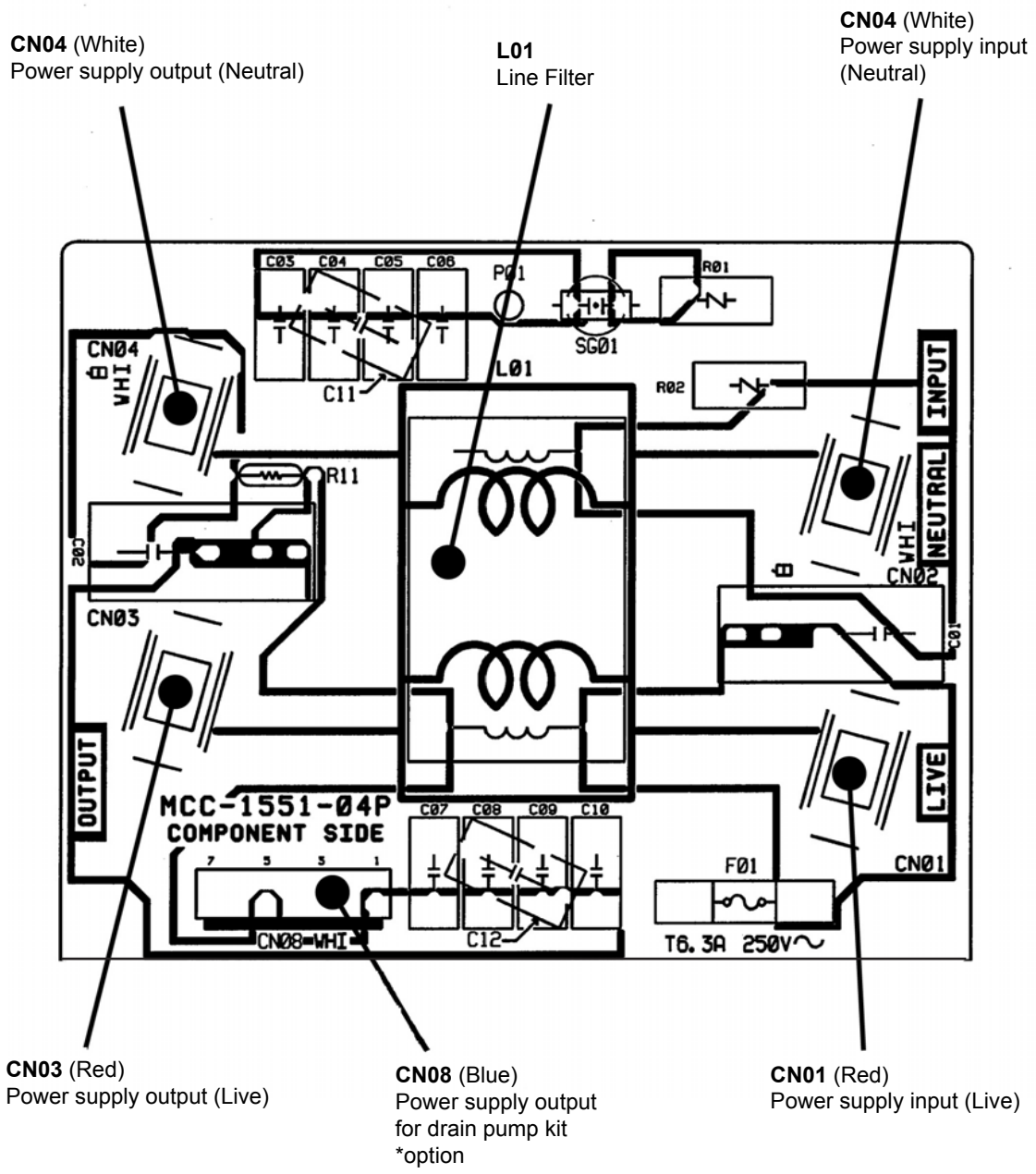
6-3-1. Optional connector specifications of Indoor Circuit Design Board

Function	Connector No.	Pin No.	Specifications	Remarks
Ventilation output	CN32	1	DC12V	Setting at shipment: Interlock of ON by indoor unit operation, with OFF by stop operation * The single operation setting by FAN button on the remote controller is performed on the remote controller (DN [31] = 0000 → 0001)
		2	Output (Open collector)	
HA	CN61	1	ON/OFF input	HA ON/OFF input (J01: YES/NO=Pulse (At shipment from factory) /Static input selection)
		2	0V	
		3	Remote controller prohibited input	Permission/Prohibition of remote controller operation stop is performed by input.
		4	Operation output (Open collector)	Operation ON (Answer back of HA)
		5	DC12V	
		6	Warning output (Open collector)	Warning output ON
CHK Operation check	CN71	1		This check is used to check indoor operation. (Performs operation of indoor fan "H" and Drain pump ON without communication with outdoor and remote controller)
		2	0V	
DISP Exhibition mode	CN72	1		Communication is available by indoor unit and remote controller only.
		2	0V	
UART (FAN-IPDU, Option control kit)	CN521	1	12V	Connected FAN-IPDU (MCC-1610) Connected Application control kit (TCB-PCUC1E)
		2	5V	
		3	Transmission	
		4	Receive	
		5	0V	

6-3-2. Fan IPDU P.C. Board (MCC-1610)



6-3-3. Noise filter (MCC-1551)



7. TROUBLESHOOTING

7-1. Summary of Troubleshooting

<Wired remote controller type>

1. Before troubleshooting

1) Required tools/instruments

- ⊕ and ⊖ screwdrivers, spanners, radio cutting pliers, nippers, push pins for reset switch
- Tester, thermometer, pressure gauge, etc.

2) Confirmation points before check

a) The following operations are normal.

1. Compressor does not operate.

- Is not 3-minutes delay (3 minutes after compressor OFF)?
- Is not the outdoor unit in standby status though the remote controller reached the setup temperature?
- Does not timer operate during fan operation?
- Is not an overflow trouble detected on the indoor unit?
- Is not outside high-temperature operation controlled in heating operation?

2. Indoor fan does not rotate.

- Does not cool air discharge preventive control work in heating operation?

3. Outdoor fan does not rotate or air volume changes.

- Does not high-temperature release operation control work in heating operation?
- Does not outside low-temperature operation control work in cooling operation?
- Is not defrost operation performed?

4. ON/OFF operation cannot be performed from remote controller.

- Is not automatic address being set up?
(When the power is turned on at the first time or when indoor unit address setting is changed, the operation cannot be performed for maximum approx. 5 minutes after power-ON.)
- Is not being carried out a test run by operation of the outdoor P.C. board?

b) Did you return the cabling to the initial positions?

c) Are connecting cables of indoor unit and remote controller correct?

2. Troubleshooting procedure

When a trouble occurred, check the parts along with the following procedure.



NOTE

For cause of a trouble, power conditions or malfunction/erroneous diagnosis of microcomputer due to outer noise is considered except the items to be checked. If there is any noise source, change the cables of the remote controller to shield cables.

<Wireless remote controller type>

1. Before troubleshooting

1) Required tools/instruments

- ⊕ and ⊖ screwdrivers, spanners, radio cutting pliers, nippers, etc.
- Tester, thermometer, pressure gauge, etc.

2) Confirmation points before check

a) The following operations are normal.

1. Compressor does not operate.

- Is not 3-minutes delay (3 minutes after compressor OFF)?
- Is not the outdoor unit in standby status though the remote controller reached the setup temperature?
- Does not timer operate during fan operation?
- Is not an overflow trouble detected on the indoor unit?
- Is not outside high-temperature operation controlled in heating operation?

2. Indoor fan does not rotate.

- Does not cool air discharge preventive control work in heating operation?

3. Outdoor fan does not rotate or air volume changes.

- Does not high-temperature release operation control work in heating operation?
- Does not outside low-temperature operation control work in cooling operation?
- Is not defrost operation performed?

4. ON/OFF operation cannot be performed from remote controller.

- Is not forced operation performed?
- Is not the control operation performed from outside/remote side?
- Is not automatic address being set up?
- Is not being carried out a test run by operation of the outdoor controller?

b) Did you return the cabling to the initial positions?

c) Are connecting cables between indoor unit and receiving unit correct?

2. Troubleshooting procedure

(When the power is turned on at the first time or when indoor unit address setting is changed, the operation cannot be performed for maximum approx. 5 minutes after power-ON.)

When a trouble occurred, check the parts along with the following procedure.



Outline of judgment

The primary judgment to check whether a trouble occurred in the indoor unit or outdoor unit is carried out with the following method.

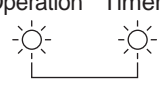
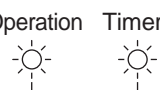
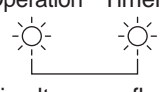
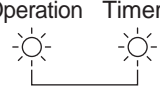


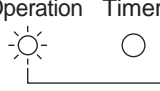
Method to judge the erroneous position by display panel of the indoor unit
(lamp display of the wireless receiving part)

The indoor unit monitors the operating status of the air conditioner, and the blocked contents of self-diagnosis are displayed restricted to the following cases if a protective circuit works.

● : Go off, ○ : Go on, ☼ : Flash (0.5 sec.)



Lamp indication	Check code	Cause of trouble occurrence		
Operation Timer Ready ● ● ● No indication at all	—	Power supply OFF or miswiring between lamp indication unit and indoor unit		
Operation Timer Ready ☼ ● ● Flash	E01	Receiving trouble } Receiving unit } Sending trouble } Communication stop } Miswiring or wire connection trouble between receiving unit and indoor unit		
	E02			
	E03			
	Operation Timer Ready ☼ ● ● Flash	E08	Duplicated indoor unit No. } Duplicated master units of remote controller } Setup trouble	
		E09		
		E10	UART communication trouble	
		E18	Wire connection trouble between indoor units, Indoor power OFF (Communication stop between indoor header and follower)	
Operation Timer Ready ● ● ☼ Flash	E04	Miswiring between indoor unit and outdoor unit or connection trouble (Communication stop between indoor and outdoor units)		
Operation Timer Ready ● ☼ ☼ Alternate flash	P10	Overflow was detected. } Indoor DC fan trouble } Protective device of indoor unit worked.		
	P12			
Operation Timer Ready ☼ ● ☼ Alternate flash	P03	Outdoor unit discharge temp. trouble } Outdoor high pressure system trouble } Protective device of outdoor unit worked. *1		
	P04			
	P05 P07 P15	Negative phase detection trouble } Heat sink overheat trouble } Gas leak detection trouble } Outdoor unit trouble		
			P19	4-way valve system trouble (Indoor or outdoor unit judged.)
			P20	Outdoor unit high pressure protection
	P22 P26 P29	Outdoor unit: Outdoor unit trouble } Outdoor unit: Inverter Idc operation } Outdoor unit: Position detection trouble } Protective device of outdoor unit worked. *1		
			P31	Stopped because trouble of other indoor unit in a group (Check codes of E03/L03/L07/L08)

*1: These are representative examples and the check code differs according to the outdoor unit to be combined.

Lamp indication	Check code	Cause of trouble occurrence
Operation Timer Ready  Alternate flash	F01	Heat exchanger sensor (TCJ) trouble Heat exchanger sensor (TC) trouble Heat exchanger sensor (TA) trouble Indoor unit sensor trouble
	F02	
	F10	
Operation Timer Ready  Alternate flash	F04	Discharge temp. sensor (TD) trouble Temp. sensor (TE) trouble Temp. sensor (TL) trouble Temp. sensor (TO) trouble Temp. sensor (TS) trouble Temp. sensor (TH) trouble Temp. Sensor miswiring (TE, TS) Sensor trouble of outdoor unit *1
	F06	
	F07	
	F08	
	F12	
	F13	
	F15	
Operation Timer Ready  Simultaneous flash	F29	Indoor EEPROM trouble
Operation Timer Ready  Simultaneous flash	F31	Outdoor EEPROM trouble
Operation Timer Ready  Flash	H01	Compressor break down Compressor lock Current detection circuit trouble Case thermostat worked. Outdoor unit low pressure system trouble Outdoor compressor system trouble *1
	H02	
	H03	
	H04	
	H06	
Operation Timer Ready  Simultaneous flash	L03	Duplicated header indoor units There is indoor unit of group connection in individual indoor unit. Unsetting of group address Missed setting (Unset indoor capacity) → AUTO address * If group construction and address are not normal when power supply turned on, automatically goes to address setup mode.
	L07	
	L08	
	L09	
Operation Timer Ready  Simultaneous flash	L10	Unset model type (Service board) Duplicated indoor central addresses Outdoor unit and other trouble Outside interlock trouble Negative phase trouble Others
	L20	
	L29	
	L30	
	L31	

*1: These are representative examples and the check code differs according to the outdoor unit to be combined.

Others (Other than Check Code)

Lamp indication	Check code	Cause of trouble occurrence
Operation Timer Ready  Simultaneous flash	—	During test run
Operation Timer Ready  Alternate flash	—	Disagreement cool/heat (Automatic cool/heat setting to automatic cool/heat prohibited mode)

7-2. Check Code List (Indoor)(Indoor unit detected)

Check code indication TCC-LINK central & Remote controller	Representative defective position	Explanation of trouble contents	Air conditioner operation	
			Automatic reset	Operation continuation
E03	Regular communication trouble between indoor and remote controller	No communication from remote controller and network adapter (Also no communication from central control system)	○	×
E04	Indoor/Outdoor serial trouble	There is trouble on serial communication between indoor and outdoor units	○	×
E08	Duplicated indoor addresses	Same address as yours was detected.	○	×
E10	UART communication trouble	Communication trouble between CDB(MCC-1643) and FAN-IPDU(MCC-1610)	○	×
E18	Regular communication trouble between indoor master and follower units	Regular communication between indoor master and follower units is impossible.	○	×
F01	Indoor unit, Heat exchanger (TC-J) trouble	Open/short was detected on heat exchanger (TC-J).	○	×
F02	Indoor unit, Heat exchanger (TC) trouble	Open/short was detected on heat exchanger (TC).	○	×
F10	Indoor unit, Room temp. sensor (TA) trouble	Open/short was detected on room temp. sensor (TA).	○	×
F29	Indoor unit, other indoor PC board trouble	EEPROM trouble (Other trouble may be detected. If no trouble, automatic address is repeated.	×	×
L03	Duplicated setting of indoor group master unit	There are multiple master units in a group.	×	×
L07	There is group cable in individual indoor unit.	When even one group connection indoor unit exists in individual indoor unit.	×	×
L08	Unset indoor group address	Indoor group address is unset.	×	×
L09	Unset indoor capacity	Capacity of indoor unit is unset.	×	×
L20	Duplicated central control system address	Duplicated setting of central control system address	○	×
L30	Outside trouble input to indoor unit (Interlock)	Abnormal stop by outside trouble (CN&O) input	×	×
P01	Indoor unit, AC fan trouble	Trouble of indoor AC fan was detected. (Fan motor thermal relay worked.)	×	×
P10	Indoor unit, overflow detection	Floater switch worked.	×	×
P12	Indoor unit, DC fan trouble	Indoor DC fan trouble (Over-current/Lock, etc.) was detected. Static pressure trouble set	×	×
P19	4-way valve system trouble	In heating operation, trouble was detected by temp. down of indoor heat exchanger sensor.	○	×
P31	Other indoor unit trouble	Follower unit in group cannot operate by warning from [E03/L03/L07/L08] of master unit.	○	×

◇ When this warning was detected before group construction/address check finish at power supply was turned on, the mode shifts automatically to AUTO address setup mode.

(Remote controller detected)

Check code indication Remote controller	Representative defective position	Explanation of trouble contents	Air conditioner operation	
			Automatic reset	Operation continuation
E01	No master remote controller. Remote controller communication (Receive) trouble	Signal cannot be received from indoor unit. Master remote controller was not set. (including 2 remote controllers)	—	—
E02	Remote controller communication (Send) trouble	Signal cannot be sent to indoor unit.	—	—
E09	Duplicated master remote controller	In 2-remote controller control, both were set as master. (Indoor master unit stops warning and follower unit continues operation.)	×	△

(Central control devices detected)

Check code indication TCC-LINK central	Representative defective position	Explanation of trouble contents	Air conditioner operation	
			Automatic reset	Operation continuation
C05	Central control system communication (send) trouble	Signal sending operation of central control system is impossible. There are multiple same central devices.	—	—
C06	Central control system communication (receive) trouble	Signal receiving operation of central control system is impossible.	—	—
C12	General-purpose device control interface batched warning	Trouble on device connected to general-purpose device control interface of exclusive to TCC-LINK	—	—
P30	Group follower unit is defective.	Group follower unit is defective. (For remote controller, above-mentioned [***] details are displayed with unit No.)	—	—

NOTE: Even for the same contents of trouble such as communication trouble, the display of check code may differ according to detection device.
When remote controller or central controller detects trouble, it is not necessarily related to operation of the air conditioner. In this list, the check codes that outdoor unit detects are not described.

Check Code List

Trouble detected by indoor unit

Operation of diagnostic function				Judgment and measures
Check code	Cause of operation	Status of air conditioner	Condition	
E03	No communication from remote controller (including wireless) and communication adapter	Stop (Automatic reset)	Displayed when check code is detected	1. Check cables of remote controller and communication adapters. • Remote controller LCD display OFF (Disconnection) • Central remote controller [97] check code
E04	The serial signal is not output from outdoor unit to indoor unit. • Miswiring of inter-unit wire • Defective serial sending circuit on outdoor P.C. board • Defective serial receiving circuit on indoor P.C. board	Stop (Automatic reset)	Displayed when check code is detected	1. Outdoor unit does not completely operate. • Inter-unit wire check, correction of miswiring • Check outdoor P.C. board. Correct wiring of P.C. board. 2. When outdoor unit normally operates Check P.C. board (Indoor receiving / Outdoor sending).
E08	Duplicated indoor unit address	Stop	Displayed when check code is detected	1. Check whether remote controller connection (Group/Individual) was changed or not after power supply turned on (Finish of group construction/Address check). * If group construction and address are not normal when the power has been turned on, the mode automatically shifts to address setup mode. (Resetting of address)
L03	Duplicated indoor header unit			
L07	There is group wire in individual indoor unit.			
L08	Unset indoor group address			
L09	Unset indoor capacity	Stop	Displayed when check code is detected	1. Set indoor capacity (DN=11)
L30	Abnormal input of outside interlock	Stop	Displayed when check code is detected	1. Check outside devices. 2. Check indoor P.C. board.
P10	Float switch operation • Float circuit, Disconnection, Coming-off, Float switch contact trouble	Stop	Displayed when check code is detected	1. Trouble of drain pump 2. Clogging of drain pump 3. Check float switch. 4. Check indoor P.C. board.
P12	Indoor DC fan trouble	Stop	Displayed when check code is detected	1. Position detection trouble 2. Indoor fan driving part over-current protective circuit operation 3. Indoor fan lock 4. Indoor P.C. board check 5. Static pressure trouble set
P19	4-way valve system trouble • After heating operation has started, indoor heat exchangers temp. is down.	Stop (Automatic reset)	Displayed when check code is detected	1. Check 4-way valve. 2. Check 2-way valve and check valve. 3. Check indoor heat exchanger (TC/TCJ). 4. Check indoor P.C. board.
P31	Own unit stops while warning is output to other indoor units.	Stop (Follower unit) (Automatic reset)	Displayed when check code is detected	1. Judge follower unit while master unit is [E03], [L03], [L07] or [L08]. 2. Check indoor P.C. board.
F01	Coming-off, disconnection or short of indoor heat exchanger temp. sensor (TCJ)	Stop (Automatic reset)	Displayed when check code is detected	1. Check indoor heat exchanger temp. sensor (TCJ). 2. Check indoor P.C. board.
F02	Coming-off, disconnection or short of indoor heat exchanger temp. sensor (TC)	Stop (Automatic reset)	Displayed when check code is detected	1. Check indoor heat exchanger temp. sensor (TC). 2. Check indoor P.C. board.
F10	Coming-off, disconnection or short of indoor heat exchanger temp. sensor (TA)	Stop (Automatic reset)	Displayed when check code is detected	1. Check indoor heat exchanger temp. sensor (TA). 2. Check indoor P.C. board.
F29	Indoor EEPROM trouble • EEPROM access trouble	Stop (Automatic reset)	Displayed when check code is detected	1. Check indoor EEPROM. (including socket insertion) 2. Check indoor P.C. board.
E10	UART communication trouble	Stop (Automatic reset)	Displayed when check code is detected	1. Check for defect in indoor P.C. board (MCC-1643 and MCC-1610)
E18	Regular communication trouble between indoor header and follower units	Stop (Automatic reset)	Displayed when check code is detected	1. Check remote controller wiring. 2. Check indoor power supply wiring. 3. Check indoor P.C. board.

Trouble detected by outdoor unit

Operation of diagnostic function				Judgment and measures
Check code	Cause of operation	Status of air conditioner	Condition	
Indoor unit				
F04	Disconnection, short of discharge temp. sensor (TD)	Stop	Displayed when check code is detected	1. Check discharge temp. sensor (TD). 2. Check outdoor P.C. board.
F06	Disconnection, short of outdoor temp. sensor (TE)	Stop	Displayed when check code is detected	1. Check temp. sensor (TE). 2. Check outdoor P.C. board.
F07	Disconnection, short of outdoor temp. sensor (TL)	Stop	Displayed when check code is detected	1. Check temp. sensor (TL). 2. Check outdoor P.C. board.
F12	Disconnection, short of suction temp. sensor (TS)	Stop	Displayed when check code is detected	1. Check suction temp. sensor (TS). 2. Check outdoor P.C. board.
F15	Miss-mounting of outdoor temp. sensor (TE, TS)	Stop	Displayed when check code is detected	1. Check temp. sensor (TE, TS). 2. Check outdoor P.C. board.
F08	Disconnection, short of outside temp. sensor (TO)	Continue	Displayed when check code is detected	1. Check outside temp. sensor (TO). 2. Check outdoor P.C. board.
F13	Disconnection, short of heat sink temp. sensor (TH)	Stop	Displayed when check code is detected	1. Check outdoor P.C. board. (Q201 is incorporated in TH sensor.)
F31	Outdoor P.C. EEPROM trouble	Stop	Displayed when check code is detected	1. Check outdoor P.C. board.
L10	Unset jumper of service P.C. board	Stop	Displayed when check code is detected	1. Outdoor service P.C. board Check model type setting jumper wire.
L29	Communication trouble between outdoor P.C. board MCU	Stop	Displayed when check code is detected	1. Check outdoor P.C. board 2. Connection check for each P.C. board.
P07	Heat sink overheat trouble * Heat sink temp. sensor detected over specified temperature.	Stop	Displayed when check code is detected	1. Check screw tightening between PC. Board and heat sink and check radiator grease. 2. Check heat sink blast path.
P15	Detection of gas leak * Discharge temp. sensor (TD), Suction temp. sensor (TS) detected temperature over specified temp.	Stop	Displayed when check code is detected	1. Check gas leak, recharge 2. Check full open of service valve. 3. Check PMV (Pulse Motor Valve). 4. Check broken pipe. 5. Check discharge temp. sensor (TD), suction temp. sensor (TS).
P19	4-way valve inverse trouble * After heating operation has started, indoor heat exchanger temp. lowers under the specified temp. * After heating operation has started, outdoor heat exchanger / suction temp. rises over the specified temp.	Stop	Displayed when check code is detected	1. Check operation of 4-way valve. 2. Check outdoor heat exchanger (TE), suction temp. sensor (TS). 3. Check indoor heat exchanger sensor (TC). 4. Check 4-way valve coil. 5. Check PMV (Pulse Motor Valve).
H01	Compressor break down * Although operation has started, operation frequency decreases and operation stops.	Stop	Displayed when check code is detected	1. Check power supply voltage. 2. Overload operation of refrigerating cycle
H02	Compressor lock * Over-current detection after compressor start-up	Stop	Displayed when check code is detected	1. Trouble of compressor (Lock, etc.): Replace compressor. 2. Wiring trouble of compressor (Open phase)

Operation of diagnostic function				Judgment and measures
Check code	Cause of operation	Status of air conditioner	Condition	
Indoor unit				
H03	Current detection circuit trouble	Stop	Displayed when check code is detected	1. Check outdoor P.C. board. (AC current detection circuit)
P05	Open phase of 3-phase power supply	Stop	Displayed when check code is detected	1. Check open phase of 3-phase power supply. 2. Black lead wire to be connected to CN03 of outdoor P. C. board does not pass through T611.
F23	Ps sensor trouble	Stop	Displayed when check code is detected	1. Check connection of Ps sensor connector. 2. Check failure of Ps sensor. 3. Check compressing power trouble of compressor. 4. Check 4-way valve trouble. 5. Check outdoor P.C. board trouble.
H06	Low pressure protective operation	Stop	Displayed when check code is detected	1. Check service valves are fully opened. (Gas side, Liquid side) 2. Check clogging of outdoor PMV. (PMV1, 2) 3. Check SV2 circuit. 4. Check Ps sensor trouble. 5. Check clogging of indoor filter. 6. Check clogging of refrigerant pipe. 7. Check of outdoor fan operation. (In heating mode) 8. Check short of refrigerant.
P03	Discharge temp. trouble * Discharge temp. (TD) over specified value was detected.(1.6)	Stop	Displayed when check code is detected	1. Check refrigerating cycle (Gas leak) 2. Trouble of electronic expansion valve 3. Check discharge temp. sensor (TD).
H04	Case thermostat operation * Abnormal overheat of compressor	Stop	Displayed when check code is detected	1. Check case thermostat and connector. 2. Check gas leak, recharge 3. Check full open of service valve. 4. Check PMV (Pulse Motor Valve). 5. Check broken pipe.
P04	High pressure SW system trouble	Stop	Displayed when check code is detected	1. Check service valves are fully opened. (Gas side, Liquid side) 2. Check of outdoor fan operation. 3. Check motor trouble of outdoor fan. 4. Check clogging of outdoor PMV. (PMV1, 2) 5. Check clogging of heat exchanger in indoor/outdoor units. 6. Short-circuit status of suction/discharge air in outdoor unit. 7. Check outdoor P.C. board trouble. 8. Check fan system trouble (Cause of air volume drop) at indoor side. 9. Check PMV opening status in indoor unit.
P05	Power supply voltage trouble	Stop	Displayed when check code is detected	1. Check power supply voltage.
P20	High pressure protective operation • During cooling operation, outdoor temp. sensor (TL) detected temperature over specified temp. • During heating operation, indoor temp. sensor (TC, TCJ) detected temperature over specified temp.	Stop	Displayed when check code is detected	1. Check outdoor heat exchanger sensor (TL). 2. Check indoor heat exchanger sensor (TC, TCJ). 3. Check full open of service valve. 4. Check indoor/outdoor fan. 5. Check PMV (Pulse Motor Valve). 6. Check clogging and short circuit of indoor/outdoor heat exchanger. 7. Overcharge of refrigerant. Recharge
P22	Outdoor fan system trouble	Stop	Displayed when check code is detected	1. Check lock of fan motor. 2. Check power supply voltage between L2 and N. 3. Check outdoor P.C. board.
P26	Short-circuit trouble of compressor driving element	Stop	Displayed when check code is detected	1. When performing operation while taking-off compressor wire, P26 trouble occurs. Check control P.C. board. 2. When performing operation while taking-off compressor wire, trouble does not occur. (Compressor rare short)
P29	Position detection circuit trouble	Stop	Displayed when check code is detected	1. Check control P.C. board.

Trouble detected by remote controller or central controller (TCC-LINK)

Operation of diagnostic function				Judgment and measures
Check code	Cause of operation	Status of air conditioner	Condition	
Not displayed at all (Operation on remote controller is impossible.)	No communication with master indoor unit <ul style="list-style-type: none"> Remote controller wiring is not correct. Power of indoor unit is not turned on. Automatic address cannot be completed. 	Stop	—	Power supply trouble of remote controller, Indoor EEPROM trouble <ol style="list-style-type: none"> Check remote controller inter-unit wiring. Check remote controller. Check indoor power wiring. Check indoor P.C. board. Check indoor EEPROM. (including socket insertion) → Automatic address repeating phenomenon generates.
E01 *2	No communication with master indoor unit <ul style="list-style-type: none"> Disconnection of inter-unit wire between remote controller and master indoor unit (Detected by remote controller side) 	Stop (Automatic reset) * If center exists, operation continues.	Displayed when check code is detected	Receiving trouble from remote controller <ol style="list-style-type: none"> Check remote controller inter-unit wiring. Check remote controller. Check indoor power wiring. Check indoor P.C. board.
E02	Signal send trouble to indoor unit (Detected by remote controller side)	Stop (Automatic reset) * If center exists, operation continues.	Displayed when check code is detected	Sending trouble of remote controller <ol style="list-style-type: none"> Check sending circuit inside of remote controller. → Replace remote controller.
E09	There are multiple main remote controllers. (Detected by remote controller side)	Stop (Sub unit continues operation.)	Displayed when check code is detected	<ol style="list-style-type: none"> In 2-remote controllers (including wireless), there are multiple main units. Check that there are 1 main remote controller and other sub remote controllers.
L20 ----- Central controller L20	Duplicated indoor central addresses on communication of central control system (Detected by indoor/central controller side)	Stop (Automatic reset)	Displayed when check code is detected	<ol style="list-style-type: none"> Check setting of central control system network address. (Network adapter SW01) Check network adapter P.C. board.
— *3 ----- Central controller (Send) C05 (Receive) C06	Communication circuit trouble of central control system (Detected by central controller side)	Continues (By remote controller)	Displayed when check code is detected	<ol style="list-style-type: none"> Check communication wire / miswiring Check communication (U3, U4 terminals) Check network adapter P.C. board. Check central controller (such as central control remote controller, etc.) Check terminal resistance. (TCC-LINK)
— ----- Central controller P30	Indoor Gr sub unit trouble (Detected by central controller side)	Continuation/Stop (According to each case)	Displayed when check code is detected	Check the check code of the corresponding unit from remote controller.

*2 The check code cannot be displayed by the wired remote controller.
(Usual operation of air conditioner becomes unavailable.)

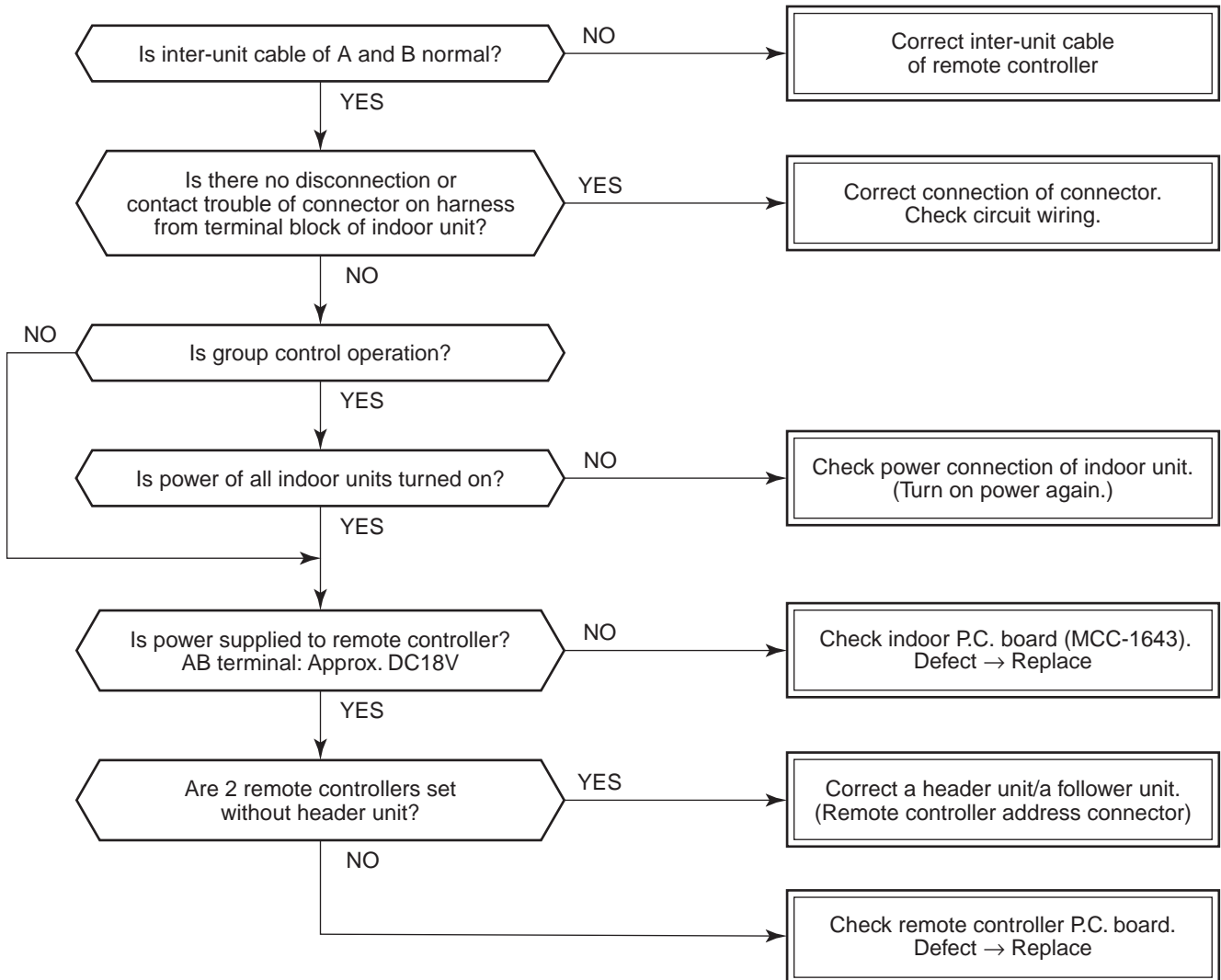
For the wireless models, trouble is notified with indication lamp.

*3 This trouble is related to communication of remote controller (A, B), central system (TCC-LINK U3, U4), and [E01], [E02], [E03], [E09] or [E18] is displayed or no check display on the remote controller according to the contents.

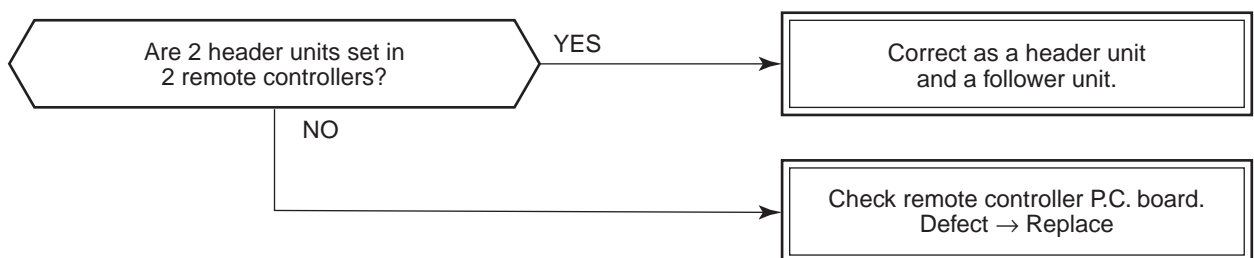
7-3. Diagnostic Procedure for Each Check Code (Indoor Unit)

Check code

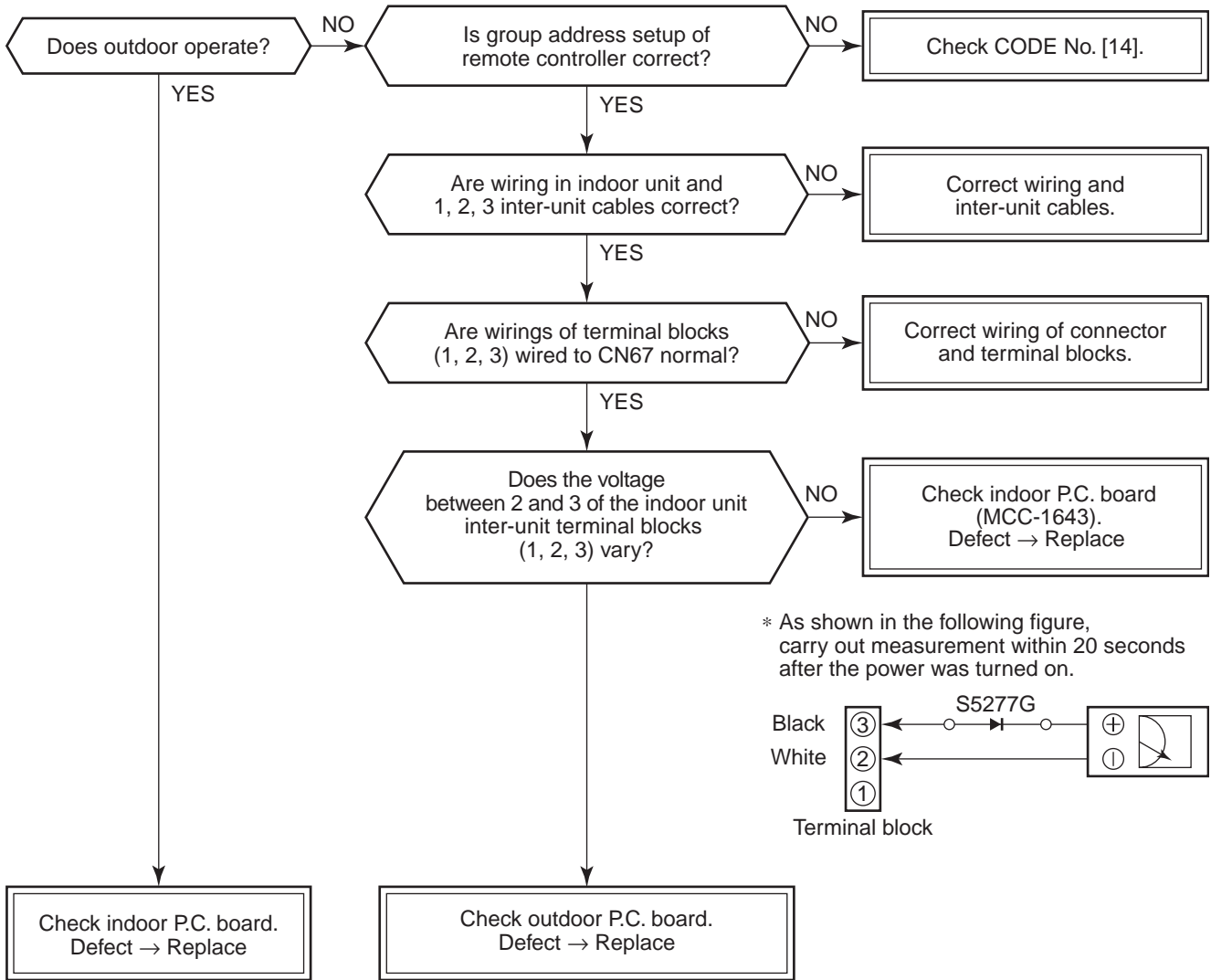
[E01]



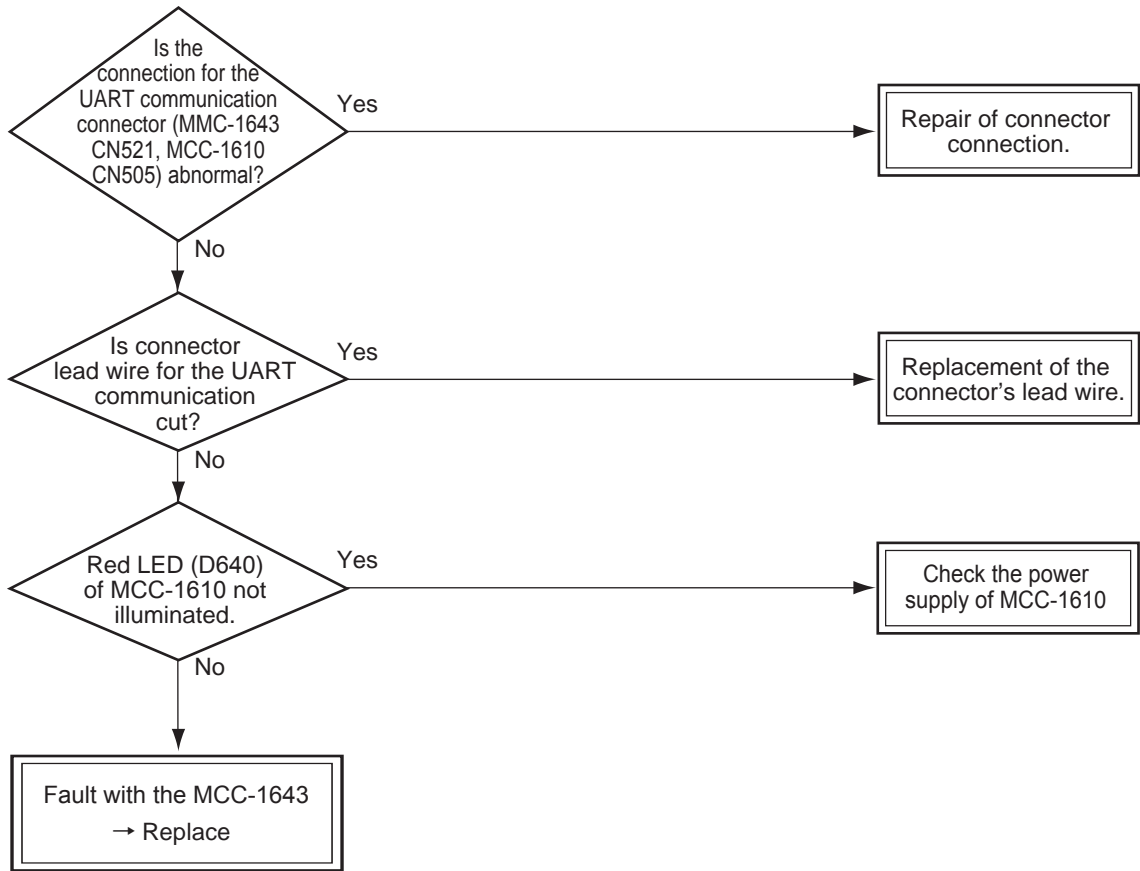
[E09]



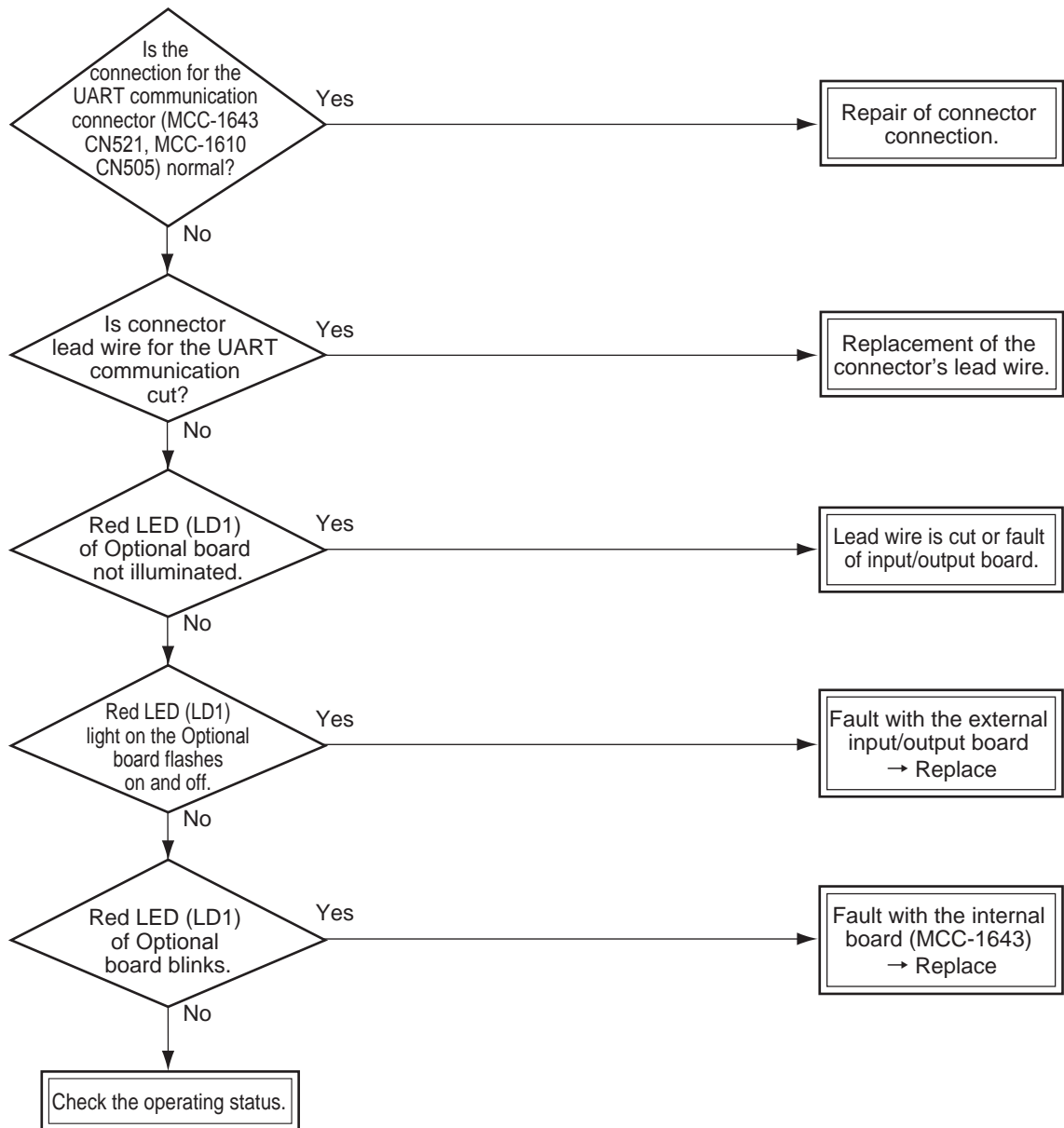
[E04]



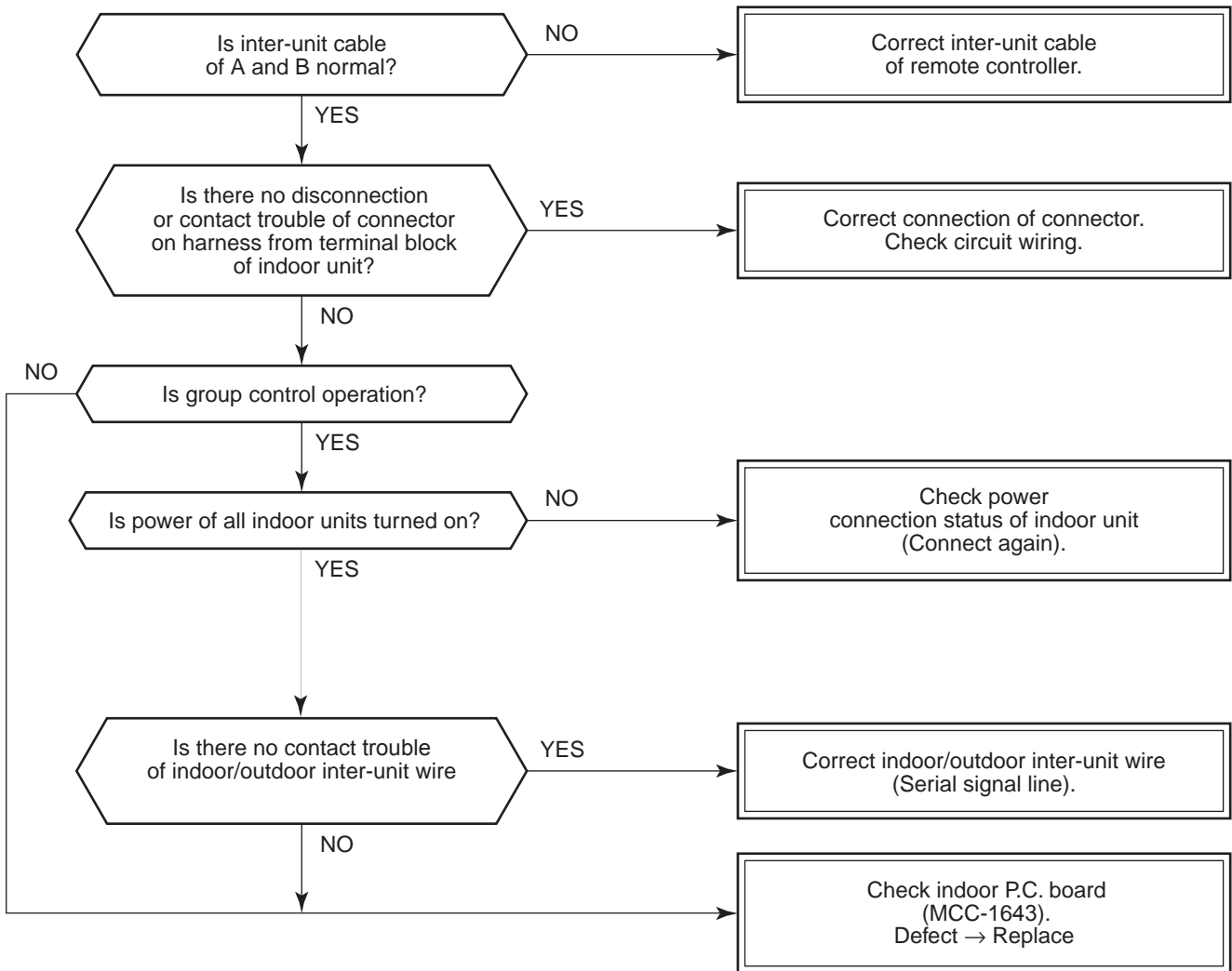
[E10]



[E11]



[E18]



[E08, L03, L07, L08]

E08: Duplicated indoor unit No.

L03: There are 2 or more header units in a group control.

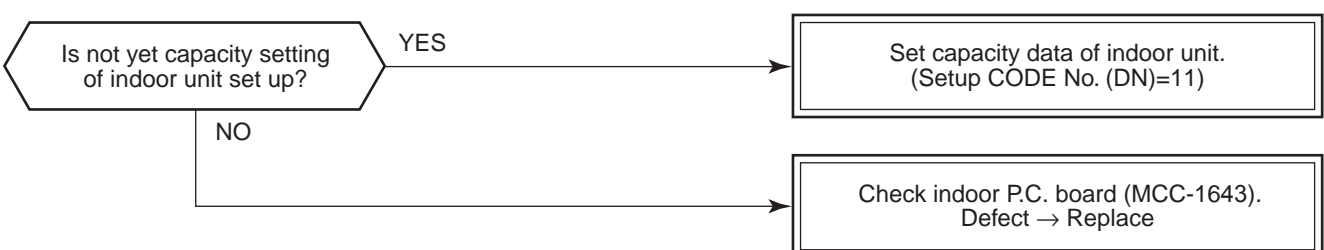
L07: There is 1 or more group address [Individual] in a group control.

L08: The indoor group address is unset. (99)

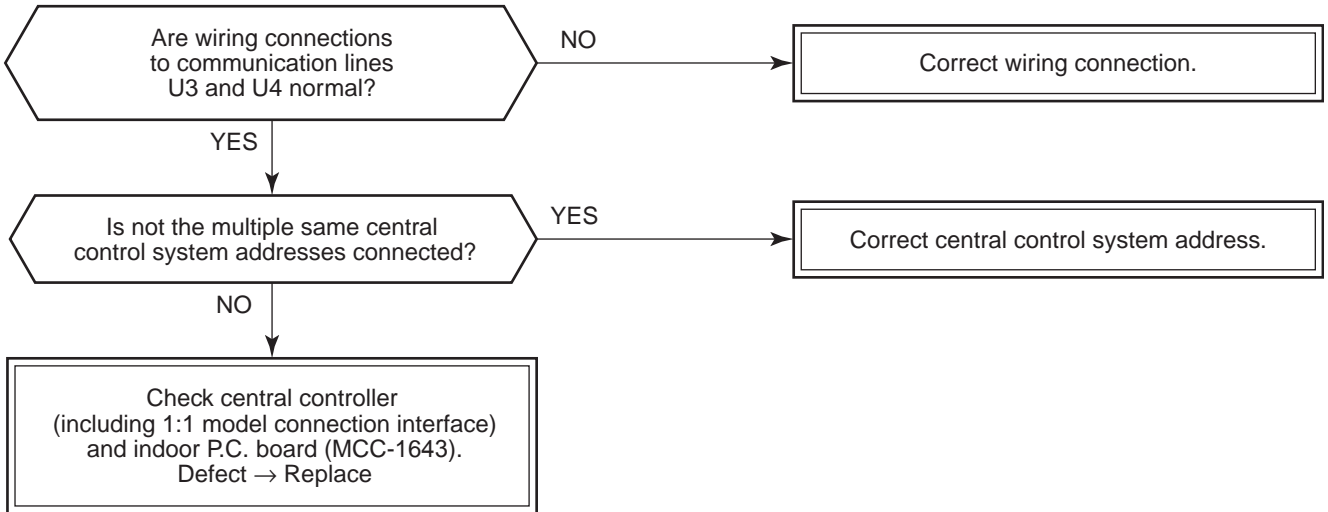
If the above trouble is detected when power supply turned on, the mode enters automatically in the automatic address set mode. (Check code is not output.)

However, if the above trouble is detected during the automatic address set mode, a check code may be output.

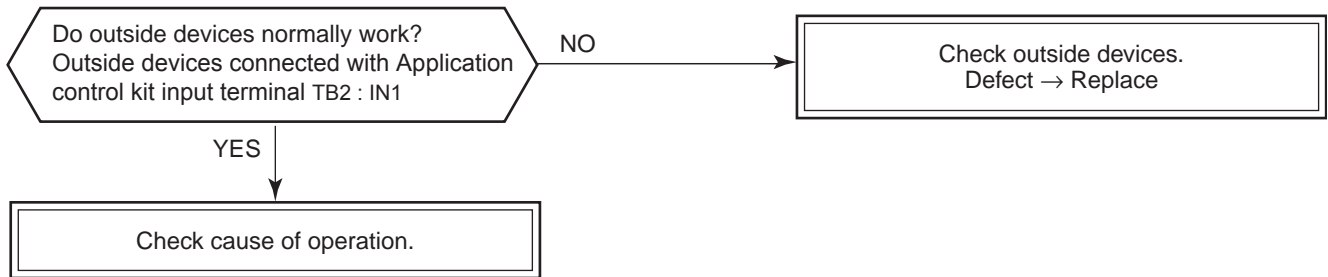
[L09]



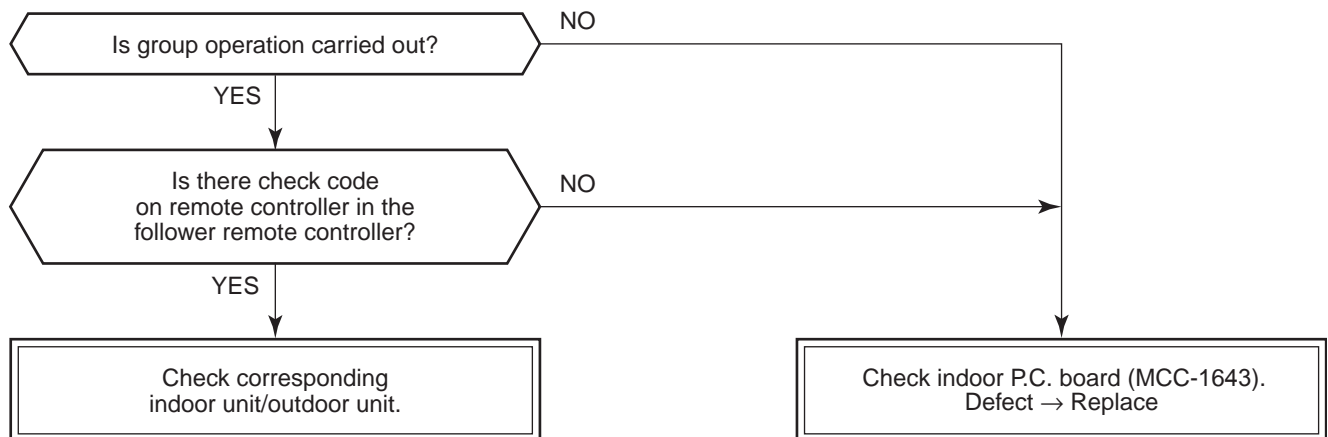
[L20]



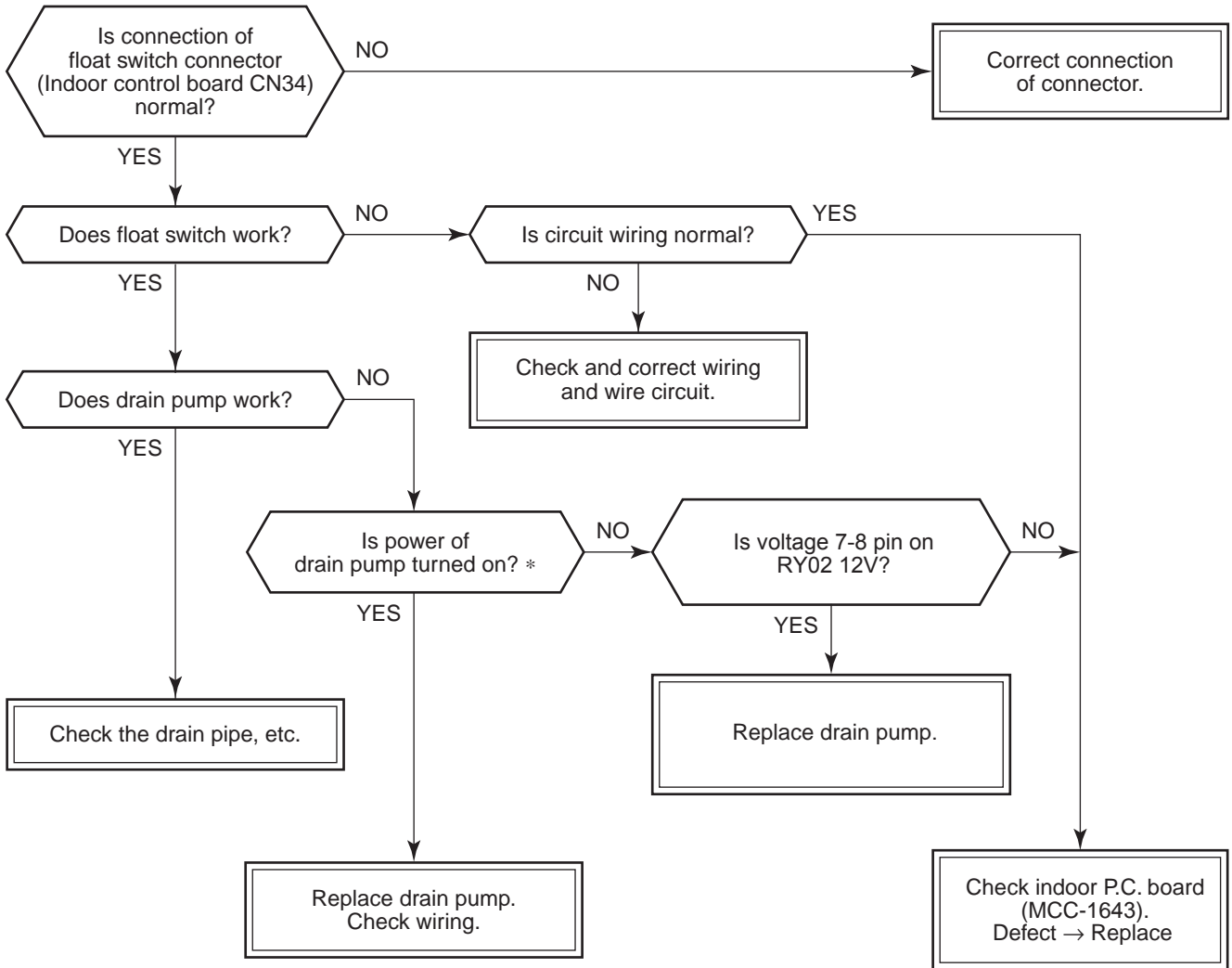
[L30]



[P30] (Central controller)

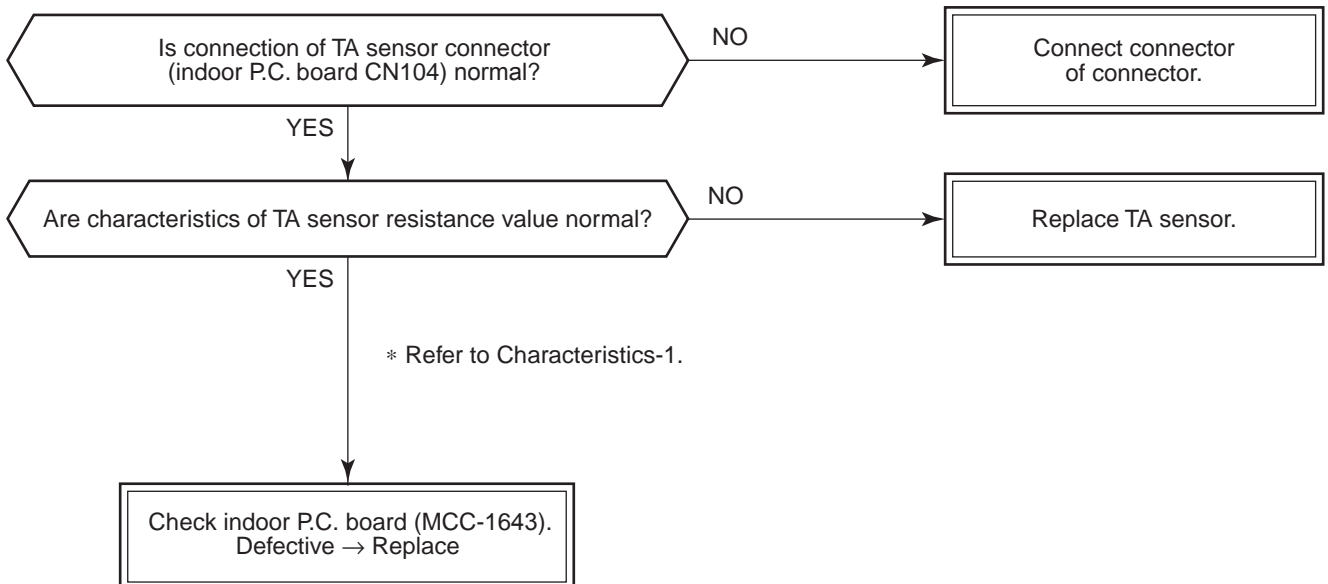


[P10] Drain pump kitnTCB-DP40DE (Sold separately)



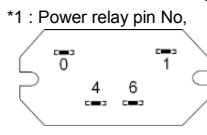
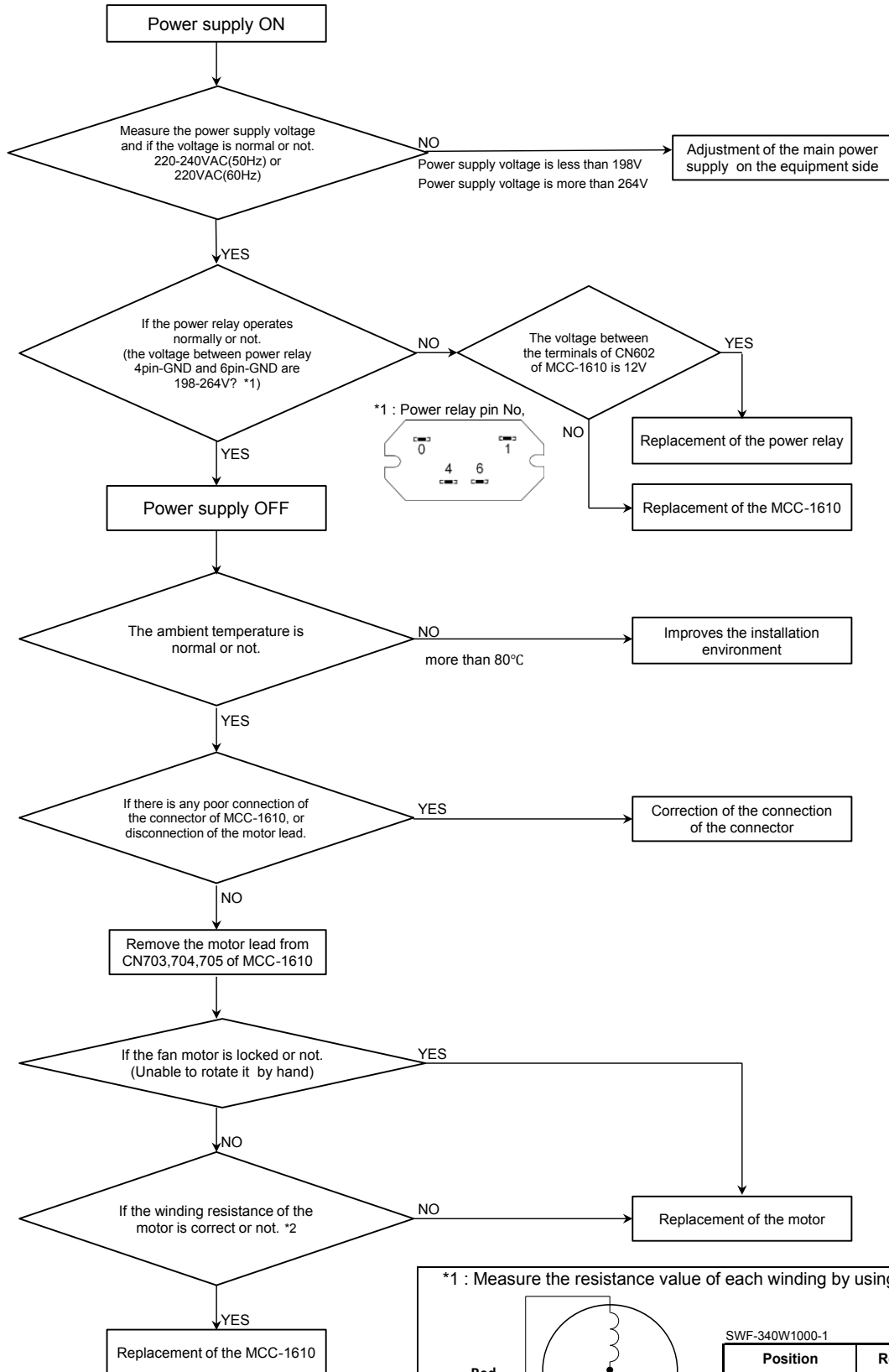
* Check that voltage of 1 - 3 pin of CN08 on the MCC-1551 is 200-240V and check that voltage of 3-5 pin on RY02 is 0 v.

[F10]



[P12]

Check code	Check code name	Cause
[P12]	Indoor fan motor trouble	1. Installation environment trouble 2. Electric parts trouble 3. Wiring trouble of fan motor connector 4. Fan motor trouble 5. Indoor P.C. board trouble



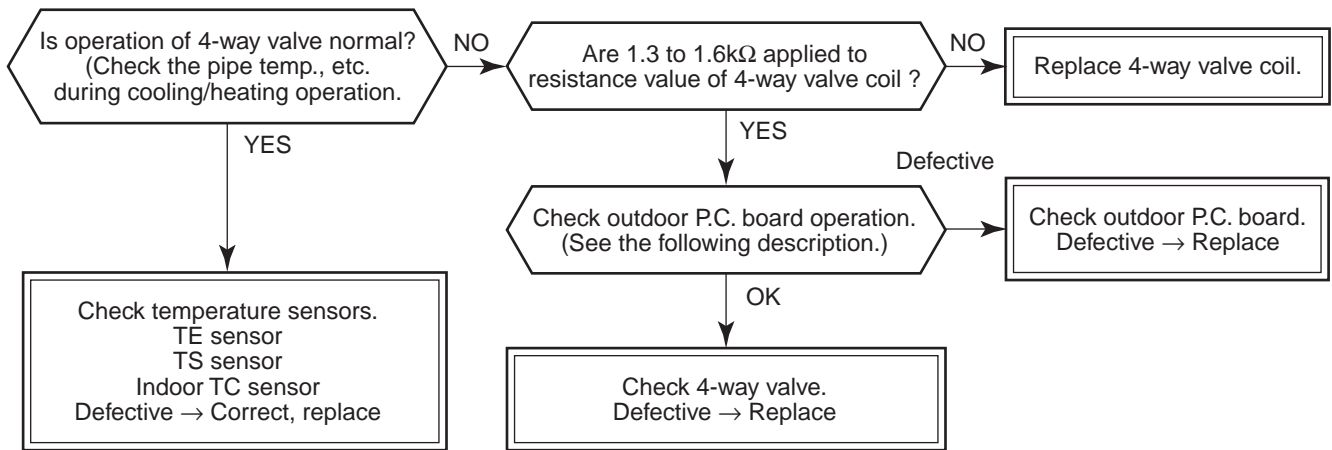
*1 : Measure the resistance value of each winding by using the tester

Position	Resistance value
Red - White	2.6 ± 0.3 Ω
White - Black	2.6 ± 0.3 Ω
Black - Red	2.6 ± 0.3 Ω

SWF-340W1000-1
at 20°C

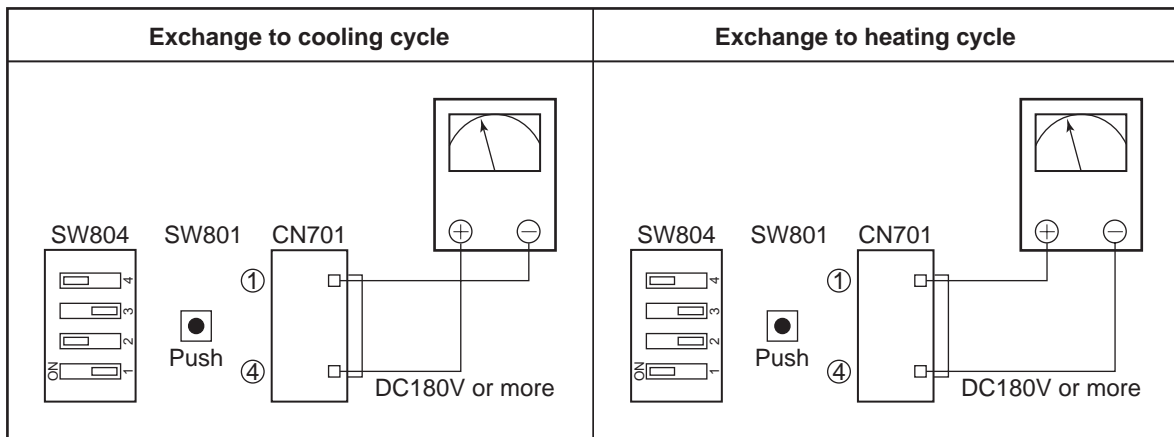
Fan motor inside wiring diagram

[P19]



Operation check direction of the outdoor P.C. board (In case of self-preservation valve)

- 1) Set the Dip switch SW804 as same as the following table and push SW801 for approx. 1 second. It enables you to check the exchange operation to cooling cycle or heating cycle.
 - Only for approx. 10 seconds, the power is turned on.
 - As the heat value of part (coil: resistance R700) is large, when checking the operation continuously, wait 1 minute or more until the next check. (There is no problem if a coil is not connected.)
- 2) After check, turn off all the Dip switches SW804.

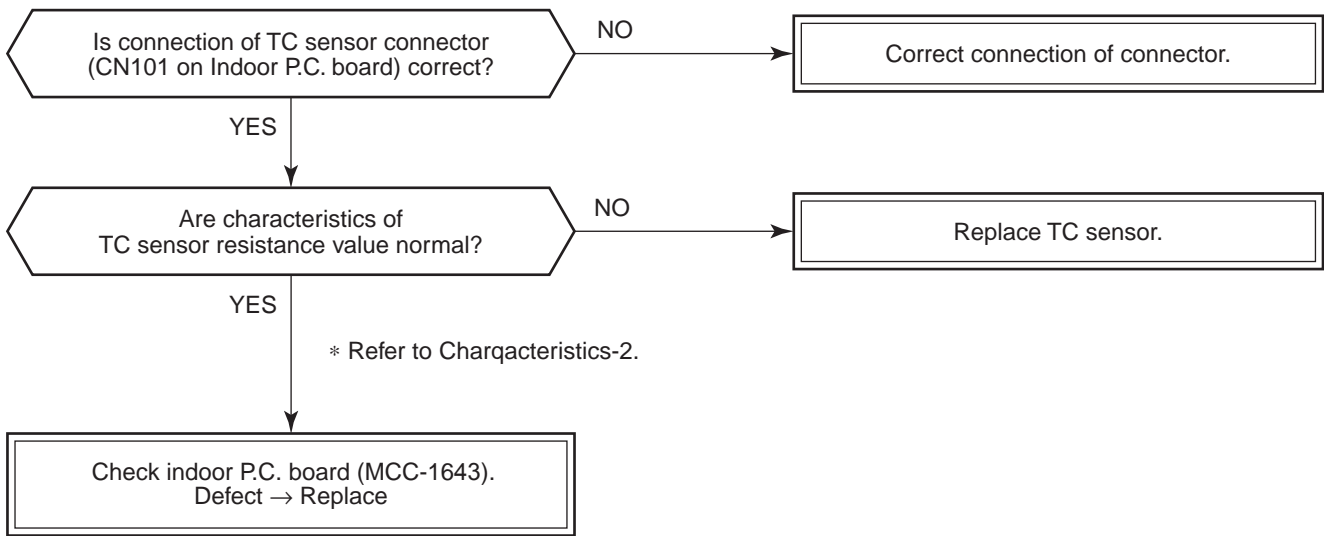


Check by tester

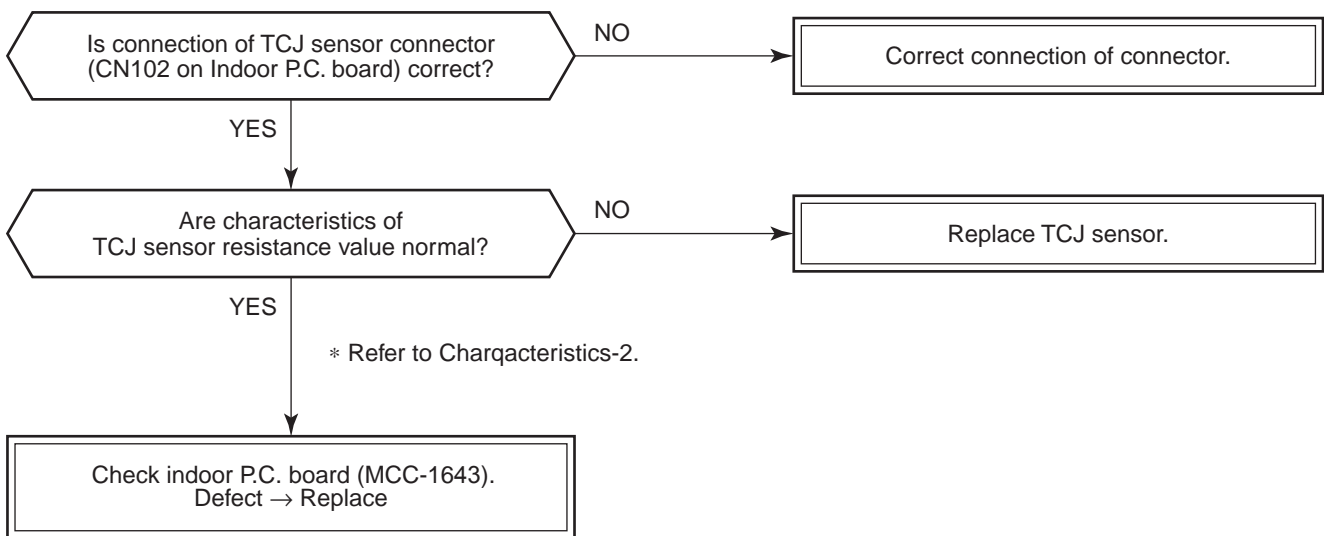
Analog tester: Good article if over DC180V

Digital tester: Although in some cases, the value varied and indicated. If the maximum value is DC180V or more, it is good article.

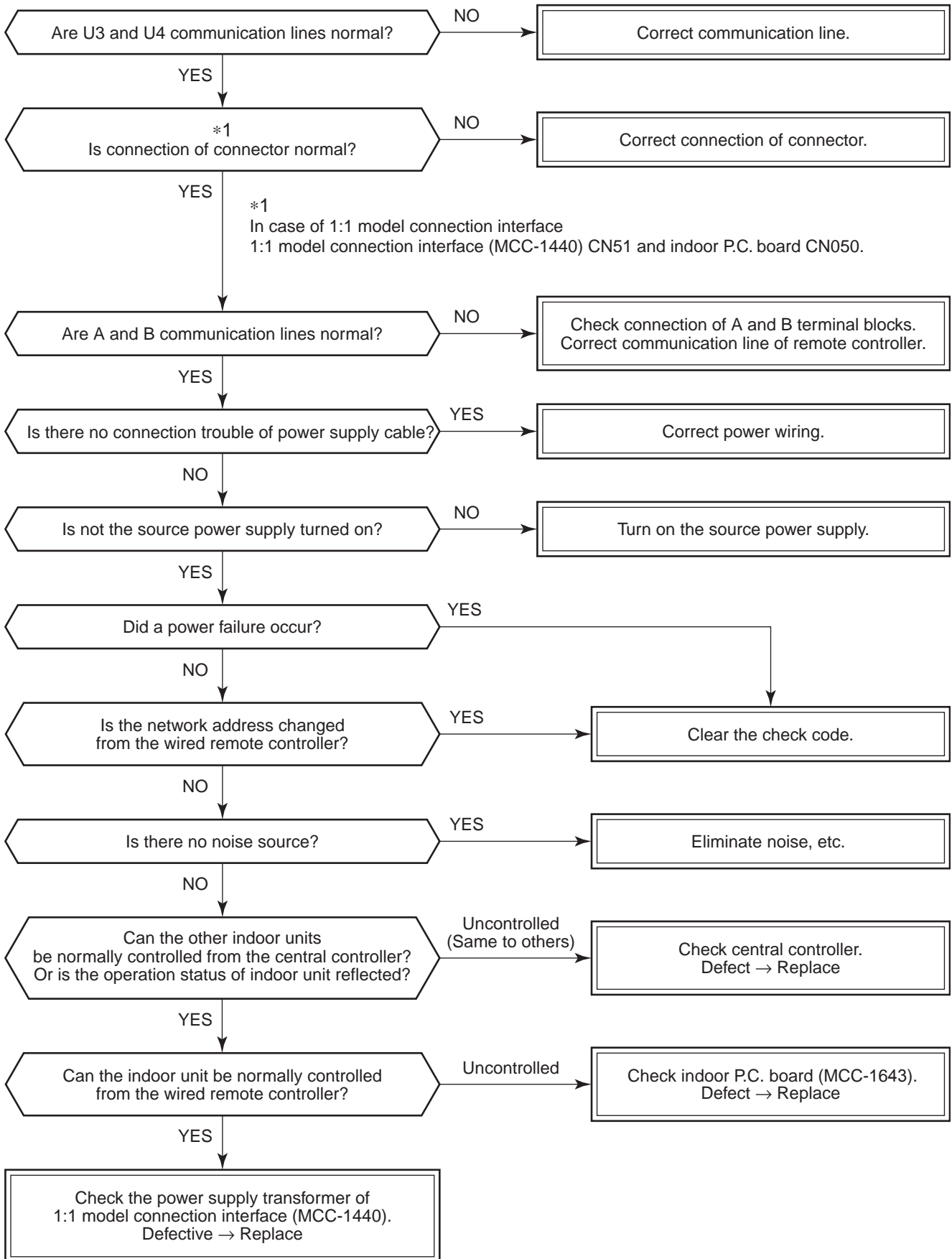
[F02]



[F01]



[C06] (1:1 model connection interface)



[E03] (Master indoor unit)

[E03] is detected when the indoor unit cannot receive a signal from the wired remote controller (also central controller).

Check A and B remote controllers and communication lines of the central control system U3 and U4.

As communication is impossible, this check code [E03] is not displayed on the wired remote controller and the central controller.

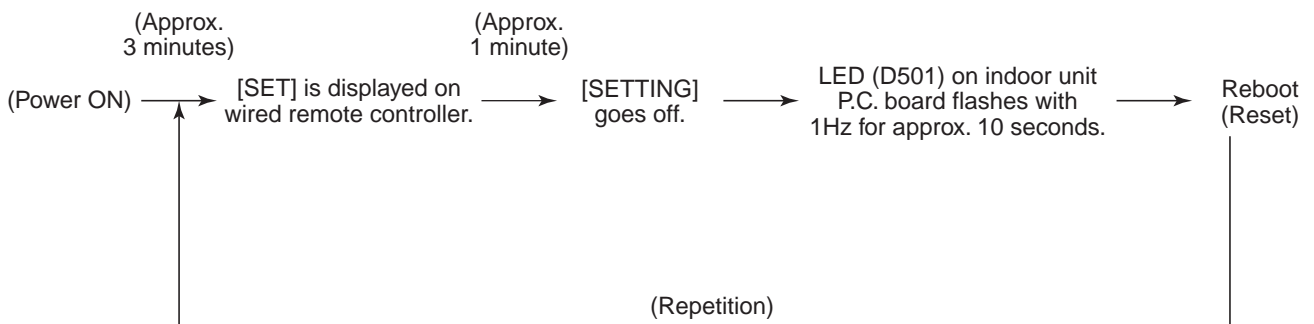
[E01] is displayed on the wired remote controller and [C06] is displayed on the central controller.

If these check codes generate during operation, the air conditioner stops.

[F29]

This check code indicates a detection trouble of IC503 non-volatile memory (EEPROM) on the indoor unit P.C. board, which generated during operation of the air conditioner. Replace the service P.C. board.

* When EEPROM was not inserted when power supply turned on or when the EEPROM data read/write operation is impossible at all, the automatic address mode is repeated. In this time, [97] is displayed on the central controller.



[P31] (Follower indoor unit)

When the master unit of a group operation detected [E03], [L03], [L07] or [L08] check code, the follower unit of the group operation detects [P31] and then the unit stops.

There is no display of the check code or alarm history of the wired remote controller. (In this model, the mode enters in automatic address set mode when the header unit detected [L03], [L07] or [L08] check code.)

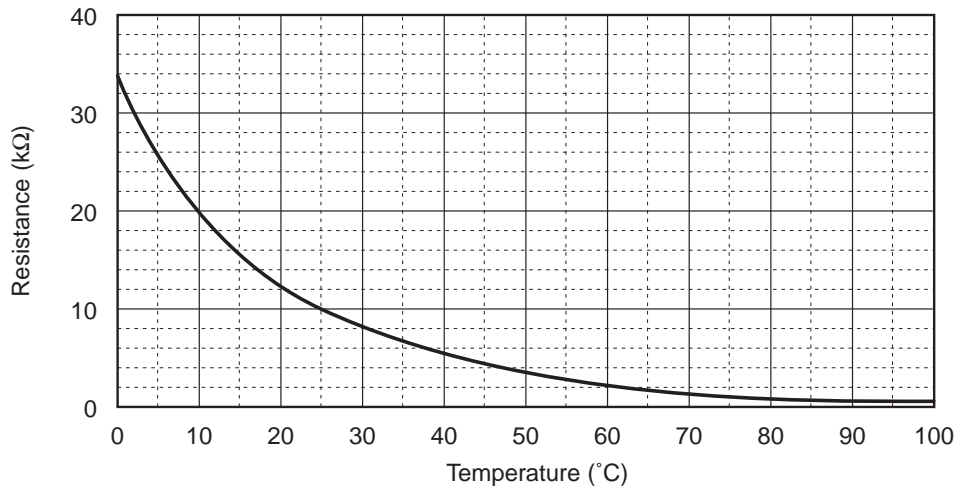
Temperature – Resistance value characteristic table

TA, TC, TCJ sensor

Representative value

Temperature (°C)	Resistance value (kΩ)		
	(Minimum value)	(Standard value)	(Maximum value)
0	32.33	33.80	35.30
10	19.63	20.35	21.09
20	12.23	12.59	12.95
25	9.75	10.00	10.25
30	7.764	7.990	8.218
40	5.013	5.192	5.375
50	3.312	3.451	3.594
60	2.236	2.343	2.454
70	1.540	1.623	1.709
80	1.082	1.146	1.213
90	0.7740	0.8237	0.8761
100	0.5634	0.6023	0.6434

TA, TC, TCJ sensor



8. REPLACEMENT OF SERVICE P.C. BOARD

8-1. Indoor control P.C. Board

⚠ CAUTION

< Model : RAV-RM****DTP*>

For the above models, set the CODE no. to "E" and the setting data 0000 (initial) to "0001"

<Note: when replacing the P.C. board for indoor unit servicing>

The nonvolatile memory (hereafter called EEPROM, IC503) on the indoor unit P.C. board before replacement includes the model specific type information and capacity codes as the factory-set value and the important setting data which have been automatically or manually set when the indoor unit is installed, such as system/indoor/group addresses, external static pressure select setting, etc.

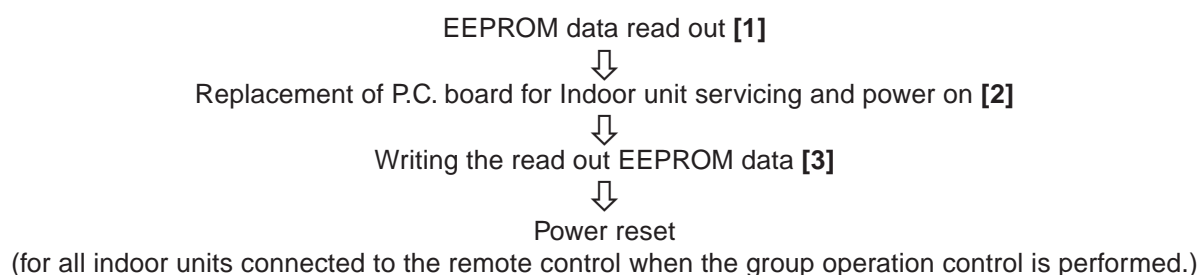
When replacing the P.C. board for indoor unit servicing, follow the procedures below.

After replacement completes, confirm whether the settings are correct by checking the indoor unit No., Group header unit/follower unit settings and perform the cooling cycle confirmation through the trial operation.

<Replacement procedures>

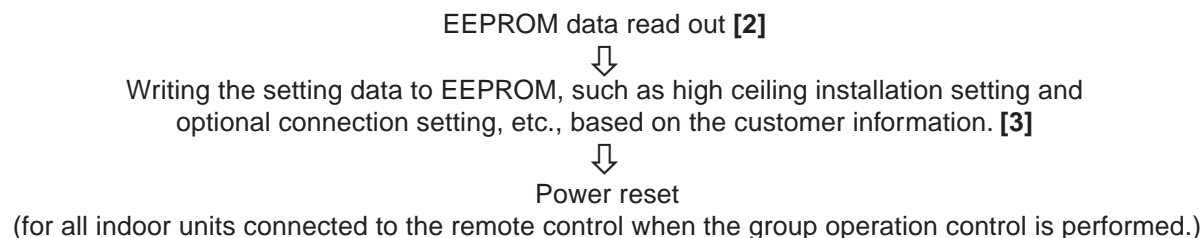
CASE 1

Before replacement, the indoor unit can be turned on and the setting data can be read out by wired remote control operation.



CASE 2

The EEPROM before replacement is defective and the setting data cannot be read out.



[1] Setting data read out from EEPROM

The setting data modified on the site, other than factory-set value, stored in the EEPROM shall be read out.

Step 1 Push **SET**, **CL** and **TEST** button on the remote controller simultaneously for more than 4 seconds.

* When the group operation control is performed, the unit No. displayed for the first time is the header unit No.
At this time, the CODE No. (DN) shows “/0”. Also, the fan of the indoor unit selected starts its operation.

Step 2 Every time when the **UNIT LOUVER** (left side button) button is pushed, the indoor unit No. under the group control is displayed in order. Specify the indoor unit No. to be replaced.

1. **Change the CODE No. (DN) to /0 → 01 by pushing **▼** / **▲** buttons for the temperature setting. (this is the setting for the filter sign lighting time.)**

At this time, be sure to write down the setting data displayed.

2. Change the CODE No. (DN) by pushing **▼** / **▲** buttons for the temperature setting.

Similarly, be sure to write down the setting data displayed.

3. Repeat the step 2-2 to set the other settings in the same way and write down the setting data as shown in the table 1 (example).

* The CODE No. (DN) are ranged from “01” to “FF”. The CODE No. (DN) may skip.

Step 3 After writing down all setting data, push **TEST** button to return to the normal stop status.
(It takes approx. 1 min until the remote controller operation is available again.)

CODE No. required at least

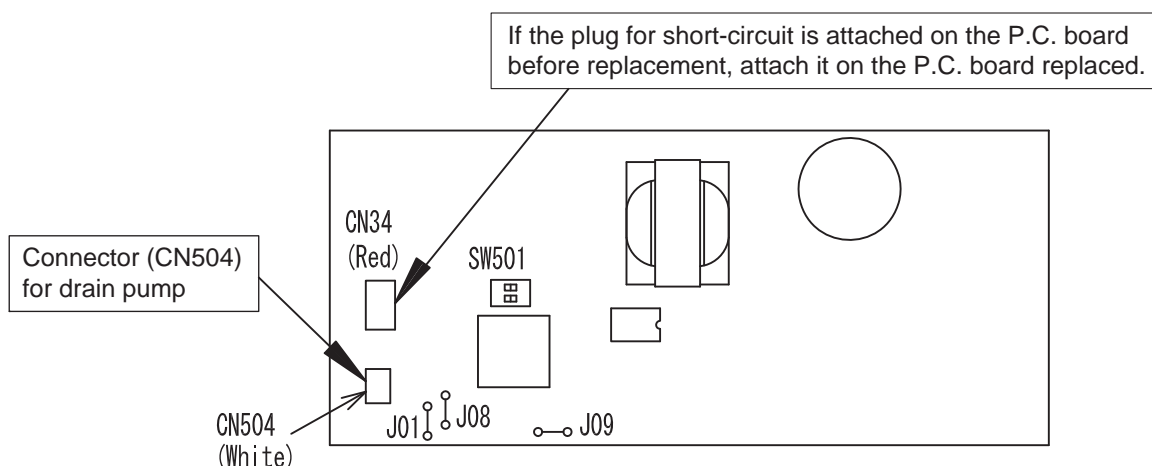
DN	Contents
10	Type
11	Indoor unit capacity
12	System address
13	Indoor unit address
14	Group address

1. The CODE No. for the Indoor unit type and Indoor unit capacity are required to set the rotation number setting of the fan.
2. If the system/indoor/group addresses are different from those before replacement, the auto-address setting mode starts and the manual resetting may be required again.
(when the multiple units group operation including twin system.)

[2] P.C. Board for indoor unit servicing replacement procedures

Step 1 Replace the P.C. board to the P.C. board for indoor unit servicing.

At this time, perform the same setting of the jumper wire (J01, J08, J09) setting (cut), switch SW501, (short-circuit) connector CN34 as the setting of the P.C. board before replacement.



Step 2 According to the system configuration, turn on the indoor unit following to the either methods shown below.

a) Single operation (Indoor unit is used as standalone.)

Turn on the indoor unit.

1. After completion of the auto-address setting mode (required time: approx. 5 min.), proceed to [3].
(System address = 1, Indoor unit address = 1, Group address = 0 (standalone) are automatically set.)

2. Push **SET**, **CL** and **TEST** buttons simultaneously for more than 4 seconds to interrupt the auto-address setting mode, and proceed to [3]. (The unit No. “ALL” is displayed.)

b) Group operation

Turn on the indoor unit(s) with its P.C. board replaced to the P.C. board for indoor unit servicing, according to either methods 1 or 2 shown below.

1. Turn on only the indoor unit with its P.C. board replaced. (Be sure to confirm the remote controller is surely connected. If not, the operation [3] cannot be performed.)

Perform either methods 1 or 2 described in item a) above.

2. Turn on the multiple indoor units including the indoor unit with its P.C. board replaced.

- All group connections

After completion of the auto-address setting mode (required time: approx. 5 min.), proceed to [3].

* The header unit of the group may be changed by performing the auto-address setting.

Also, the system address/Indoor unit address of the indoor unit with its P.C. board replaced may be assigned to the addresses (not used) other than those of the indoor units without its P.C. board replaced. It is recommended to keep the information in advance, which cooling system the indoor unit belongs to or whether the indoor unit works as the header unit or the follower unit in the group control operation.

[3] Writing the setting data to EEPROM

The settings stored in the EEPROM of the P.C. board for indoor unit servicing are the factory-set values.

Step 1 Push **SET**, **CL** and **TEST** buttons on the remote controller simultaneously for more than 4 seconds.

* In the group control operation, the unit No. displayed for the first time is the header unit No.

At this time, the CODE No. (DN) shows “/0”. Also, the fan of the indoor unit selected starts its operation.

(The unit No. “ALL” is displayed if the auto-address setting mode is interrupted in [2] step 2 a))

Step 2 Every time when **UNIT LOUVER** (left side button) button is pushed, the indoor unit No. in the group control operation are displayed in order.

(The settings stored in the EEPROM of the P.C. board for indoor unit servicing are the factory-set values.)

Specify the indoor unit No. with its P.C. board replaced to the P.C. board for indoor unit servicing.

(You cannot perform this operation if “ALL” is displayed.)

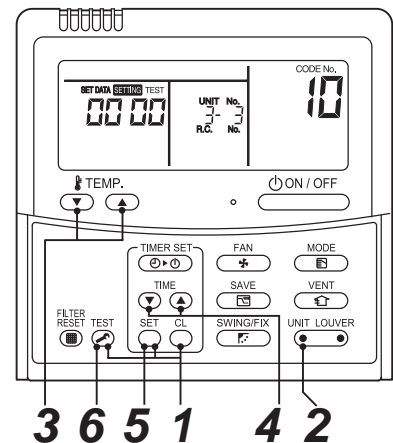
Step 3 Select the CODE No. (DN) can be selected by pushing the **TEMP.** / **ON / OFF** button for the temperature setting.

- Set the indoor unit type and capacity.

The factory-set values shall be written to the EEPROM by changing the type and capacity.

1. Set the CODE No. (DN) to “/0”. (without change)
2. Select the type by pushing **TEMP.** / **ON / OFF** buttons for the timer setting. (For example, 4-way Cassette Type is set to “0001”. Refer to table 2)
3. Push **SET** button. (The operation completes if the setting data is displayed.)
4. Change the CODE No. (DN) to “/1” by pushing **TEMP.** / **ON / OFF** buttons for the temperature setting.
5. Select the capacity by pushing **TEMP.** / **ON / OFF** buttons for the timer setting. (For example, 280 Type is set to “0023”. Refer to table 3)
6. Push **SET** button. (The setting completes if the setting data are displayed.)

<Fig. 1 RBC-AMT32E>



Setting Concealed Duct High Static Pressure Type

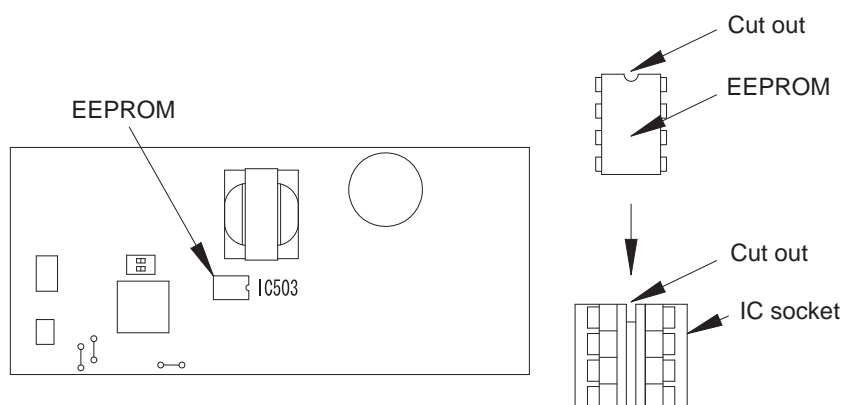
7. Using the set temperature **TEMP.** / **ON / OFF** buttons, set “EE” to the CODE No. (DN).
8. Using the timer time / buttons, set the dat. (0001)
9. Push **SET** button (The setting completes if the setting data are displayed.)
10. Push the **TEST** button to return to the normal stop status (It takes approx. 1 min until the remote control operation is available again.)

- Step 4** Write the on-site setting data to the EEPROM, such as address setting, etc. Perform the steps 1 and 2 above again.
- Step 5** Change the CODE No. (DN) to "01" by pushing (▼) / (▲) buttons for the temperature setting. (this is the setting for the filter sign lighting time.)
- Step 6** Check the setting data displayed at this time with the setting data put down in [1].
1. If the setting data is different, modify the setting data by pushing (▼) / (▲) buttons for the timer setting to the data put down in [1].
The operation completes if the setting data is displayed.
 2. If the data is the same, proceed to next step.
- Step 7** Change the CODE No. (DN) by pushing (▼) / (▲) buttons for the temperature setting. As described above, check the setting data and modify to the data put down in [1].
- Step 8** Repeat the steps 6 and 7.
- Step 9** After the setting completes, push ^{TEST} button to return to the normal stop status. (It takes approx. 1 min until the remote control operation is available again.)
- * The CODE No. (DN) are ranged from "01" to "FF". The CODE No. (DN) is not limited to be serial No. Even after modifying the data wrongly and pushing ^{SET} button, it is possible to return to the data before modification by pushing ^{CL} button if the CODE No. (DN) is not changed.

<Fig. 2 EEPROM layout diagram>

The EEPROM (IC503) is attached to the IC socket. When detaching the EEPROM, use a tweezers, etc. Be sure to attach the EEPROM by fitting its direction as shown in the figure.

* Do not bend the IC lead when replacing.



CODE No. list (Example)

CODE No. (DN)	Item	Setting data	Factory-set value
01	Filter sign lighting time		Depending on Type
02	Filter pollution level		0000: standard
03	Central control address		0099: Not determined
06	Heating suction temperature shift		0002: +2°C (Floor standing type: 0)
0d	Existence of automatic COOL/HEAT mode		0001: No auto mode cooling / heating
0F	Cooling only		0000: Heat pump
10	Type		Depending on model type
11	Indoor unit capacity		Depending on capacity type
12	System address		0099: Not determined
13	Indoor unit address		0099: Not determined
14	Group address		0099: Not determined
1E	Temperature range of cooling / heating automatic SW control point		0003: 3 deg (TS ± 1.5)
28	Power failure automatic recovery		0000: None
31	Vent Fan (Single operation)		0000: Not possible
32	Sensor SW (Selection of static pressure)		0000: Body sensor
5d	Static pressure selection		0000: Standard
60	Timer setting (wired remote controller)		0000: Available
d0	Power save operation		0001: Standard
d1	Frost protection function		0000: None
F6	Presence of Application control kit		0000: None

* Automatically selection by connected outdoor unit

Type Code No. [10]

Setting data	Type	Model abb. name
0006	Concealed Duct High Static Pressure Type	RAV-RM***DTP-E (TR)

Indoor unit capacity CODE No. [11]

Setting data	Type
0000*	Disable
0021	224
0023	280

8-2. Fan IPDU P.C. Board (MCC-1610)

Replacement steps:

[Remove PCB]

- (1) Turn off the power supply of the indoor unit and allow at least one minute for the capacitor to discharge.
Confirm that the light of the LED (D640) fades away.
- (2) Remove all the connectors which are connected to the FAN IPDU. (Remove the connectors by pulling the connector body. Do not pull the wire, because there are some rocks in connector).
- (3) Remove all the five screws (a) which secures the FAN IPDU to the Heat sink.(These screws are to be re-used after procedure.)
- (4) Remove the Fan IPDU from four PCB spacer (b).

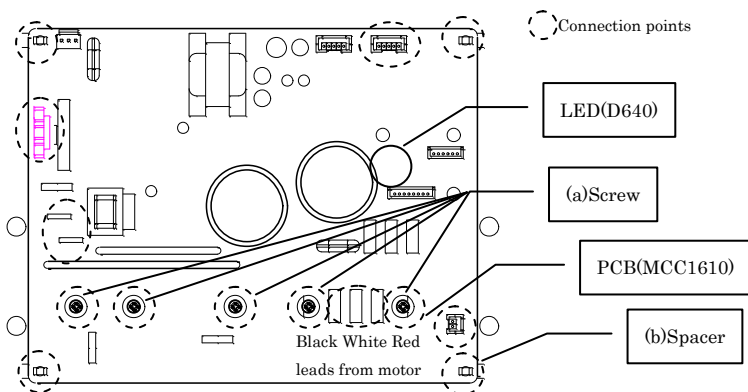


Figure1 PCB outline

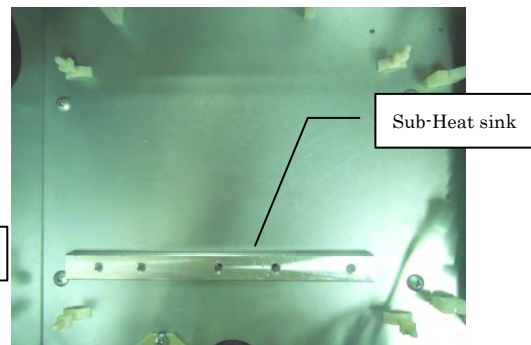


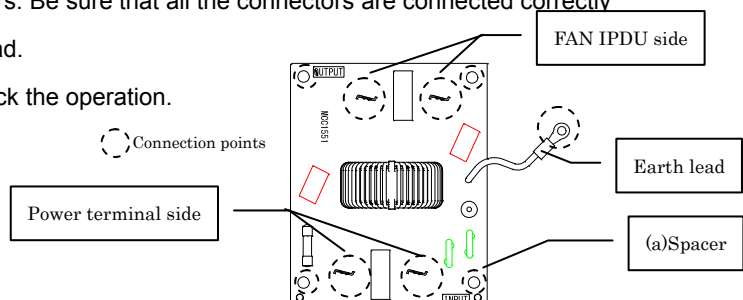
Figure2 After removing PCB

[Set PCB]

- (5) Confirm that no dirt or damage is on the sub heat sink. **And don't forget to set sub heat sink.** As it can reduce the heat transfer efficiency, and cause a breakdown.
- (6) Screw the FAN IPDU to the heat sink using the five screws that were removed in step (3). If the screws are loose, the effected component will generate heat, and cause in to breakdown. Do not use an electric driver or an air driver, as it can cause component damage. The torque of 5 screws (IC701, DB509, DB510 and Q590) is "0.55Nm".
- (7) Re-connect the connectors. Be sure that all the connectors are connected correctly and securely inserted.
- (8)Install the cover, then turn on the supply. Check the operation.

10-3. N/F P.C. Board (MCC-1551) Replacement Procedure

- (1) Turn off the power supply of the indoor unit
- (2) Remove all the connectors and remove earth lead from metals. (Remove the connectors by pulling the connector body. Do not pull the wire, because there are some rocks in connector).
- (3) Remove the Fan IPDU from four PCB spacer (a).
- (4) After changing PCB, re-connect the connectors. Be sure that all the connectors are connected correctly and securely inserted. And Screw to earth lead.
- (5) Install the cover, then turn on the supply. Check the operation.


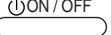



9. SETUP AT LOCAL SITE AND OTHERS

9-1. Indoor Unit

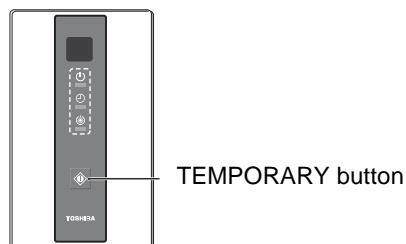
9-1-1. Test Run Setup on Remote Controller

<Wired remote controller>

1. When pushing  button on the remote controller for 4 seconds or more, "TEST" is displayed on LC display.
Then push  button.
 - "TEST" is displayed on LC display during operation of Test Run.
 - During Test Run, temperature cannot be adjusted but air volume can be selected.
 - In heating and cooling operation, a command to fix the Test Run frequency is output.
 - Detection of check code is performed as usual. However, do not use this function except case of Test Run because it applies load on the unit.
2. Use either heating or cooling operation mode for [TEST].
NOTE : The outdoor unit does not operate after power has been turned on or for approx. 3 minutes after operation has stopped.
3. After a Test Run has finished, push  button again and check that [TEST] on LC display has gone off.
(To prevent a continuous test run operation, 60-minutes timer release function is provided to this remote controller.)




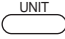






<Wiress remote controller>

- 1** When **TEMPORARY** button is pushed for 10 seconds or more, "Pi!" sound is heard and the operation changes to test run. After approx. 3 minutes, a cooling operation starts forcedly. Check cool air starts blowing. If the operation does not start, check wiring again.
- 2** To stop a test operation, push **TEMPORARY** button once again (Approx. 1 second). Check wiring / piping of the indoor and outdoor units in test run.

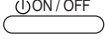


9-1-2. Forced Defrost Setup of Remote Controller (For wired remote controller only)

(Preparation in advance)

- 1** Push  +  +  buttons simultaneously for 4 seconds or more on the remote controller. (Push buttons while the air conditioner stops.)
The first displayed unit No. is the master indoor unit address in the group control.
- 2** Every pushing  button, the indoor unit No. in the group control is displayed one after the other.
Select a main indoor unit (outdoor unit is connected) which is to be defrosted.
In this time, fan of the selected indoor unit operate.
- 3** Using the set temperature   buttons, specify the CODE No. (DN) 8C.
- 4** Using the timer time   buttons, set time to data 0001. (0000 at shipment)
- 5** Push  button. (OK if indication lights)
- 6** Pushing  button returns the status to the normal stop status.

(Practical operation)

- Push ON/OFF  Key.
- Select the HEAT mode.
- After a while, the forced defrost signal is sent to the outdoor unit and then the outdoor unit starts defrost operation. (The forced defrost operation is performed for Max. 12 minutes.)
- After defrost operation finished, the operation returns to the heating operation.

To execute the defrost operation again, start procedure from above item 1 .

(If the forced defrost operation was executed once, setting of the above forced defrost operation is cleared.)

9-1-3. LED Display on Indoor P.C. Board

1. D501 (Red)

- Goes on at the same time when power was turned on (Main microcomputer operates and goes on.)
- Flashes with 1-second interval (every 500ms): When EEPROM is not provided or writing was trouble.
- Flashes with 10-seconds interval (every 5S): When the mode is DISP

2. D403 (Red)

- Goes on when power is supplied to remote controller (Lights on the hardware)

9-1-4. Function Selection Setup

<Procedure> Perform setting while the air conditioner stops.

1 Push **TEST** + **SET** + **CL** buttons simultaneously for 4 seconds or more.

The first displayed unit No. is the master indoor unit address in the group control.
In this time, fan of the selected indoor unit operate.



2 Every pushing **UNIT LOUVER** button (button at left side), the indoor unit No. in the group control is displayed one after the other. In this time, fan of the selected indoor unit only operate.



3 Using the set temperature **TEMP.** buttons, specify the CODE No. (DN).



4 Using the timer time **TIME** buttons, select the set data.

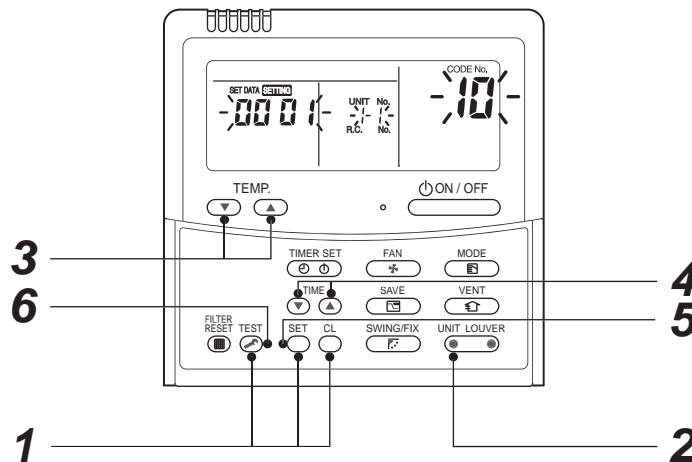


5 Push **SET** button. (OK if indication lights)

- To change the selected indoor unit, proceed to Procedure **2**.
- To change item to be set up, proceed to Procedure **3**.



6 Pushing **TEST** button returns the status to the normal stop status.



<Operation procedure>

1 → 2 → 3 → 4 → 5 → 6 END

Item No. (DN) table (Selection of function)

DN	Item	Description	At shipment
01	Filter sign lighting time)	0000 : None 0002 : 2500H (4-Way/Duct/Ceiling Type)	0002 : 2500H
02	Dirty state of filter	0000 : Standard 0001 : High degree of dirt (Half of standard time)	0000 : Standard
03	Central control address	0001 : No.1 unit to 0064 : No.64 unit 0099 : Unfixed	0099 : Unfixed
06	Heating suction temp shift	0000 : No shift 0001 : +1°C 0002 : +2°C to 0010 : -10°C (Up to recommendation + 6)	0002 : +2°C
0F	Cooling only	0000 : Heat pump 0001 : Cooling only (No display of [AUTO] [HEAT])	0000 : Heat pump
10	Type	0004 : Concealed duct type 0007 : Ceiling type 0014 : Compact 4-way cassette type	According to model type
11	Indoor unit capacity	0000 : Unfixed 0009 : 56 type 0012 : 80 type 0015 : 110type 0017 : 140 type	According to capacity type
12	Line address	0001 : No.1 unit to 0030 : No.30 unit	0099 : Unfixed
13	Indoor unit address	0001 : No.1 unit to 0064 : No.64 unit	0099 : Unfixed
14	Group address	0000 : Individual 0001 : Master of group 0002 : Follower of group	0099 : Unfixed
19	Louver type (Air direction adjustment) * None for concealed duct	0000 : No louver 0001 : Swing only 0002 : 1-way 0003 : 2-way 0004 : 4-way	According to model type
1E	Temp difference of automatic cooling/heating mode selection COOL → HEAT, HEAT →COOL	0000 : 0 deg to 0010 : 10 deg (For setup temperature, reversal of COOL/HEAT by ± (Data value)/2)	0003 : 3 deg (Ts±1.5)
28	Auto restart after power failure	0000 : None 0001 : Auto restart	0000 : None
2A	Option		0002 : Default
2b	Thermostat output selection (T10 ③)	0000 : Indoor thermostat ON 0001 : Output of outdoor comp-ON receiving	0000: Thermostat ON
2E	Option		0000 : Default
30	Option		0000 : Default
31	Option		0000 : Default
32	Sensor selection	0000 : Body TA sensor 0001 : Remote controller sensor	0000 : Body sensor
33	Temperature indication	0000 : °C (celsius) 0001 : °F (Fahrenheit)	0000 : °C
40	Option		0003 : Default
42	Self clean time	0000: None 0001: 0.5h to 0.012: 6.0h The case that compressor-ON time is 10 to 60 minutes is set up. When ON time is over 60 minutes, the operating time becomes two times of it.	0002: 60 minutes

DN	Item	Description	At shipment																							
5d	High ceiling selection (External static pressure selection)	According to capacity type <Concealed Duct type> <table border="1"> <thead> <tr> <th>Set data</th> <th>0000</th> <th>0001</th> <th>0002</th> <th>0003</th> <th>0004</th> <th>0005</th> <th>0006</th> </tr> </thead> <tbody> <tr> <td rowspan="2">External static pressure</td> <td>150Pa</td> <td>50Pa</td> <td>83Pa</td> <td>217Pa</td> <td>117Pa</td> <td>183Pa</td> <td>250Pa</td> </tr> <tr> <td>(Factory default)</td> <td>-</td> <td>-</td> <td>-</td> <td>-</td> <td>-</td> <td>-</td> </tr> </tbody> </table> <p>The list above is when SW501-1 and SW501-2 is OFF.</p>	Set data	0000	0001	0002	0003	0004	0005	0006	External static pressure	150Pa	50Pa	83Pa	217Pa	117Pa	183Pa	250Pa	(Factory default)	-	-	-	-	-	-	
Set data	0000	0001	0002	0003	0004	0005	0006																			
External static pressure	150Pa	50Pa	83Pa	217Pa	117Pa	183Pa	250Pa																			
	(Factory default)	-	-	-	-	-	-																			
60	Timer set (Wired remote controller)	0000 : Available (Operable) 0001 : Unavailable (Operation prohibited)	0000 : Available																							
77	Dual set point	0000: Unavailable 0002: Available	0000: Unavailable																							
B3	Soft cooling	0000: Unavailable 0001: Available	0001: Available																							
8b	Correction of high heat feeling	0000 : None 0001 : Correction	0000 : None																							
C2	Power saving (Current demand × % to outdoor unit)	0050: 50% to 0100: 100%	0075: 75%																							
CC	Forced stop setting for self clean	0000: None 0001: Set	0000: None																							
Cd	Self clean stop function when [START/STOP] operation was prohibited	When stopping the air conditioner (including "Fire alarm" of the control system, etc.) while [START/STOP] operation is prohibited (Central 1, 2) from the central controller side, 0000: Valid (No self cleaning) 0001: Invalid (Self cleaning)	0000: Valid																							
d0	Existence of Power save operation	0000: Invalid (Unavailable) 0001: Valid (Available)	0001: Valid (Available)																							
d1	Existence of 8°C heating operation function	0000: Invalid (Unavailable)} 0001: Valid (Available)	0000: Invalid (Unavailable)																							
d3	Revolution count of self clean	0000: Invalid (Self cleaning is not performed.) 0011: Valid (Self cleaning is performed at 310 rpm.)	0000: Invalid																							
d4	Display/ No display of [SELF CLEANING] during self clean operation	0000: Displayed, 0001: Not displayed	0000: Displayed																							
F6	Presence of Application control kit	0000: None 0001: Exist	0000: None																							

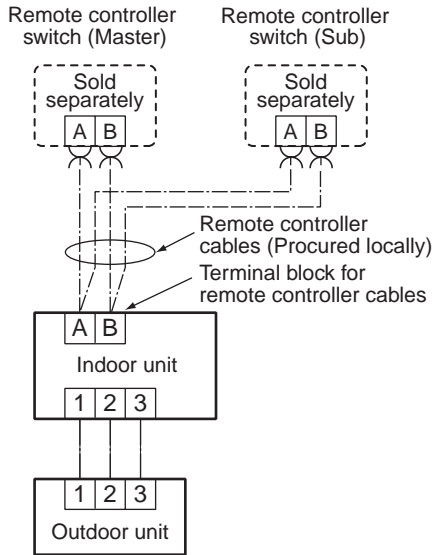
* Restriction ratio setting for save operation (DN code No. [C2]) can be set/changed from the normal DN setup (Detail DN setup).

9-1-4. Cabling and Setting of Remote Controller Control

2-remote controller control (Controlled by 2 remote controllers)

This control is to operate 1 or multiple indoor units are controlled by 2 remote controllers.
(Max. 2 remote controllers are connectable.)

• When connected 2 remote controllers operate an indoor unit



(Setup method)

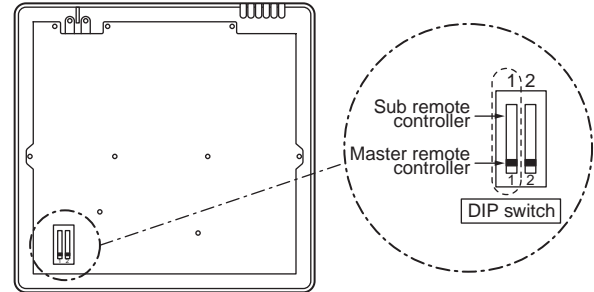
One or multiple indoor units are controlled by two remote controllers.
(Max. 2 remote controllers are connectable.)

<Wired remote controller>

How to set wired remote controller as sub remote controller

Change DIP switch inside of the rear side of the remote controller switch from remote controller master to sub. (In case of RBC-AMT32E)

Remote controller (Inside of the rear side)



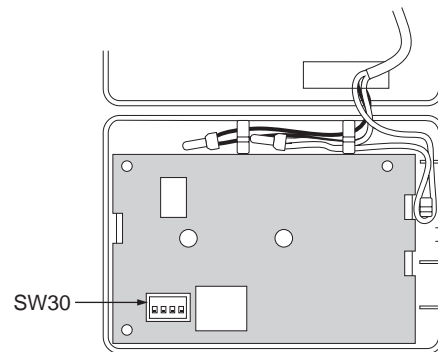
<Wireless remote controller>

Remote controller address (A-B selection) setting

- When two or more signal receiving units are installed in a room, a unique address can be set for each signal receiving unit to prevent interference.
- Address (A-B selection) must be changed on both signal receiving unit and wireless remote controller.
- For the details of address change (A-B selection) on wireless remote controller, refer to the owner's manual.

Turn off the indoor unit power supply. Turn on the bit 3 of DIP switch SW30 on the signal receiving unit P.C. board.

The setting change is shown below.



DIP-Switch [SW30]

4	ON=Follower	OFF=Header
3	ON=B	OFF=A
2	Not used	
1	Not used	

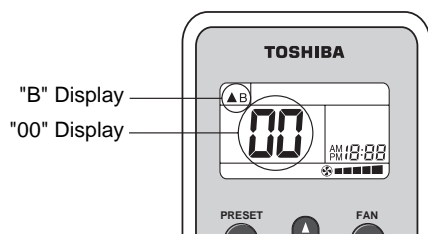


Wireless remote controller (A-B selection)

Using 2 wireless remote controllers for the respective air conditioners, when the 2 air conditioners are closely installed.

Wireless remote controller B setup

1. Start the air conditioner.
2. Point the wireless remote controller at the indoor unit.
3. Push and hold **CHK** ● button on the wireless remote controller by the tip of the pencil.
"00" will be shown on the display.
4. Push **MODE** ● button during **CHK** ● pushing .
"B" will be shown on the display and "00" will be disappear and the air conditioner will turn OFF.
The wireless remote controller B is memorized.



NOTE

- Repeat above step to reset wireless remote controller to be A.
- The wireless remote controllers do not display "A".
- The factory default of the wireless remote controllers is "A".
- A-B selection can be set with signal receiving unit.
For the further details, refer to the installation manual.

9-1-5. Monitor Function of Remote Controller

■ Calling of sensor temperature display

<Contents>

Each sensor temperature of the remote controller, indoor unit, and outdoor unit can become known by calling the service monitor mode from the remote controller.

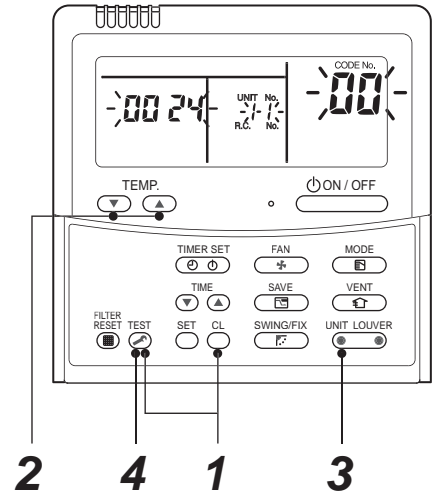
<Procedure>

- 1 Push **TEST** + **CL** buttons simultaneously for 4 seconds to call the service monitor mode.

The service monitor goes on, the master indoor unit No. is displayed, at first and then the temperature of **CODE No. 00** is displayed.

- 2 Push temperature set **TEMP.** buttons and then change the **CODE No.** of data to be monitored.

The item code list is shown below:



<Operation procedure>

1 → 2 → 3 → 4

Returned to usual display

	CODE No.	Data name	Unit
Indoor unit data	01	Room temperature (Remote controller)	°C
	02	Indoor suction temperature (TA)	°C
	03	Indoor heat exchanger (Coil) temperature (TCJ)	°C
	04	Indoor heat exchanger (Coil) temperature (TC)	°C
	07	Indoor fan revolution frequency	rpm
	F2	Indoor fan calculated operation time	×100h
	F3	Filter sign time	×1h

	CODE No.	Data name	Unit	
Outdoor unit data	60	Outdoor heat exchanger (Coil) temperature (TE)	°C	
	61	Outside temperature (TO)	°C	
	62	Compressor discharge temperature (TD)	°C	
	63	Compressor suction temperature (TS)	°C	
	65	Heat sink temperature (THS)	°C	
	6A	Operation current (× 1/10)	A	
	6D	Outdoor heat exchanger (Coil) temperature (TL)	°C	
	70	Compressor operation frequency	rps	
	72	Outdoor fan revolution frequency (Lower)	rpm	
	73	Outdoor fan revolution frequency (Upper)	rpm	
	F1	Compressor calculated operation time	×100h	



- 3 Push **UNIT LOUVER** button to select the indoor unit to be monitored. Each data of the indoor unit and its outdoor units can be monitored.



- 4 Pushing **TEST** button returns the status to the usual display.

- The data value of each item is not the real time, but value delayed by a few seconds to ten-odd seconds.
- If the combined outdoor unit is one before 2 or 3 series, the outdoor unit data [6D], [70], [72] and [73] are not displayed.

■ Calling of trouble history

<Contents>

The trouble contents in the past can be called.

<Procedure>

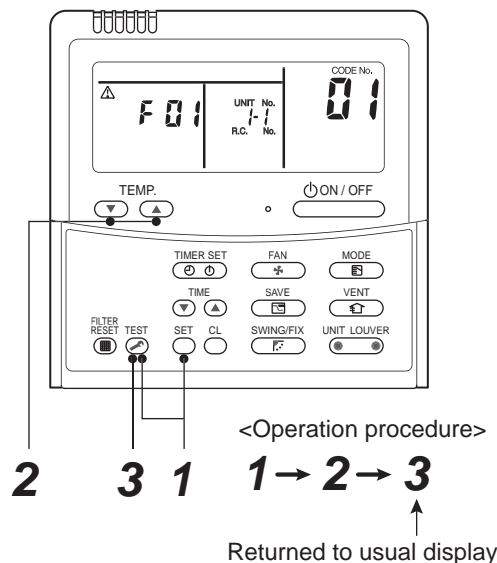
- 1 Push **CL** + **TEST** buttons simultaneously for 4 seconds or more to call the service check mode.

Service Check goes on, the **CODE No. 01** is displayed, and then the content of the latest alarm is displayed.
The number and trouble contents of the indoor unit in which trouble occurred are displayed.

- 2 In order to monitor another trouble history, push the set temperature **▼** / **▲** buttons to change the trouble history No. (CODE No.)

CODE No. 01 (Latest) → **CODE No. 04** (Old)
NOTE : 4 trouble histories are stored in memory.

- 3 Pushing **TEST** button returns the display to usual display.



REQUIREMENT

Do not push **CL** button, otherwise all the trouble histories of the indoor unit are deleted. If the trouble histories are deleted by pushing CL button, turn off the power supply once and then turn on the power supply again.
When the trouble which is same as one occurred at the last before deletion continuously occurs again, it may not be stored in memory.

(Group control operation)

In a group control, operation of maximum 8 indoor units can be controlled by a remote controller.
The indoor unit connected with outdoor unit (Individual/Header) controls room temperature according to setting on the remote controller.

<System example>

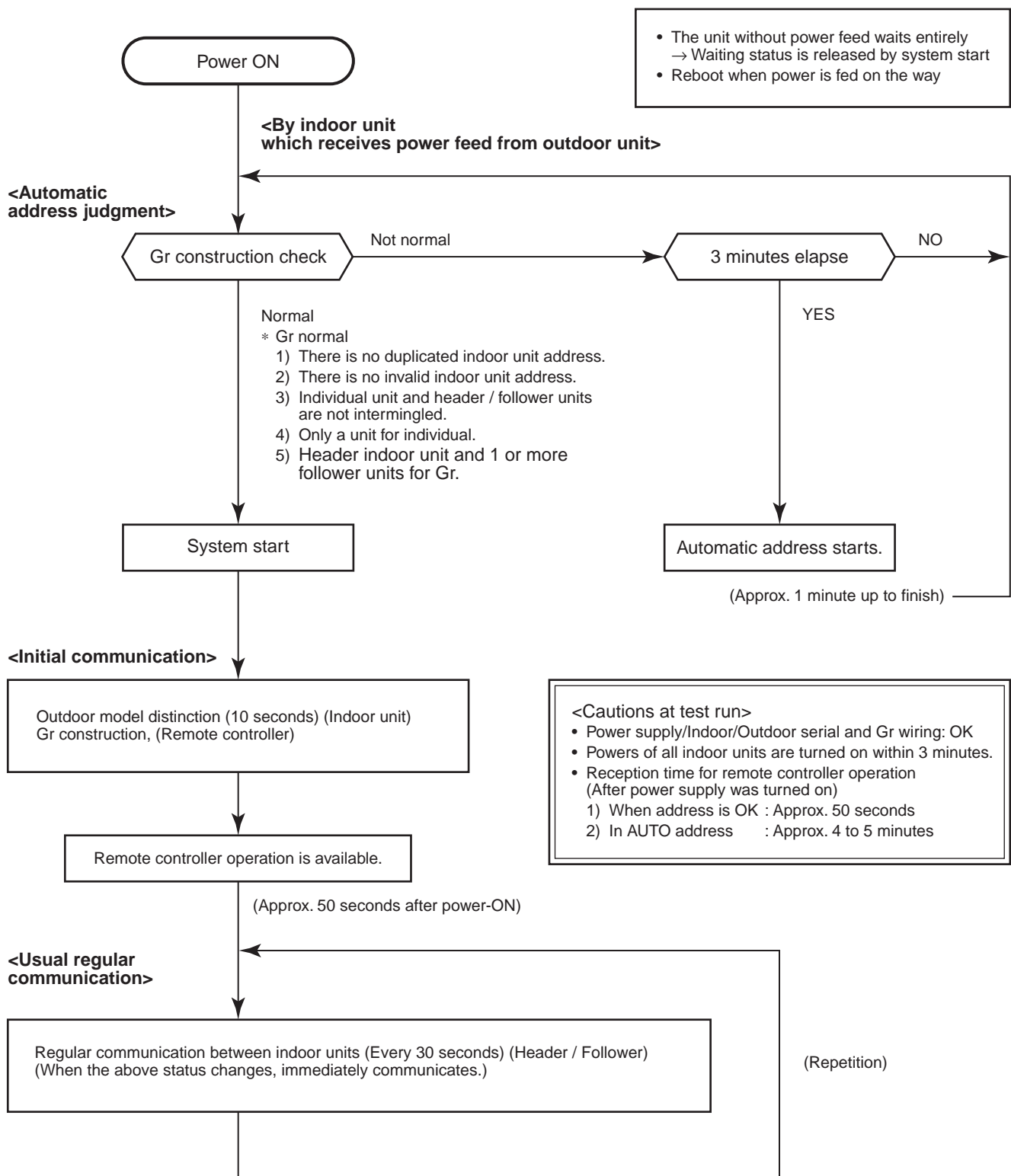


1. Display range on remote controller
The setup range (Operation mode/Air volume select/Setup temp) of the indoor unit which was set to the header unit is reflected on the remote controller.
 - 1) Concealed duct high static pressure type (RAV-SMXXX) is not set up on the header unit.
 - If the Concealed duct high static pressure type is the header unit:
Operation mode: [Cooling/Heating AUTO] [HEAT] [COOL] [FAN] and no [DRY]
Air volume select: [HIGH]
 - When the operation mode is [DRY], [FAN] stops in concealed duct high static pressure models.
2. Address setup
If there is no serial communication between indoor and outdoor when the power is turned on, it is judged as follower unit of the twin. (Every time when the power is turned on)
 - The judgment of header (wired) / follower (simple) of twin is carried out every time. It is not stored in non-volatile memory.

Turn on power of the indoor unit to be controlled in a group within 3 minutes after setting of automatic address.
If power of the indoor unit is not turned on within 3 minutes (completion of automatic address setting), the system is rebooted and the automatic address setting will be judged again.

- 1) Connect indoor/outdoor connecting wire surely.
- 2) Check line address/indoor address/group address of the unit one by one.
- 3) The unit No. (line/indoor gout address) which have been set once keep the present status as a rule if the unit No. is not duplicated with one of another unit.

■ Indoor unit power-ON sequence



- In a group operation, if the indoor unit which was fed power after judgment of automatic address cannot receive regular communication from the header unit and regular communication on identical pipe within 120 seconds after power was turned on, it reboots (system reset).
→ The operation starts from judgment of automatic address (Gr construction check) again.
(If the address of the header unit was determined in the previous time, the power fed to the header unit and reboot works, the header unit may change though the indoor unit line address is not changed.)

9-2. Setup at Local Site / Others

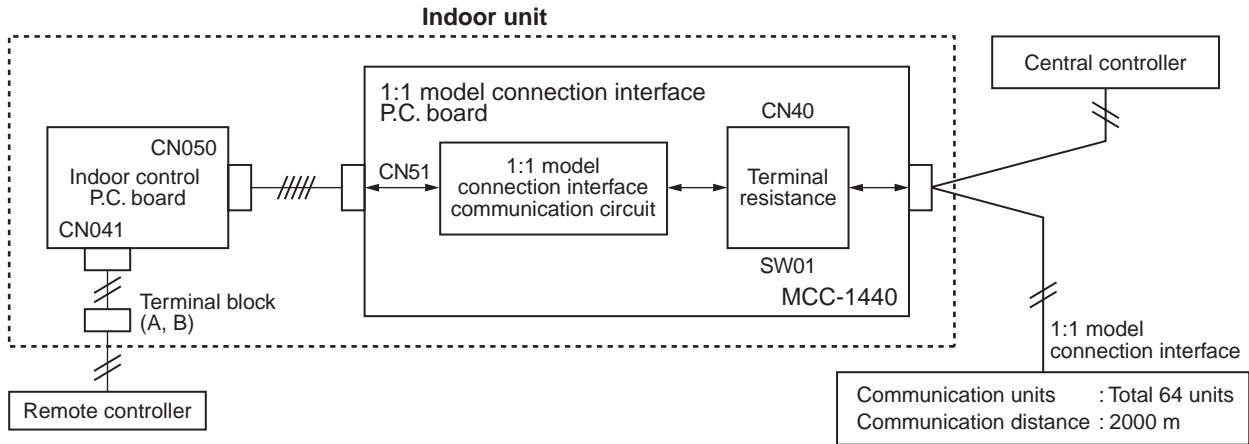
Model name: TCB-PCNT30TLE2

9-2-1. 1:1 Model Connection Interface

1. Function

This model is an optional P.C. board to connect the indoor unit to 1:1 model connection interface.

2. Microprocessor block diagram

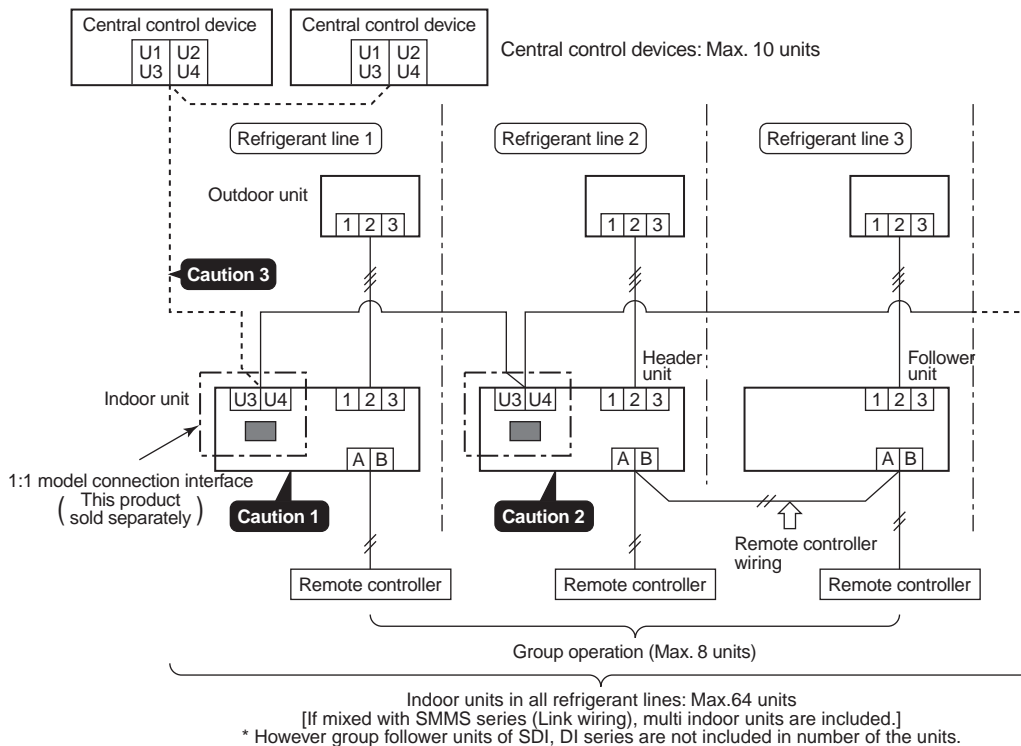


3. 1:1 model connection interface wiring connection



- 1) When controlling customized setup collectively, 1:1 model connection interface (This option) is required.
- 2) In case of group operation, the 1:1 model connection interface is necessary to be connected to the main unit.
- 3) Connect the central control devices to the central control system wiring.
- 4) When controlling DI, SDI series only, turn on only Bit 1 of SW01 of the least line of the system address No. (OFF when shipped from the factory)

* In case of DI, SDI series, the address is necessary to be set up again from the wired remote controller after automatic addressing.



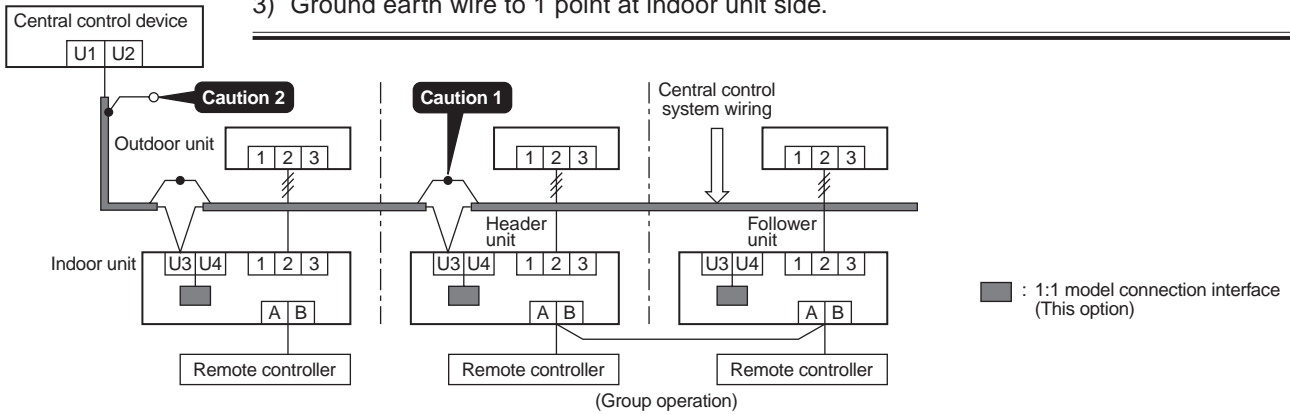
4. Wiring specifications

- Use 2-core with no polar wire.
- Match the length of wire to wire length of the central control system.
If mixed in the SMMS system, the wire length is lengthened with all indoor/outdoor inter-unit wire length at side.
- To prevent noise trouble, use 2-core shield wire.
- Connect the shield wire by closed-end connection and apply open process (insulating process) to the last terminal. Ground the earth wire to 1 point at indoor unit side. (In case of central controlling of digital inverter (DI, SDI) unit setup)

No. of wires	Size
2	Up to 1000m: twisted wire 1.25mm ² Up to 2000m: twisted wire 2.0mm ²

⚠ CAUTION

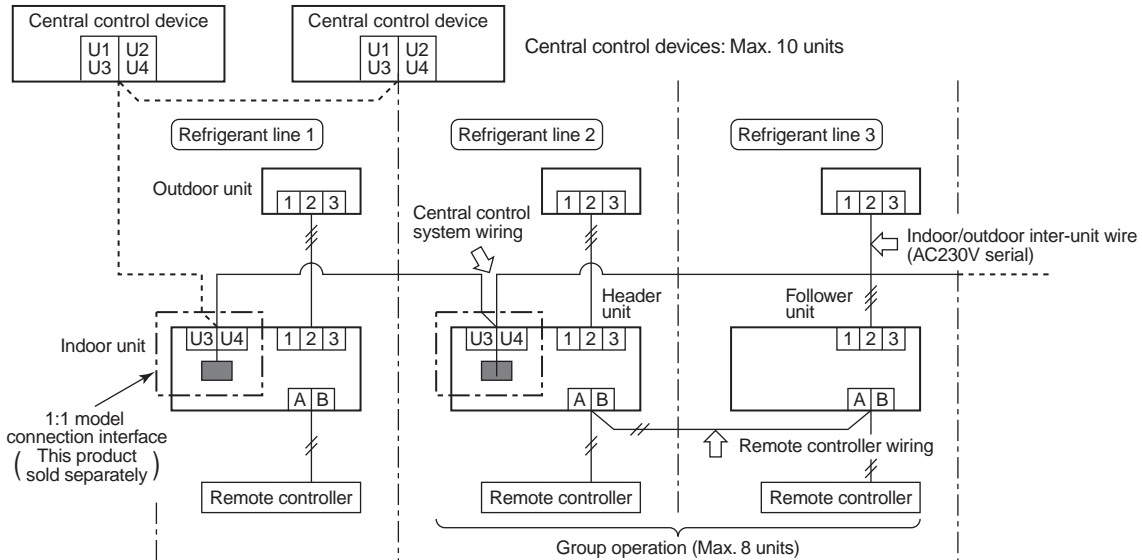
- 1) Closed-end connection of shield wire (Connect all the connecting parts of each indoor unit)
- 2) Apply open process to the last terminal (insulating process).
- 3) Ground earth wire to 1 point at indoor unit side.



5. P.C. board switch (SW01) setup

When performing collective control by DI or SDI only, the setup of terminator is necessary.

- Using SW01, set up the terminator.
- Set up the terminator to only the adapter connected to the indoor unit of least line address No.



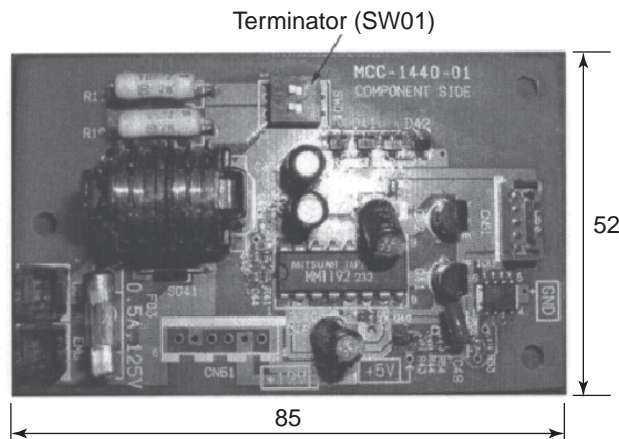
Line address	1	2
SW01 Bit 1	ON	OF
SW01 Bit 2	OFF	OFF
Remarks	Turn SW01 Bit 1 to ON.	As status shipped from factory

(OFF at shipment from factory)
(OFF at shipment from factory)

(Reference) Setup contents of switch

SW01		Terminator	Remarks
Bit 1	Bit 1		
OFF	OFF	None	Mixed with multi (Link wiring) at shipment from factory
ON	OFF	100Ω	Central control by digital inverter only
OFF	ON	75Ω	Spare
ON	ON	43Ω	Spare

6. External view of P.C. board assembly



7. Address setup

In addition to set up the central control address, it is necessary to change the indoor unit number. (Line/Indoor/Group address). For details, refer to 1:1 model connection interface Installation Manual.

9-3. How to Set up Central Control Address Number

When connecting the indoor unit to the central control remote controller using 1:1 model connection interface, it is necessary to set up the central control address number.

- The central control address number is displayed as the line No. of the central control remote controller.

<Procedure> Perform setup while the unit stops.

1 Push + buttons for 4 seconds or more.

When group control is executed, first the unit No. **ALL** is displayed and all the indoor units in the group control are selected. In this time, fans of all the selected indoor units are turned on. (Fig. 1)
(Keep **ALL** displayed status without pushing button.)

In case of individual remote controller which is not group-controlled, Line address and Indoor unit address are displayed.

2 Using temperature setup buttons, specify CODE No. 03.

3 Using timer time buttons, select the setup data. The setup data is shown in the table below (Table 1).

4 Push button. (OK if display goes on.)

- To change the item to be set up, return to Procedure 2.

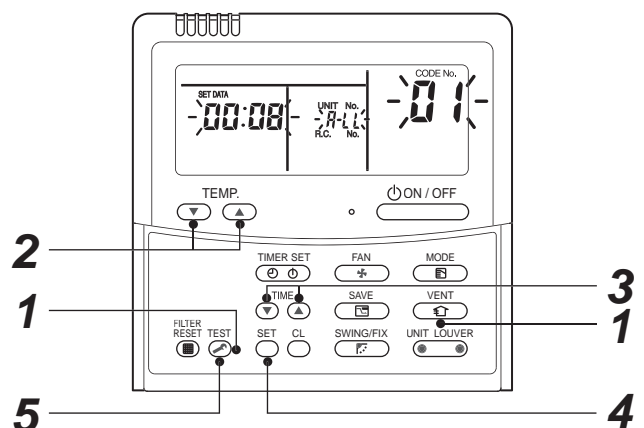
5 Push button.

The status returns to usual stop status.

(Table 1)

Setup data	Central control address No.
0001	1
0002	2
0003	3
⋮	⋮
0064	64
0099	Unset (Setup at shipment from factory)

(Fig.1)



How to confirm the central control address (New function for AMT32E remote controller)

<Procedure> It can be confirmed even during operation or stopping.

1 Push UNIT of  button for 4 seconds or more.



2 In the frame at left side of the remote controller screen, the lighting set contents are displayed.

During unset time, *0099* (At shipment from factory) is displayed.



3 After lighting display for 3 seconds, the display automatically disappears.

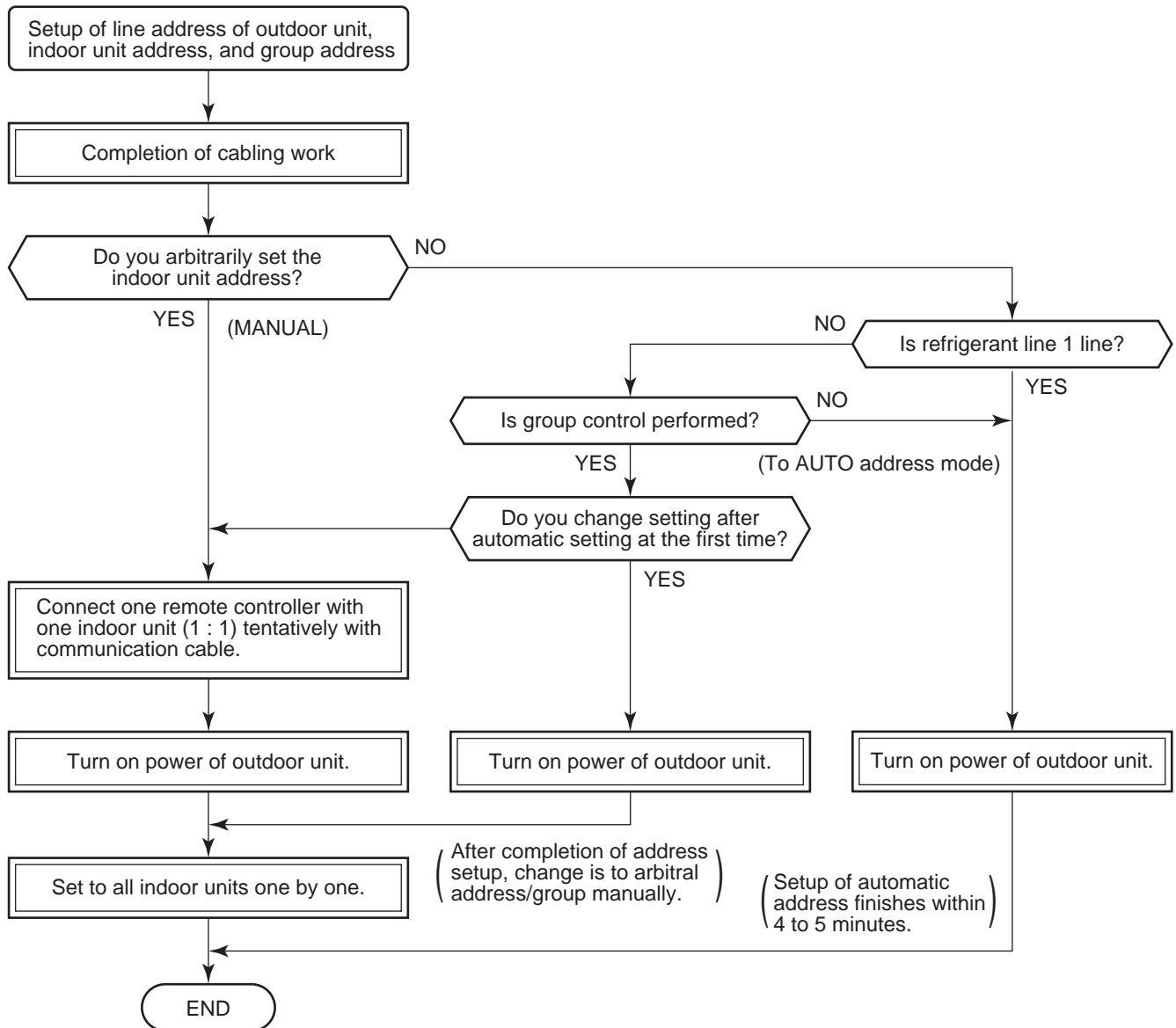
If any button is pushed during display, immediately the display disappears and then the pushed button is displayed.

10. ADDRESS SETUP

10-1. Address Setup Procedure

When an outdoor unit and an indoor unit are connected, or when an outdoor unit is connected to each indoor unit respectively in the group operation even if multiple refrigerant lines are provided, the automatic address setup completes with power-ON of the outdoor unit.

The operation of the remote controller is not accepted while automatic address works. (Approx. 4 to 5 minutes)



- When the following addresses are not stored in the neutral memory (IC503) on the indoor P.C. board, a test run operation cannot be performed. (Unfixed data at shipment from factory)

	CODE No.	Data at shipment	Setup data range
Line address	12	0099	0001 (No. 1 unit) to 0030 (No. 30 unit)
Indoor unit address	13	0099	0001 (No. 1 unit) to 0064 (No. 64 unit) Max. value of indoor units in the identical refrigerant line
Group address	14	0099	0000 : Individual (Indoor units which are not controlled in a group) 0001 : Header unit (1 indoor unit in group control) 0002 : Follower unit (Indoor units other than master unit in group control)

10-2. Address Setup & Group Control

<Terminology>

Indoor unit No. : N - n = Outdoor unit line address N (Max. 30) - Indoor unit address n (Max. 64)

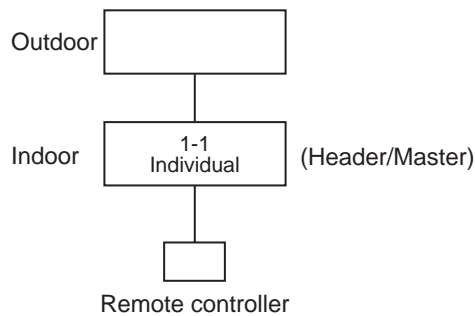
Group address : 0 = Single (Not group control)
 1 = Header unit in group control
 2 = Follower unit in group control

Header unit (= 1) : The representative of multiple indoor units in group operation sends/receives signals to/from the remote controllers and follower indoor units.
 (* It has no relation with an indoor unit which communicates serially with the outdoor units.)
 The operation mode and setup temperature range are displayed on the remote controller LCD.

Follower unit (= 2) : Indoor units other than header unit in group operation
 Basically, follower units do not send/receive signals to/from the remote controllers.
 (Except troubles and response to demand of service data)

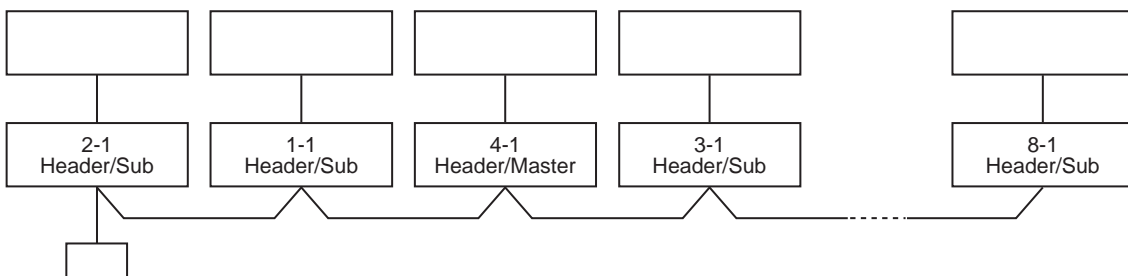
10-2-1. System Configuration

1. Single



2. Single group operation

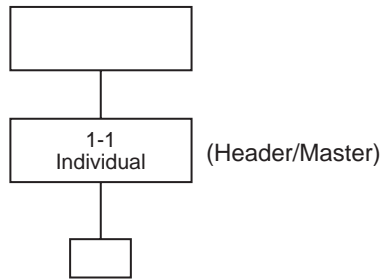
- Each indoor unit controls the outdoor unit individually.



10-2-2. Automatic Address Example from Unset Address (No miswiring)

1. Standard (One outdoor unit)

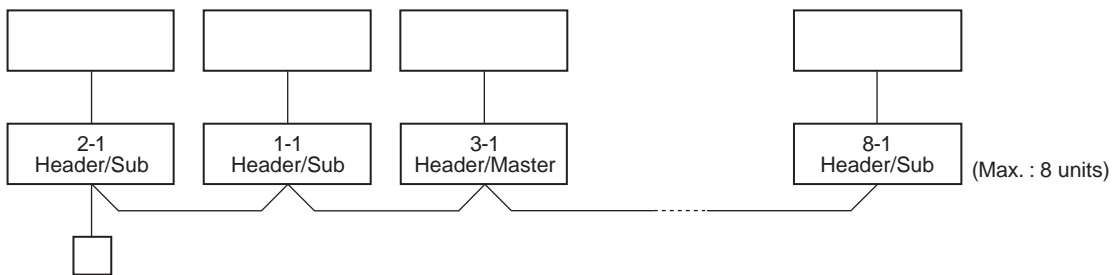
1) Single



Only turning on source power supply (Automatic completion)

2. Group operation

(Multiple outdoor units = Multiple indoor units with serial communication only, without twin)

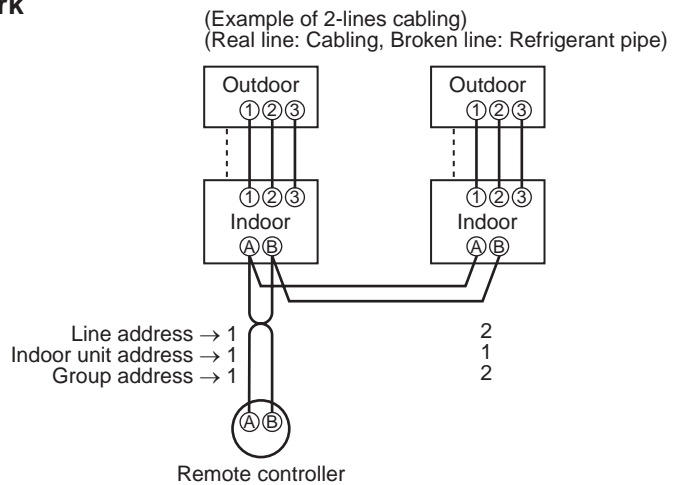


Only turning on source power supply (Automatic completion)

10-3. Address Setup (Manual Setting from Remote Controller)

In case that addresses of the indoor units will be determined prior to piping work after cabling work

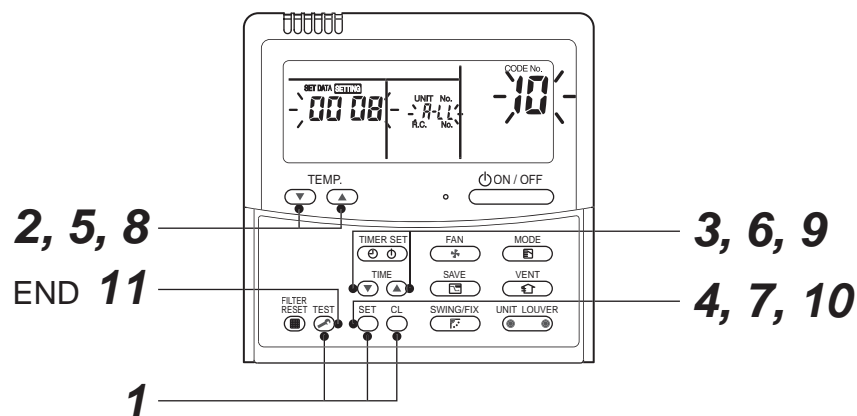
- Set an indoor unit per a remote controller.
- Turn on power supply.



For the above example, perform setting by connecting singly the wired remote controller without remote controller inter-unit cable.

Group address
Individual : 0000
Header unit : 0001
Follower unit : 0002 } In case of group control

- 1 Push **SET** + **CL** + **TEST** buttons simultaneously for 4 seconds or more.
- 2 (← Line address)
Using the temperature setup **▼** / **▲** buttons, set **12** to the CODE No.
- 3 Using timer time **▼** / **▲** buttons, set the line address.
- 4 Push **SET** button. (OK when display goes on.)
- 5 (← Indoor unit address)
Using the temperature setup **▼** / **▲** buttons, set **13** to the CODE No.
- 6 Using timer time **▼** / **▲** buttons, set 1 to the line address.
- 7 Push **SET** button. (OK when display goes on.)
- 8 (← Group address)
Using the temperature setup **▼** / **▲** buttons, set **14** to the CODE No.
- 9 Using timer time **▼** / **▲** buttons, set **0000** to Individual, **0001** to Master unit, and **0002** to sub unit.
- 10 Push **SET** button. (OK when display goes on.)
- 11 Push **TEST** button.
Setup completes. (The status returns to the usual stop status.)



<Operation procedure>

1 → 2 → 3 → 4 → 5 → 6 → 7 → 8 → 9 → 10 → 11 END

10-4. Confirmation of indoor unit No. position

1. To know the indoor unit addresses though position of the indoor unit body is recognized

- In case of individual operation (Wired remote controller : indoor unit = 1 : 1)
(Follow to the procedure during operation)

<Procedure>

1 Push  button if the unit stops.

2 Push UNIT of  button.

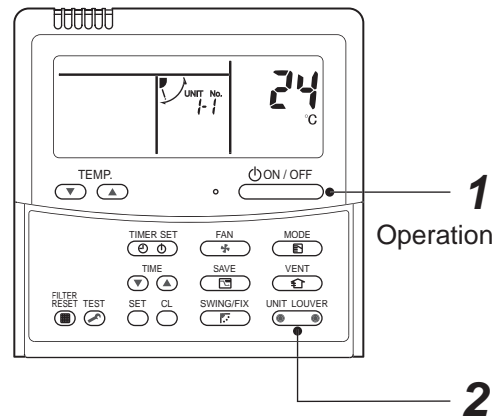
Unit No. *1-1* is displayed on LCD.

(It disappears after several seconds.)

The displayed unit No. indicate line address and indoor unit address.

(When other indoor units are connected to the identical remote controller (Group control unit), other unit numbers are also displayed every pushing

 button.



<Operation procedure>

1 → 2 END

2. To know the position of indoor unit body by address

- To confirm the unit No. in the group control
(Follow to the procedure during operation) (in this procedure, the indoor units in group control stop.)

<Procedure>

The indoor unit numbers in the group control are successively displayed, and fan, and drain pump of the corresponding indoor unit are turned on.

(Follow to the procedure during operation)

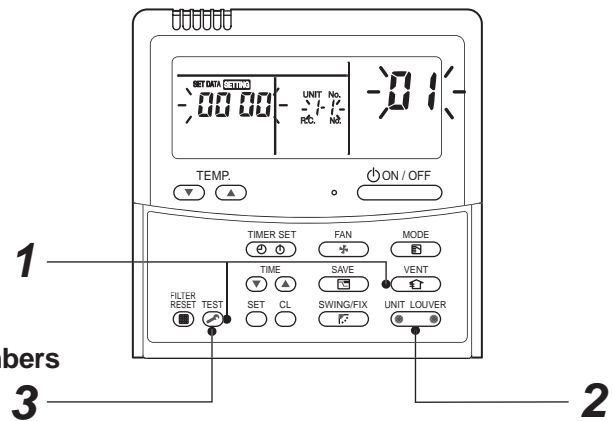
1 Push  and  buttons simultaneously for 4 seconds or more.

- Unit No. **ALL** is displayed.
- Fans of all the indoor units in the group control operate.

2 Every pushing UNIT of  button, the unit numbers in the group control are successively displayed.

- The unit No. displayed at the first time indicates the master unit address.
- Fan of the selected indoor unit only operate.

3 Push  button to finish the procedure.
All the indoor units in the group control stop.



<Operation procedure>

1 → 2 → 3 END

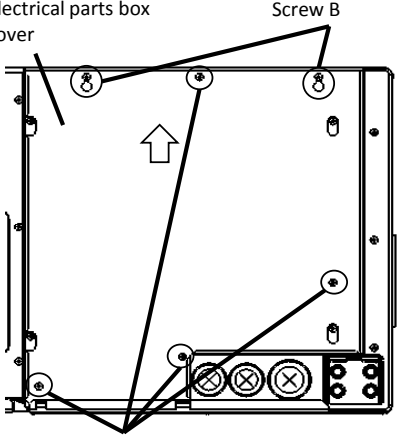
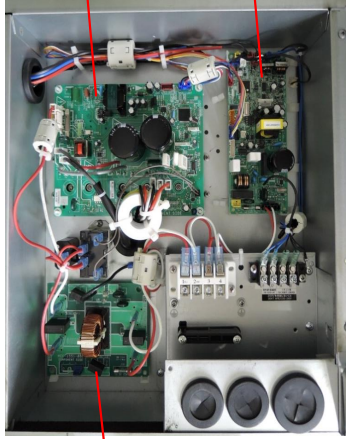

11. DETACHMENTS



⚠ WARNING

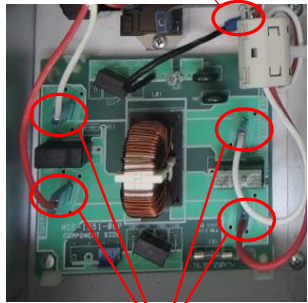
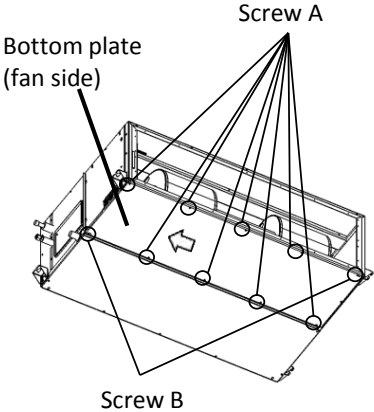
Be sure to stop operation of the air conditioner before work and then turn off switch of the breaker.

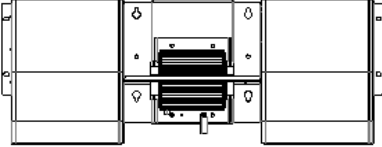
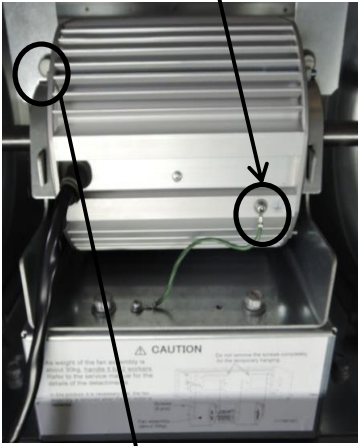
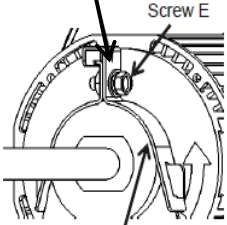
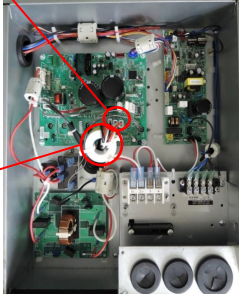
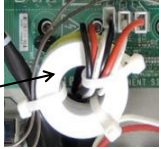
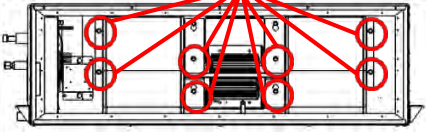
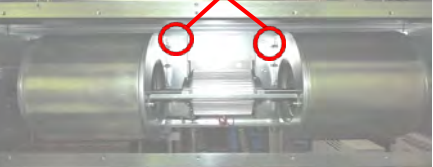
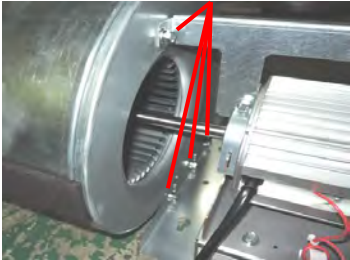

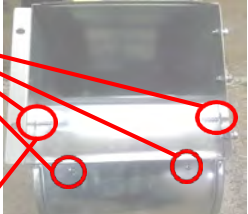


⚠ CAUTION

Be sure to put on gloves during working time; otherwise an injury will be caused by a part, etc.

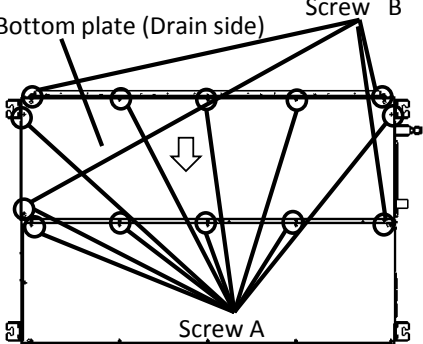
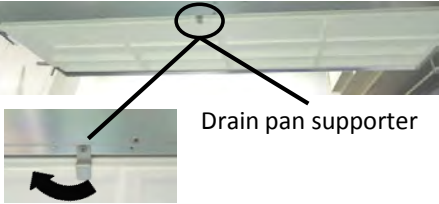

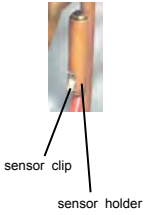

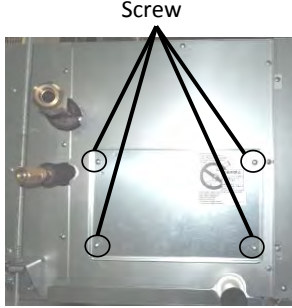
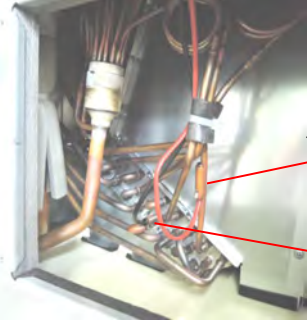
No.	Part name	Procedure	Remarks
①	Electrical parts box cover	<p>1. Detachment</p> <ol style="list-style-type: none"> Remove the fixing screws A fixing the electrical parts box cover. Loosen the fixing screws B. Slide the electrical parts box cover to the arrow direction and remove the electrical parts box cover. <p>2. Attachment</p> <ol style="list-style-type: none"> Hang the electrical parts box cover to the screws B and tighten the screws. Attach the removed screws A to the original positions. 	<p>Electrical parts box cover</p>  <p>Screw B</p> <p>Screw A</p> <p>Fan control P.C. board MCC-1610</p> <p>Control P.C. board MCC-1643</p>  <p>Noise filter P.C. board MCC-1551</p>
②	Control P.C. board MCC-1643	<p>1. Detachment</p> <ol style="list-style-type: none"> Perform 1 of ① to remove the electrical parts box cover. Remove the connector of the below No. from the P.C. board. Unlock the locking card spacers (4 positions) in the electrical parts box to remove the control P.C. board. <p>CN41 : A,B terminal block (2P, Blue) CN67 : Power supply terminal block (5P: Black) CN101 : TC sensor (2P, Black) CN102 : TCJ sensor (2P, Red) CN104 : TA sensor (2P, Yellow) CN521 : UART(5P,Red) CN22 : Ground (Faston terminal) CN34 : Float switch (3P, Red) *Option</p> <p>NOTE</p> <p>First unlock the housing and then remove the connectors.</p>	 <p>TA Sensor CN104</p> <p>TC Sensor CN101</p> <p>TCJ Sensor CN102</p> <p>A,B terminal CN41</p> <p>Float switch CN34</p> <p>UART CN521</p> <p>Ground CN22</p> <p>Power supply CN67</p> <p>Card spacer (4 positions)</p>

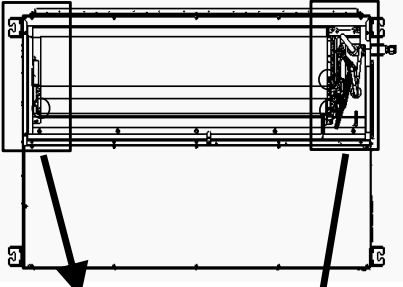

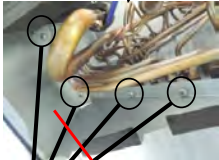
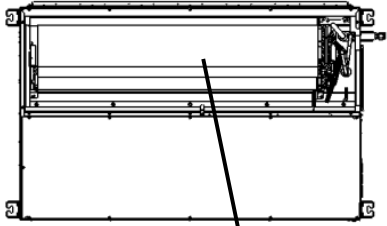
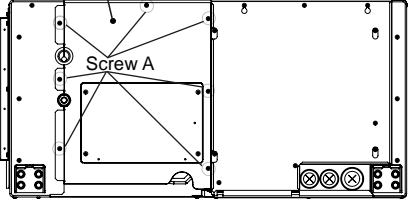
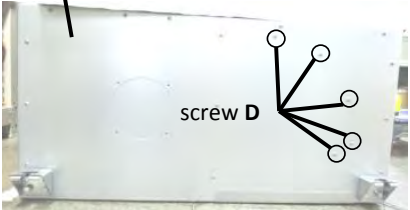
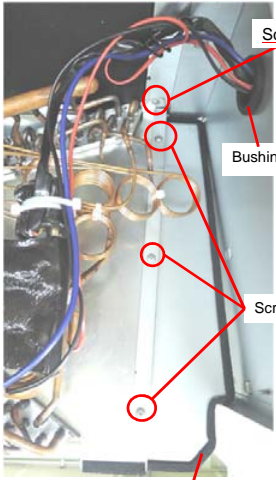

No.	Part name	Procedure	Remarks
②	Control P.C. board MCC-1643	<p>2. Attachment</p> <p>1) Mount the control P.C. board in the electrical parts box as before.</p> <p>2) Be sure to wire in the electric parts box as before.</p> <p>NOTE 1</p> <hr/> <p>Check if there is no missing or contact failure of the connectors.</p> <hr/> <p>NOTE 2</p> <hr/> <p>Be sure to wire as before.</p> <hr/> <p>3) Attach the electrical parts box cover as before.</p>	
③	Fan control P.C. board MCC-1610	<p>1. Detachment</p> <p>1) Perform 1 of ① to remove the electrical parts box cover.</p> <p>2) Remove the connector of the below No. from the P.C. board.</p> <p>CN504 : UART (5P, Blue)</p> <p>CN500 : Power supply terminal block (3P: White)</p> <p>CN510 : Reactor (Faston terminal)</p> <p>CN511 : Reactor (Faston terminal)</p> <p>CN602 : Relay (2P, Black)</p> <p>CN703 : Fan motor (Black wire) W</p> <p>CN704 : Fan motor (White wire) V</p> <p>CN705 : Fan motor (Red wire) U</p> <p>NOTE</p> <hr/> <p>First unlock the housing and then remove the connectors.</p> <hr/> <p>3) Remove the screws A.</p> <p>4) Unlock the card edge spacers (4 positions) in the electrical parts box to remove the fan control P.C. board.</p> <p>2. Attachment</p> <p>1) Mount the fan control P.C. board in the electrical parts box as before.</p> <p>2) Be sure to wire in the electrical parts box as before.</p> <p>NOTE 1</p> <hr/> <p>Check if there is no missing or contact failure of the connectors.</p> <hr/> <p>NOTE 2</p> <hr/> <p>Be sure to wire as before.</p> <hr/> <p>4) Attach the electrical parts box cover as before.</p>	<p>Power supply CN500</p> <p>Uart CN504</p>  <p>Reactor CN510,511</p> <p>Fan motor CN703,704,705</p> <p>Relay CN602</p>  <p>Screw A</p>




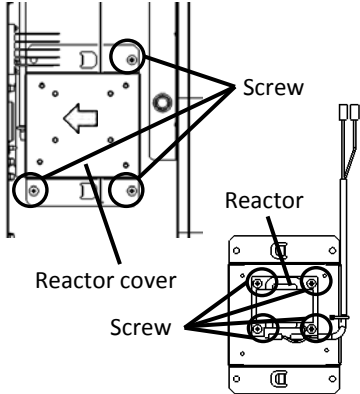
No.	Part name	Procedure	Remarks
④	Noise filter P.C. board MCC-1551	<p>1. Detachment</p> <ol style="list-style-type: none"> Perform 1 of ① to remove the electrical parts box cover. Remove the connector of the below No. from the P.C. board. CN01 : Power supply (Red wire) CN02 : Power supply (White wire) CN03 : Power supply (Red wire) CN04 : Power supply (White wire) Remove the screw of the earth wire. Unlock the card edge spacers (4 positions) in the electrical parts box to remove the noise filter P.C. board. <p>NOTE</p> <hr/> <p>First unlock the housing and then remove the connectors.</p> <hr/> <p>2. Attachment</p> <ol style="list-style-type: none"> Mount the noise filter P.C. board in the electrical parts box as before. Be sure to wire in the electric parts box as before. <p>NOTE 1</p> <hr/> <p>Check if there is no missing or contact failure of the connectors.</p> <hr/> <p>NOTE 2</p> <hr/> <p>Be sure to wire as before.</p> <hr/> <ol style="list-style-type: none"> Attach the electrical parts box cover as before. 	 <p>Earth screws</p> <p>CN04</p> <p>CN03</p> <p>CN02</p> <p>CN01</p> <p>Power supply</p>
⑤	Bottom plate (fan side)	<p>1. Detachment</p> <ol style="list-style-type: none"> Remove the screw A fixing the bottom plate (fan side). Loosen the screw B. Slide the bottom plate (fan side) to the arrow direction and remove the bottom plate (fan side). <p>2. Attachment</p> <ol style="list-style-type: none"> Hang the bottom plate (fan side) to the screw B. Attach the removed screw A to the original positions. Attach the bottom plate (fan side) as before. 	 <p>Screw A</p> <p>Bottom plate (fan side)</p> <p>Screw B</p>

No.	Part name	Procedure	Remarks
⑥	Fan motor, Fan	<p>1. Detachment</p> <ol style="list-style-type: none"> 1) Perform 1 of ① to remove the electrical parts box cover. 2) Remove the connectors of the wires of the fan motor from the fan control P.C. board. CN703 : Fan motor (Black wire) CN704 : Fan motor (White wire) CN705 : Fan motor (Red wire) 3) Remove the ferrite core from wire of the fan motor. 4) Perform 1 of ⑤ to remove the bottom plate(fan side). 5) Remove the screw A (M8 x 20, 8 pcs) and loosen the screw B (M8 x 20, 2 pcs). (The fan motor is in the temporary hanging state by the fixing plate.) 6) Remove the fan assembly.  <p style="text-align: center;">Fan assembly</p> <p>⚠ CAUTION</p> <p>Weight of the fan assembly is about 30kg. Handle it by 2 workers.</p> <ol style="list-style-type: none"> 7) Remove the screw C (M8 x 20, 8 pcs). 8) Loosen the hexagonal bolt of the fan and pull out the fan from the shaft. 9) Remove the screw D (4 pcs) from the fan case and remove the nose plate and then take out the fan. 10) Remove the earth screw of fan motor. 11) Remove the screw E (M8 x 20, 2 pcs) and remove the motor fixing plate and fan motor. <p style="text-align: center;">Earth screw</p>   <p style="text-align: center;">Motor fixing plate</p>	<p>Wires of the fan motor CN703 CN704 CN705</p>  <p>Ferrite core</p>  <p>Ferrite core</p> <p>Screw A</p>  <p>Screw B</p>  <p>Screw C</p>  <p>hexagonal bolt</p>  <p>Screw D</p>    <p>Nose plate</p>

No.	Part name	Procedure	Remarks
⑥	Fan motor, Fan,	<p>2. Attachment</p> <p>1) Screw the fan motor with the motor fixing plate. (M8 x 20, 2 pcs).</p> <p>NOTE</p> <hr/> <p>Fix the wiring of the motor on the electrical parts box side as right figure.</p> <hr/> <p>2) Attach the earth screw. 3) Put the fan in the fan case. Attach the nose plate to the original position on the fan case.</p> <p>NOTE</p> <hr/> <p>Adjust the direction of the fan blade.</p> <hr/> <p>4) Insert the fan to the shaft. 5) Tighten the Screw C. (M8 x 20, 8 pcs) 6) Insert the fan to where the shaft of the fan motor stops, and adjust the flat portion(2 places), then tighten the hexagon head bolt.</p> <p>NOTE</p> <hr/> <p>Check that if the fan rotate smoothly without touching the fan case.</p> <hr/> <p>NOTE</p> <hr/> <p>Be sure to use a torque wench for fixing and tighten with 10.0N•m</p> <hr/> <p>7) Hook the fan assembly on the looser screw B. 8) Tighten the screw A and B.(M8 x 20, 10 pcs) 9) A ferrite core is attached to the wire of a fan motor as before within an electric part box. Connect the wires of the fan motor as before, and close and fix the electrical parts box cover. Be sure to wire in the electrical parts box as before. 10) Attach the bottom plate(fan side) to the original position.</p> <p>NOTE</p> <p>When the ferrite core is attached to the earth wire of a fan motor as below photo, please repairing work indicated to P96 ~ 99.</p> <div data-bbox="352 1639 691 1912" data-label="Image"> </div> <p data-bbox="719 1740 963 1783">Ferrite core attached in earth lead of motor</p>	<div data-bbox="997 197 1442 383" data-label="Image"> </div> <div data-bbox="1043 472 1390 891" data-label="Image"> </div> <div data-bbox="1059 927 1406 1245" data-label="Image"> </div> <div data-bbox="1043 1281 1401 1693" data-label="Image"> </div> <div data-bbox="1002 1727 1334 2013" data-label="Image"> </div>

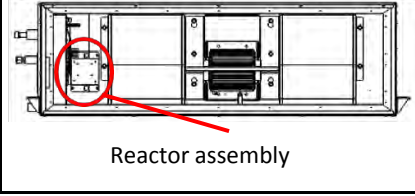
No.	Part name	Procedure	Remarks
⑦	Drain pan	<p>1. Detachment</p> <p>1) Remove the drain hose or drain cap and then extract the drain water accumulated in the drain pan.</p> <p>NOTE</p> <p>When removing the drain hose or drain cap, be sure to take the drain water with a bucket, etc.</p> <p>2) Remove the screw A fixing the bottom plate. (9 positions) Loosen the screw B. (4 positions)</p> <p>3) Slide the bottom plate (drain side) to the arrow direction and then remove the panel.</p> <p>4) Loosen the screw of the drain pan supporter, and turn the drain pan supporter.</p> <p>5) Lower the drain pan of the drain socket side, and remove it to the arrow direction slowly.</p> <p>CAUTION</p> <p>When removing the drain pan, do not hold the drain socket. (Water leakage may occur.)</p> <p>2. Attachment</p> <p>1) Put back the drain pan, and turn back the drain pan supporter and fix it with the screws.</p> <p>2) Attach the bottom plate (drain side) to the original position.</p>	  <p>Drain pan supporter</p> <p>Drain pan pull-out direction.</p>  <p>Drain pan</p> <p>Drain socket</p>
⑧	Sensor TC, TCJ	<p>1. Detachment</p> <p>1) Perform 1 of ① to remove the electrical parts box cover.</p> <p>2) Loosen the fixing screws of the inspection cover and remove the inspection cover.</p> <p>3) Remove the connectors of the wires of TC sensor and TCJ sensor from the control P.C. board.</p> <p>CN101 : TC sensor (2P, Black) CN102 : TCJ sensor (2P, Red)</p> <p>4) Remove the sensor from the sensor holder.</p>   <p>Control P.C. board MCC-1643</p> <p>2. Attachment</p> <p>1) Attach the TC sensor and TCJ sensor to the original position.</p> <p>2) Attach the inspection cover as before.</p> <p>3) Attach the wires of TC sensor, and TCJ sensor as before.</p> <p>4) Attach the electrical parts box cover as before.</p>	 <p>Screw</p> <p>Inspection cover</p>  <p>TCJ sensor (Red)</p> <p>TC sensor (Black)</p>

No.	Part name	Procedure	Remarks
⑨	Heat exchanger	<p>1. Detachment</p> <ol style="list-style-type: none"> 1) Recover the refrigerant gas and then remove the refrigerant pipe of the indoor unit. 2) Perform 1 of ⑦ to remove the drain pan. 3) Remove the screw A (M4 x 0.4" (10mm), 7 pcs) and remove the Left side panel. 4) After performing 1) and 3) of 1 of ⑧ , withdraw the wire of the sensor from the bushing to the heat exchanger side. 5) Remove the screw B (M4 x 0.4" (10mm), 3 pcs) and remove the evaporator partition (back). 6) Remove the screw C (M4 x 0.4" (10mm), 4 pcs) and remove the evaporator partition (down). 7) Remove the screw D (M4 x 0.4" (10mm), 5 pcs) of the right side panel. 8) While holding the heat exchanger, remove the screw E (M4 x 0.4" (10mm), 2 pcs) and then take out the heat exchanger slowly.    <p>2. Attachment</p> <ol style="list-style-type: none"> 1) Attach the heat exchanger to the original position. Screw E (M4 x 0.4" (10mm), 2 pcs) 2) Fix the screw D on the right side panel as before. Screw D (M4 x 0.4" (10mm), 5 pcs) 3) Attach the evaporator partition (down) as before. Screw C (M4 x 0.4" (10mm), 4 pcs) 4) Attach the evaporator partition (back) as before. Screw B (M4 x 0.4" (10mm), 3 pcs) 5) Perform 1) , 3) and 4) of 2 of ⑧ to attach the sensor conector and electrical parts box cover . 6) Attach the Left side panel as before. Screw A (M4 x 0.4" (10mm), 7 pcs) 7) Perform 2 of ⑦ to attach the drain pan and bottom plate (drain side). 	 <p>Heat exchanger</p>  <p>Left side panel Screw A</p>  <p>Right side panel screw D</p>  <p>Screw E Bushing Screw B</p>  <p>Evaporator partition (back)</p>

No.	Part name	Procedure	Remarks
⑩	Sensor TA	<p>1. Detachment</p> <ol style="list-style-type: none"> 1) Perform 1 of ① and 1 of ⑤. 2) Remove the connector of the wires of TA sensor from the control P.C. board. 3) Pinch the lock of the TA sensor holder from the outside of the electrical parts box and push it into the inside of the electrical parts box. <p>2. Attachment</p> <ol style="list-style-type: none"> 1) Attach the TA sensor to the original position. 2) Attach the wires of TA sensor in the holder as before. 3) Attach the electrical parts box as before. 	 <p>TA sensor CN104</p>  <p>Electrical parts box TA sensor holder</p>
⑪	Reactor	<p>1. Detachment</p> <ol style="list-style-type: none"> 1) Perform 1 of ① and 1 of ⑤. 2) Remove the connector of the wires of the reactor from the fan control P.C. board. 3) Remove the screw fixing the reactor cover. Slide the reactor cover to the arrow direction and remove. 4) Remove the screw fixing the reactor. Remove the reactor from the reactor cover. <p>2. Attachment</p> <ol style="list-style-type: none"> 1) Attach the reactor to the reactor cover. 2) Attach the reactor cover as before. 3) Attach the wires of the reactor in the holder as before. 	 <p>CN511 CN510</p>  <p>Screw Reactor Reactor cover Screw</p>

NOTE

After assembling, check if that there is no abnormal sound, vibration, or puncture.
Check the exchange point when you have a problem.



[The way of repairing high static duct 8/10HP according to specification change]

1. Contents

- (1) Target production
- (2) Replacing noise filter PCB
- (3) Remove ferrite core which is set in earth lead of fan motor
- (4) Add ferrite core to motor lead

2. Required part

- (1) New noise filter PCB(MCC1551)
- (2) Tie band

3. Target production

3-1 Target model name .

Model name	Type	System	The production year
RAV-RM2241DTP-E/-TR	High static duct 8HP	LC	March, 2019 or
RAV-RM2801DTP-E/-TR	High static duct 10HP	LC	before

3-2 Target products .

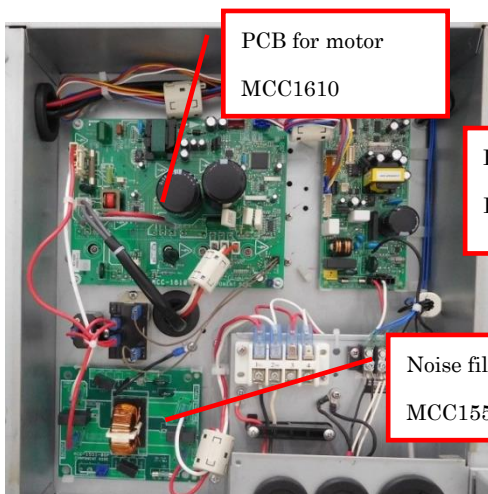
The target is a product which is installed ferrite core in motor earth lead.



Ferrite core attached in earth lead of motor

4. The contents of other repairing except motor exchanging

4-1 Summary of modification points

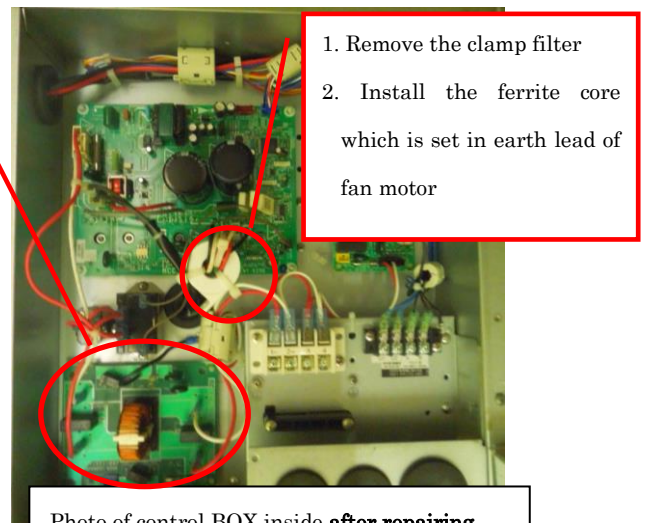


PCB for motor
MCC1610

Replace noise filter
PCB to he new one

Noise filter PCB
MCC1551

Photo of control BOX inside before repairing



1. Remove the clamp filter
2. Install the ferrite core which is set in earth lead of fan motor

Photo of control BOX inside after repairing



: Clamp filter



: Ferrite core



1. Remove the ferrite core
2. Tie the extra length of earth lead by tie band

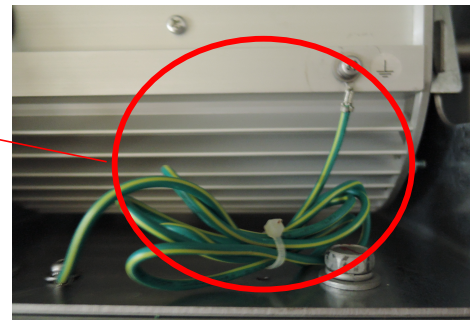


Photo of motor earth lead before repairing

Photo of motor earth lead after repairing

4-2 Replace to new noise filter PCB

[Step1]

Remove the earth screw from metal plate.

[Step2]

Remove four wiring (red and white) which are connected in PCB.

Notice : These wiring have lock mechanism. So when remove the wiring, it need to push the lock which is set side of connector.

[Step3]

Unlock the four PCB spacers and remove.

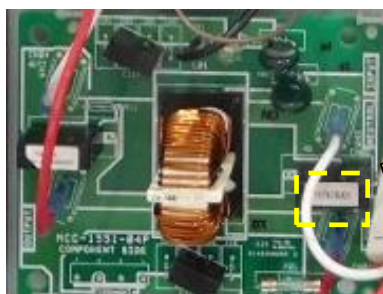
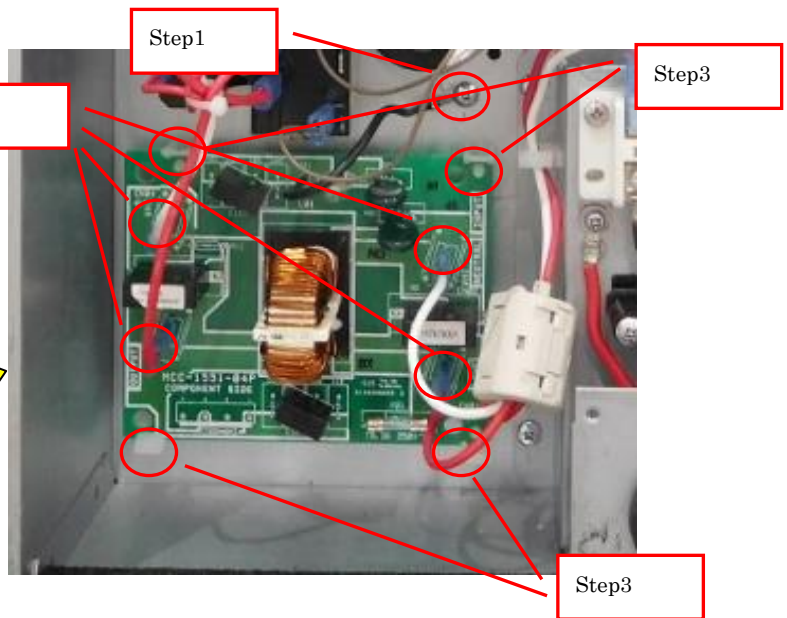
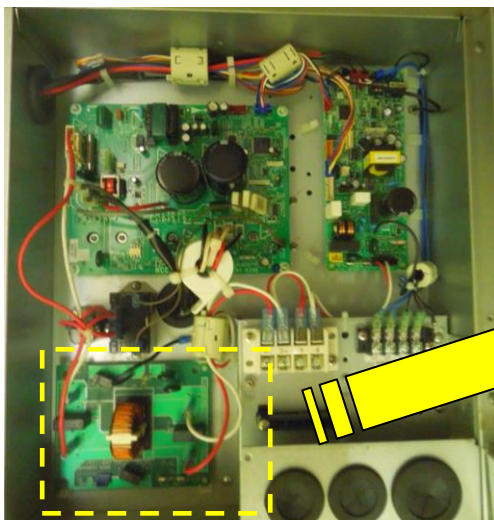
[Step4]

Replace the new noise filter PCB to PCB spacer and connect wiring and tighten screw same as step 1 to 3.

Notice : Before replace the new noise filter PCB, check the number which is described in label on PCB

Old PCB : 1117878001

Alternate new PCB: 1117878002



Old PCB	: 1117878001
Alternate new PCB	: 1117878002

4-3 Remove ferrite core which is set in earth lead of fan motor and bundle extra length

[Step1]

Remove the earth screw from metal plate.

[Step2]

Cut the tie band attached in ferrite core and remove a screw which is fixed the ferrite core.

[Step3]

Unwind the earth lead from ferrite core and take off ferrite core.

Notice : Keep the ferrite core. Because the ferrite core is used in motor lead later

[Step4]

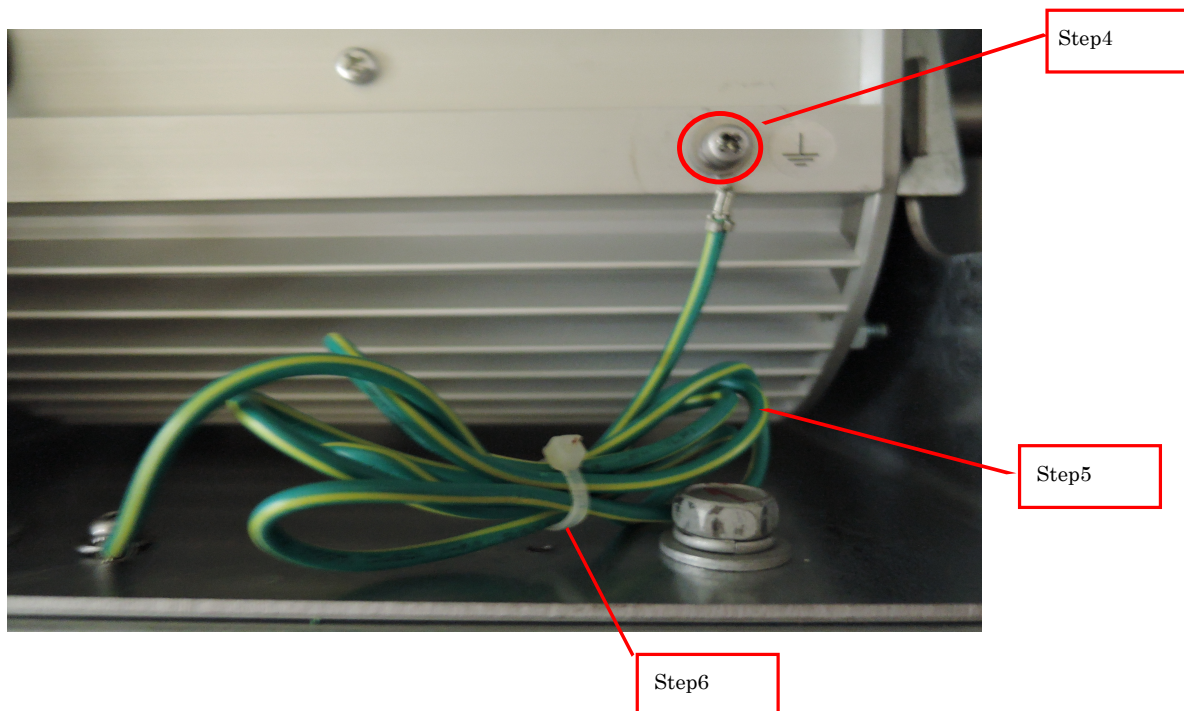
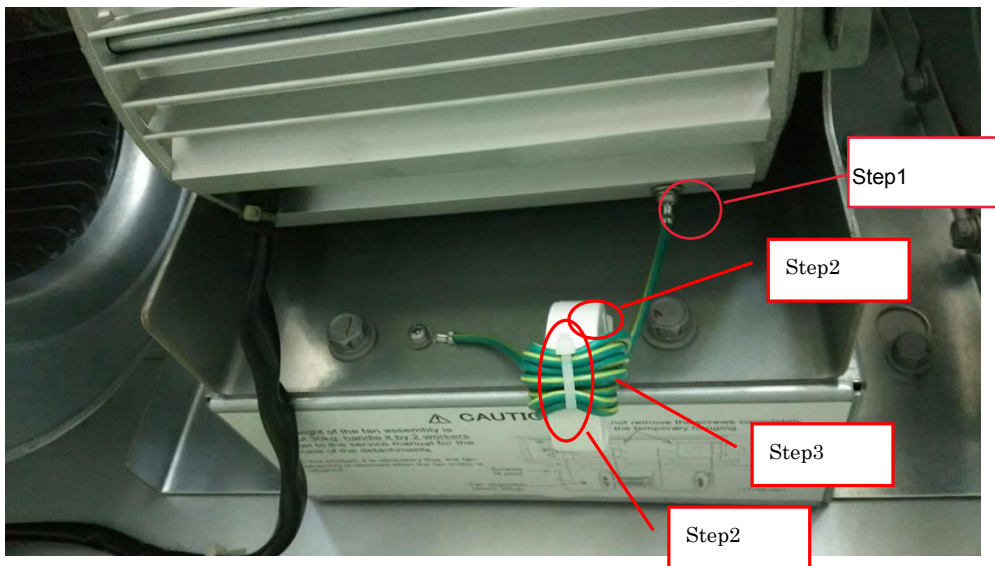
Tighten the earth screw.

[Step5]

Bundle up the extra earth lead by folding in half at four times.

[Step6]

Tie the extra earth lead by tie band.



4-4 Install the ferrite core of motor earth lead to motor lead

[Step1]

Remove the cramp filter from motor lead.

[Step2] Only motor lead has connect to PCB(MCC1610)

Remove the motor lead from PCB(MCC1610)

[Step3]

Through the motor lead in a hole of ferrite core at twice.

[Step4]

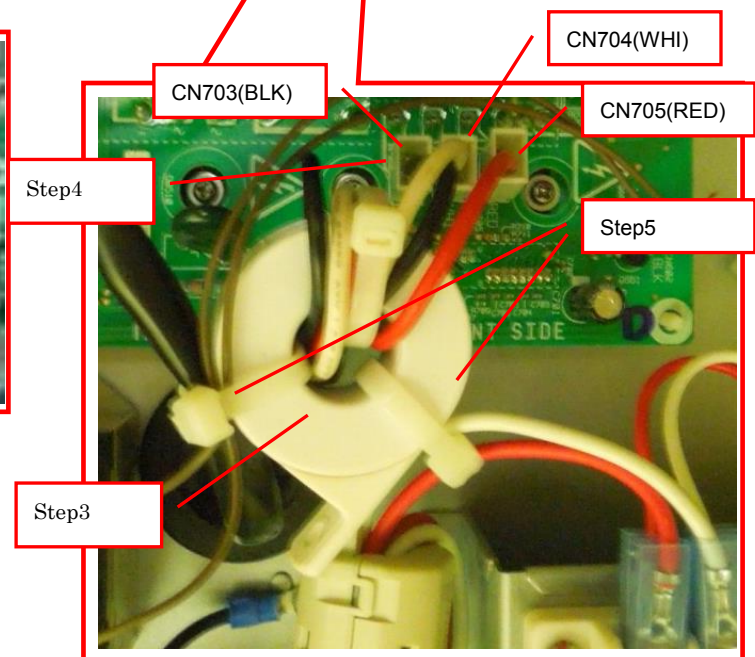
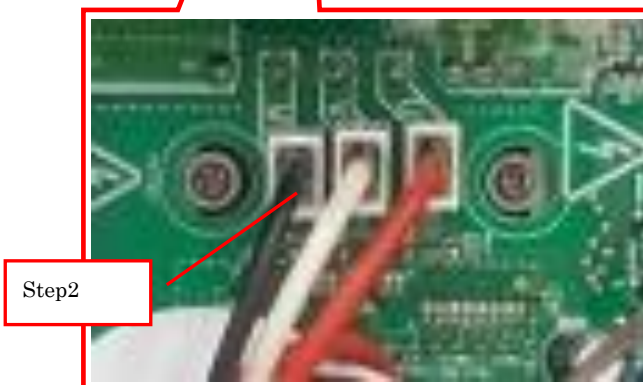
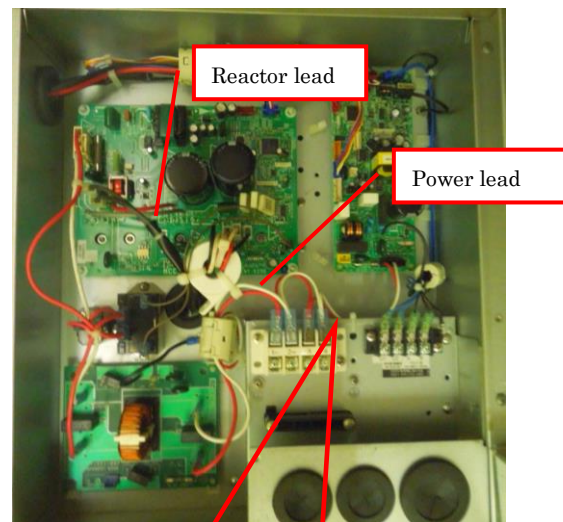
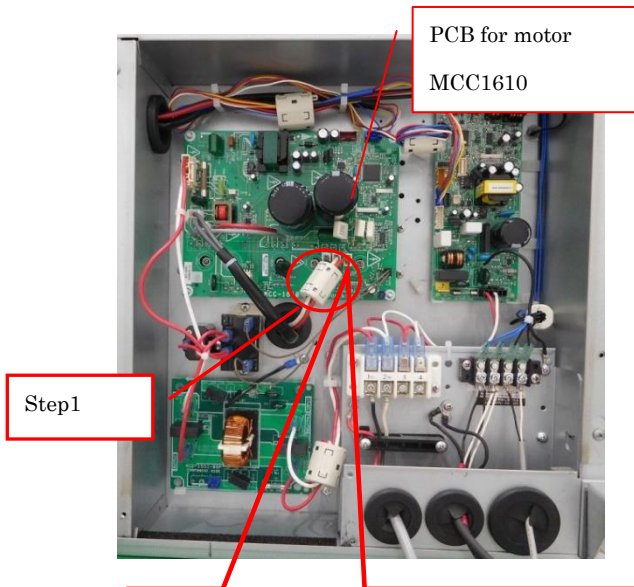
Connect the motor lead to PCB(MCC1610).

Notice : Check the connection between motor lead and connector on PCB invariably

Red motor lead = CN705(RED) White motor lead = CN704(WHI) Black lead = CN703(BLK)

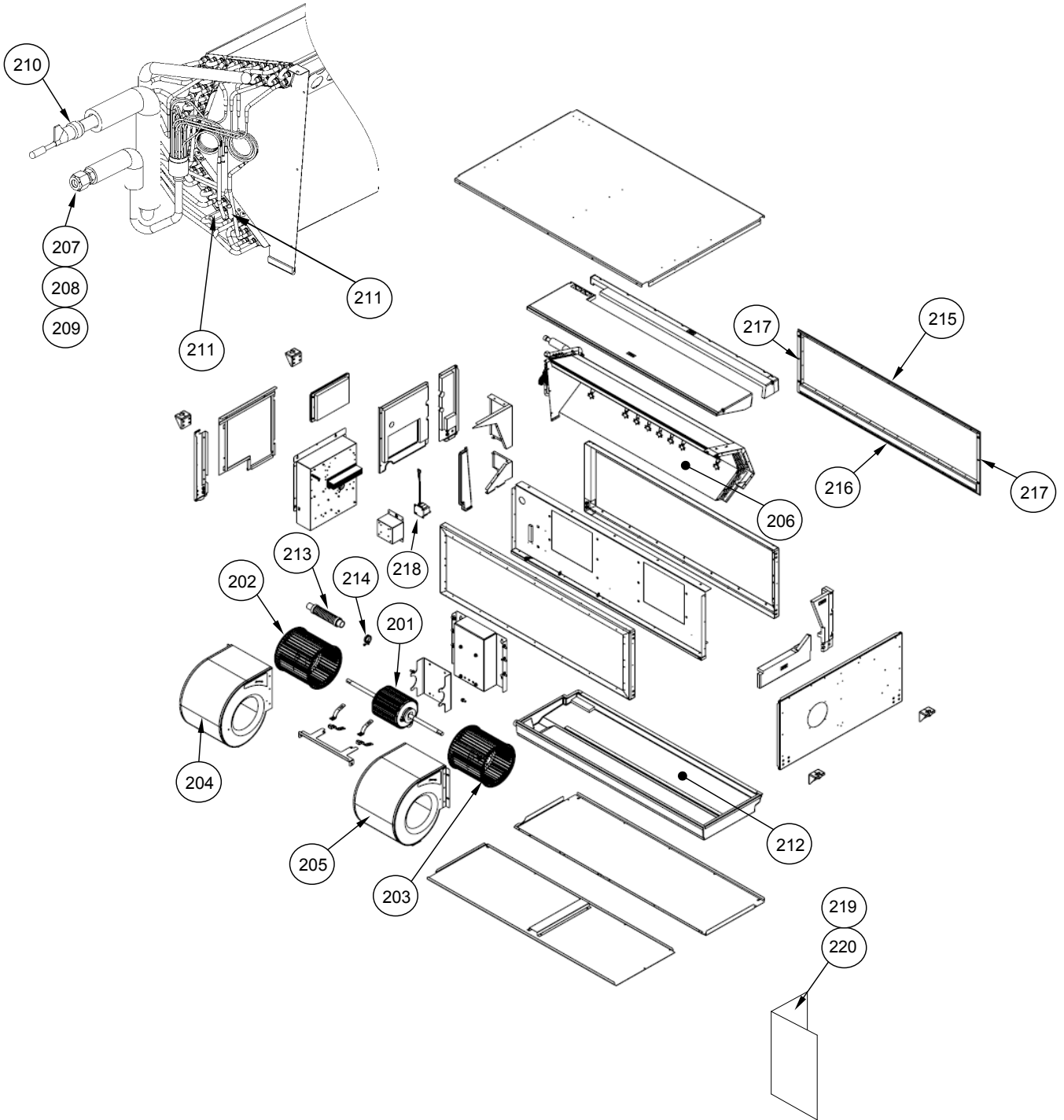
[Step5]

Fix the ferrite core to motor lead and reactor lead and white lead of power lead by using tie band.



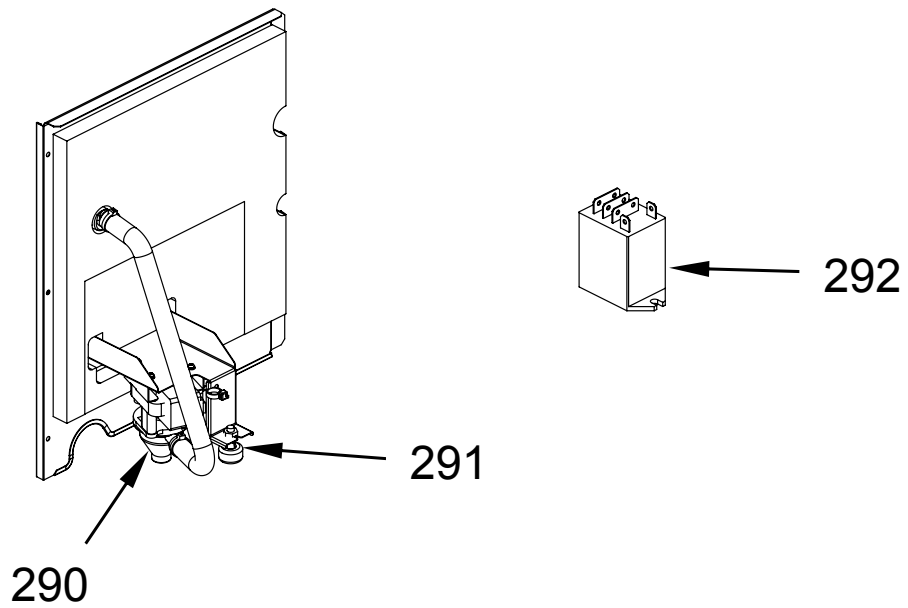
12. EXPLODED VIEWS AND PARTS LIST

12-1. RAV-RM2241DTP-E, RAV-RM2801DTP-E RAV-RM2241DTP-TR, RAV-RM2801DTP-TR



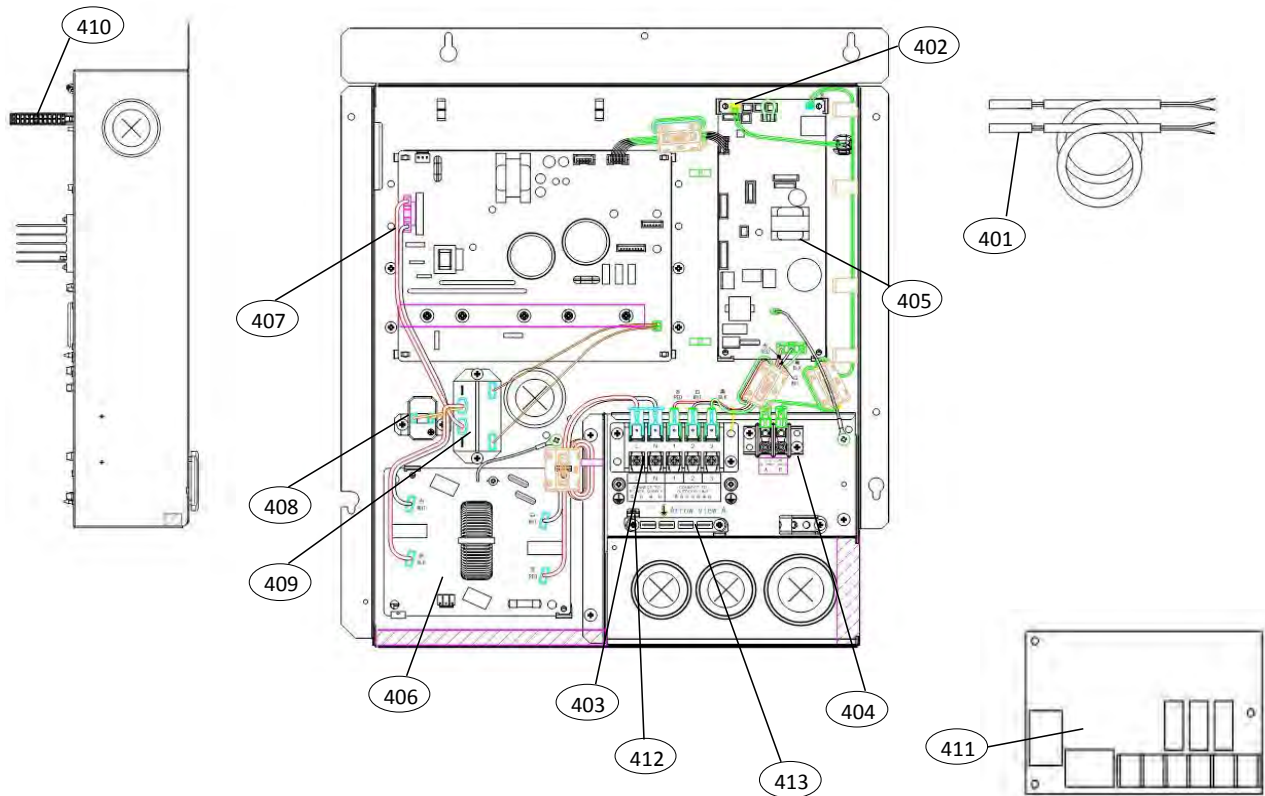
Location No.	Part No.	Description	Q'ty/Set RAV-			
			RM2241 DTP-E	RM2801 DTP-E	RM2241 DTP-TR	RM2801 DTP-TR
201	43T21463	MOTOR, FAN	1	1	1	1
202	43T20346	FAN, MULTI BLADE, LEFT	1	1	1	1
203	43T20345	FAN, MULTI BLADE, RIGHT	1	1	1	1
204	43T22347	CASE, FAN, LEFT	1	1	1	1
205	43T22346	CASE, FAN, RIGHT	1	1	1	1
206	43T44670	REFIGERATION CYCLE ASSY	1	1	1	1
207	43T47333	BONNET, 12.7 DIA	1	1	1	1
208	43T82344	SOCKET, LIQUID	1	1	1	1
209	43T97325	NUT, FLARE, 1/2 IN	1	1	1	1
210	43T82334	JOINT, PIPE, 22.2-28.6 DIA	1	1	1	1
211	43T19333	HOLDER, SENSOR	2	2	2	2
212	43T72326	PAN ASSY, DRAIN	1	1	1	1
213	43T70315	HOSE, DRAIN	1	1	1	1
214	43T83311	BAND, HOSE	1	1	1	1
215	43T39371	FLANGE, UPPER	1	1	1	1
216	43T39372	FLANGE, LOWER	1	1	1	1
217	43T39373	FLANGE ,SIDE	2	2	2	2
218	43T58332	REACTOR	1	1	1	1
219	43T85744	OWNER'S MANUAL	1	1	-	-
220	43T85745	OWNER'S MANUAL	-	-	1	1

12-2. Drain pump kit (TCB-DP40DPE)



Location No.	Part No.	Description	Q'ty/Set
			TCB-DP40DPE
290	43T77302	PUMP DRAIN	1
291	43T51313	FLOAT SWITCH	1
292	43T54325	RELAY	1

12-3. Electric Parts



Location No.	Parts No.	Description	Q'ty/Set		RAV-	
			RM2241 DTP-E	RM2801 DTP-E	RM2241 DTP-TR	RM2801 DTP-TR
401	43T50347	SENSOR ASSY, SERVICE	2	2	2	2
402	43T50476	SERVICE-SENSOR	1	1	1	1
403	43T60387	TERMINAL BLOCK:5P	1	1	1	1
404	43T60362	TERMINAL	1	1	1	1
405	43T6W611	ASM-PCB-SERV	1	-	1	-
405	43T6W612	ASM-PCB-SERV	-	1	-	1
406	43T6V670	ASM-PCB-SERV	1	1	1	1
407	43T6V671	ASM-PCB-SERV	1	1	1	1
408	43T50345	THERMISTOR, PTC	1	1	1	1
409	43T54324	POWER-RELAY	1	1	1	1
410	43T63356	HOLDER-TA	1	1	1	1
411	43459017	ASM-PCB(OP)	1	1	1	1
412	43T63348	CLAMP, DOWN	1	1	1	1
413	43T63349	CLAMP, UP	1	1	1	1

WARNINGS ON REFRIGERANT LEAKAGE

Check of Concentration Limit

The room in which the air conditioner is to be installed requires a design that in the event of refrigerant gas leaking out, its concentration will not exceed a set limit.

The refrigerant R32 or R410A which is used in the air conditioner is safe, without the toxicity or combustibility of ammonia, and is not restricted by laws to be imposed which protect the ozone layer. However, since it contains more than air, it poses the risk of suffocation if its concentration should rise excessively. Suffocation from leakage of R410A is almost non-existent. With the recent increase in the number of high concentration buildings, however, the installation of multi air conditioner systems is on the increase because of the need for effective use of floor space, individual control, energy conservation by curtailing heat and carrying power etc.

Most importantly, the multi air conditioner system is able to replenish a large amount of refrigerant compared with conventional individual air conditioners. If a single unit of the multi conditioner system is to be installed in a small room, select a suitable model and installation procedure so that if the refrigerant accidentally leaks out, its concentration does not reach the limit (and in the event of an emergency, measures can be made before injury can occur).

In a room where the concentration may exceed the limit, create an opening with adjacent rooms, or install mechanical ventilation combined with a gas leak detection device.

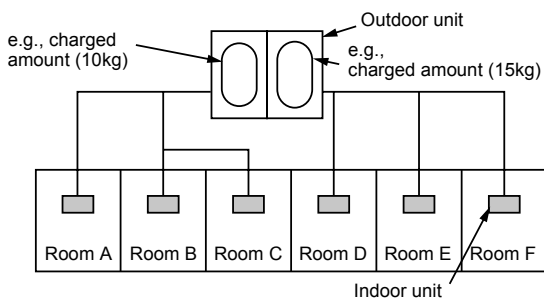
The concentration is as given below.

$$\frac{\text{Total amount of refrigerant (kg)}}{\text{Min. volume of the indoor unit installed room (m}^3\text{)}} \leq \text{Concentration limit (kg/m}^3\text{)}$$

The concentration limit of R32 or R410A which is used in multi air conditioners is 0.3kg/m^3 .

NOTE 1 :

If there are 2 or more refrigerating systems in a single refrigerating device, the amounts of refrigerant should be as charged in each independent device.



For the amount of charge in this example:

The possible amount of leaked refrigerant gas in rooms A, B and C is 10kg.

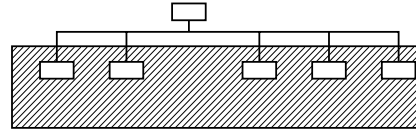
The possible amount of leaked refrigerant gas in rooms D, E and F is 15kg.

Important

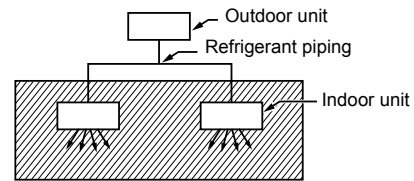
NOTE 2 :

The standards for minimum room volume are as follows.

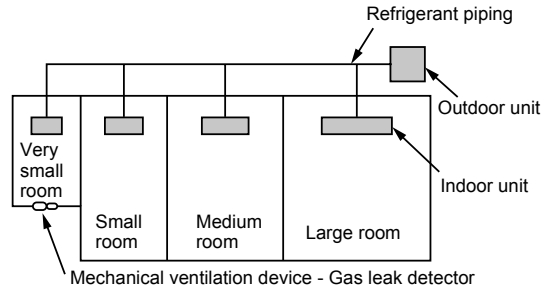
(1) No partition (shaded portion)



(2) When there is an effective opening with the adjacent room for ventilation of leaking refrigerant gas (opening without a door, or an opening 0.15% or larger than the respective floor spaces at the top or bottom of the door).



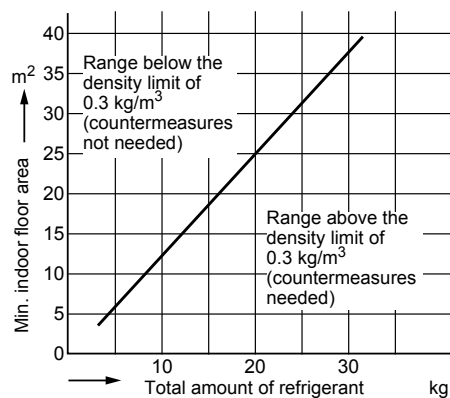
(3) If an indoor unit is installed in each partitioned room and the refrigerant piping is interconnected, the smallest room of course becomes the object. But when a mechanical ventilation is installed interlocked with a gas leakage detector in the smallest room where the density limit is exceeded, the volume of the next smallest room becomes the object.



NOTE 3 :

The minimum indoor floor area compared with the amount of refrigerant is roughly as follows:

(When the ceiling is 2.7m high)



Toshiba Carrier (Thailand) Co., Ltd.

**144/9 MOO 5, BANGKADI INDUSTRIAL PARK, TIVANON ROAD, TAMBOL BANGKADI,
AMPHUR MUANG, PATHUMTHANI 12000, THAILAND.**