

	Model Name		Indoor Unit	AR09TXHZAWKNEU	AR12TXHZAWKNEU	
			Outdoor Unit	AR09TXHZAWKXEU	AR12TXHZAWKXEU	
System	Mode		-	HEAT PUMP	HEAT PUMP	
	Performance	Capacity (Min/Std/Max)	Cooling	kW	0.9 / 2.5 / 3.35	0.9 / 3.5 / 4.0
				Btu/h	3,071 / 8,530 / 11,431	3,071 / 11,942 / 13,649
		Heating		kW	0.9 / 3.2 / 4.5	0.9 / 3.5 / 5.0
				Btu/h	3,071 / 10,919 / 15,355	3,071 / 11,942 / 17,061
	Power	Power Input (Min/Std/Max)	Cooling	kW	0.21 / 0.70 / 1.03	0.21 / 1.22 / 1.40
			Heating	kW	0.20 / 0.84 / 1.27	0.20 / 0.94 / 1.45
		Current Input (Min/Std/Max)	Cooling	A	1.3 / 3.6 / 4.7	1.3 / 5.6 / 6.3
			Heating	A	1.4 / 4.0 / 5.6	1.4 / 4.5 / 6.4
	Efficiency	EER	Cooling	-	3.57	2.87
		COP	Heating	-	3.81	3.72
		SEER (Cooling Energy Grade)		-	6.70 (A++)	6.50 (A++)
		SCOP (Heating Energy Grade)		-	4.00 (A+)	4.00 (A+)
		Pdesignh		kW	2.1	2.2
	Piping Connections	Liquid Pipe		Type	Flare connection	Flare connection
				Φ, mm (inch)	6.35 (1/4)	6.35 (1/4)
		Gas Pipe		Type	Flare connection	Flare connection
				Φ, mm (inch)	9.52 (3/8)	9.52 (3/8)
		Heat Insulation		-	Both liquid and gas pipes	Both liquid and gas pipes
Installation Limitation		Max. Length (Outdoor to indoor)		m	15	15
	Max. Height (Between ID/OD)		m	8	8	
Wiring connections	Power Source Wire		mm <sup>2</sup>	1.5	1.5	
	Communication	Min.	mm <sup>2</sup>	0.75	0.75	
		Remark	-	F1, F2	F1, F2	
Refrigerant	Type		-	R32	R32	
	Factory Charging		kg	0.7	0.7	
			tCO <sub>2</sub> e	0.47	0.47	
Indoor Unit	Power Supply		Ø, #, V, Hz	1,2,220-240,50	1,2,220-240,50	
	Heat Exchanger	Type		-	F&T	F&T
		Material	Fin	-	Al	Al
			Tube	-	Cu	Cu
	Fin Treatment		-	Green Hydrophile	Green Hydrophile	
	Fan	Type		-	Cross Flow	Cross Flow
		Quantity		EA	1	1
		Air Flow Rate	Cooling (T/H/M/L)	m <sup>3</sup> /min	10.3 / 9.8 / 9.3 / 8.4	10.7 / 10.3 / 9.3 / 8.4
				l/s	172 / 163 / 155 / 140	178 / 172 / 155 / 140
		Heating (T/H/M/L)	m <sup>3</sup> /min	11.2 / 10.7 / 10.3 / 9.3	11.7 / 11.2 / 10.3 / 9.3	
			l/s	187 / 178 / 172 / 155	195 / 187 / 172 / 155	
	Fan Motor	Type		-	BLDC	BLDC
		Output		W x n	27 x 1	27 x 1
	Drain	Drain Pipe		Φ, mm	Φ16.3, 550mm	Φ16.3, 550mm
	Sound	Sound Pressure Level	H / Silent	dB(A)	37 / 19	38 / 19
		Sound Power Level		dB(A)	54	56
	External Dimension	Net Weight		kg	9.1	9.1
		Shipping Weight		kg	11.1	11.1
		Net Dimensions (WxHxD)		mm	820 x 299 x 215	820 x 299 x 215
Shipping Dimensions (WxHxD)		mm	880 x 290 x 375	880 x 290 x 375		
Casing	Material		-	HIPS	HIPS	
Control System	Infrared remote control		-	Included	Included	
	Wired remote control		-	MWR-WE13N MWR-WG00JN MWR-WG00KN MWR-SH11N	MWR-WE13N MWR-WG00JN MWR-WG00KN MWR-SH11N	
Drain Pump	Drain Pump		-	-	-	
	Max. lifting Height / Displacement		mm / Liter/h	-	-	
Additional Accessories	Drain Pump	External Model	-	-	-	
		Internal Model	-	-	-	
	Max. lifting Height / Displacement		mm / Liter/h	-	-	
				-	-	
	Easy Filter Plus		-	Removable / Washable	Removable / Washable	
	Tri-Care Filter		-	-	-	
Motion Detect Sensor		-	-	-		
Wi-Fi		-	-	-		

Outdoor Unit	Model Name		Indoor Unit	AR09TXHZAWKNEU	AR12TXHZAWKNEU	
			Outdoor Unit	AR09TXHZAWKXEU	AR12TXHZAWKXEU	
	Power Supply			Ø, #, V, Hz	1, 2, 220-240, 50	1, 2, 220-240, 50
	Heat Exchanger	Type		-	F&T	F&T
		Material	Fin	-	Al	Al
			Tube	-	Cu	Cu
		Fin Treatment		-	Anti-Corrosion	Anti-Corrosion
	Compressor	Model Name		-	UB1AR5090FJ6	UB1AR5090FJ6
		Type		-	BLDC ROTARY	BLDC ROTARY
		Output		kW	2.8	2.8
		Oil	Type	-	POE	POE
	Initial charge		cc	260	260	
	Fan	Type		-	Propeller	Propeller
		Discharge direction		-	Front	Front
		Quantity		EA	1	1
		Air Flow Rate		m <sup>3</sup> /min	28	28
	l/s			467	467	
	Fan Motor	Type		-	BLDC	BLDC
		Output		W x n	40 x 1	40 x 1
	Sound	Sound Pressure Level	Cooling	dB(A)	46	47
			Sound Power Level		dB(A)	63
	External Dimension	Net Weight		kg	22.6	22.6
		Shipping Weight		kg	24.3	24.3
Net Dimensions (WxHxD)		mm	660 x 475 x 242	660 x 475 x 242		
Shipping Dimensions (WxHxD)		mm	778 x 550 x 331	778 x 550 x 331		
Casing	Material	Body	-	EGI Steel Plate / PP	EGI Steel Plate / PP	
		Cooling		°C	-10 ~ 46	-10 ~ 46
Operating Temp. Range	Heating		°C	-15 ~ 24	-15 ~ 24	

## NOTE

- Specifications may be subject to change without prior notice.
- 1) Nominal cooling capacities are based on;  
Indoor temperature: 27°C DB, 19°C WB  
Outdoor temperature: 35°C DB, 24°C WB, Equivalent refrigerant piping: 5m, Level differences: 0 m
  - 2) Nominal heating capacities are based on;  
Indoor temperature: 20°C DB, 15°C WB  
Outdoor temperature: 7°C DB, 6°C WB, Equivalent refrigerant piping: 5m, Level differences: 0 m
  - 3) Sound pressure was acquired in an anechoic room. Thus actual noise level may be different depending on the installation conditions.
  - 4) These products contain R32 which is fluorinated greenhouse gas.

# 1. Specification

## AR4500

	Model Name	Indoor Unit		AR18TXHZAWKNEU	AR24TXHZAWKNEU	
		Outdoor Unit		AR18TXHZAWKXEU	AR24TXHZAWKXEU	
System	Mode			HEAT PUMP	HEAT PUMP	
	Performance	Capacity (Min/Std/Max)	Cooling	kW	1.6 / 5.0 / 6.7	1.4 / 6.5 / 7.6
				Btu/h	5,459 / 17,061 / 22,861	4,777 / 22,179 / 25,932
		Heating		kW	1.3 / 6.0 / 8.0	1.2 / 7.4 / 9.4
				Btu/h	4,436 / 20,473 / 27,297	4,095 / 25,250 / 32,074
	Power	Power Input (Min/Std/Max)	Cooling	kW	0.32 / 1.39 / 2.18	0.3 / 1.95 / 2.6
			Heating	kW	0.27 / 1.7 / 2.5	0.27 / 2.35 / 3.3
		Current Input (Min/Std/Max)	Cooling	A	2.0 / 6.4 / 10.0	2.0 / 8.8 / 11.5
			Heating	A	1.7 / 7.8 / 11.5	1.7 / 10.5 / 14.5
	Efficiency	EER	Cooling	-	3.6	3.33
		COP	Heating	-	3.53	3.15
		SEER (Cooling Energy Grade)		-	6.80 (A++)	6.40 (A++)
		SCOP (Heating Energy Grade)		-	3.80 (A)	3.80 (A)
		Pdesignh		kW	3.8	4.1
	Piping Connections	Liquid Pipe		Type	Flare connection	Flare connection
				Φ, mm (inch)	6.35 (1/4)	6.35 (1/4)
		Gas Pipe		Type	Flare connection	Flare connection
				Φ, mm (inch)	12.7 (1/2)	15.88 (5/8)
		Heat Insulation		-	Both liquid and gas pipes	Both liquid and gas pipes
		Installation Limitation	Max. Length (Outdoor to indoor)	m	30	30
Max. Height (Between ID/OD)	m			15	15	
	Wiring connections	Power Source Wire		mm <sup>2</sup>	2.5	2.5
Communication		Min.	mm <sup>2</sup>	0.75	0.75	
		Remark	-	F1, F2	F1, F2	
Refrigerant	Type		-	R32	R32	
	Factory Charging		kg	1.3	1.15	
			tCO <sub>2</sub> e	0.88	0.78	
Indoor Unit	Power Supply		Ø, #, V, Hz	1,2,220-240,50	1,2,220-240,50	
	Heat Exchanger	Type		-	F&T	F&T
		Material	Fin	-	Al	Al
			Tube	-	Cu	Cu
	Fin Treatment		-	Green Hydrophile	Green Hydrophile	
	Fan	Type		-	Cross Flow	Cross Flow
		Quantity		EA	1	1
		Air Flow Rate	Cooling (T/H/M/L)	m <sup>3</sup> /min	16.5 / 15.8 / 14.4 / 13	17.2 / 15.8 / 14.4 / 13
				l/s	275 / 263 / 240 / 216.7	286.7 / 263 / 240 / 216.7
		Heating (T/H/M/L)	m <sup>3</sup> /min	16.5 / 15.8 / 14.4 / 13	17.9 / 16.5 / 15.1 / 13.7	
			l/s	275 / 263 / 240 / 216.7	298.3 / 275 / 251.7 / 228.3	
	Fan Motor	Type		-	BLDC	BLDC
		Output		W x n	27 x 1	27 x 1
	Drain	Drain Pipe		Φ, mm	Φ16.3, 550mm	Φ16.3, 550mm
	Sound	Sound Pressure Level	H / Silent	dB(A)	41 / 25	45 / 26
				Sound Power Level	dB(A)	58
	External Dimension	Net Weight		kg	11.5	11.6
		Shipping Weight		kg	13.7	13.8
		Net Dimensions (WxHxD)		mm	1,055 x 299 x 215	1,055 x 299 x 215
		Shipping Dimensions (WxHxD)		mm	1,115 x 290 x 375	1,115 x 290 x 375
	Casing	Material		-	HIPS	HIPS
		Infrared remote control		-	Included	Included
	Control System	Wired remote control		-	MWR-WE13N MWR-WG00JN MWR-WG00KN MWR-SH11N	MWR-WE13N MWR-WG00JN MWR-WG00KN MWR-SH11N
		Drain Pump		-	-	-
	Additional Accessories	Max. lifting Height / Displacement		mm / Liter/h	-	-
		Drain Pump	External Model		-	-
			Internal Model		-	-
			Max. lifting Height / Displacement	mm / Liter/h	-	-
		Easy Filter Plus		-	Removable / Washable	Removable / Washable
Tri-Care Filter		-	-	-		
Motion Detect Sensor		-	-	-		
Wi-Fi		-	-	-		

# 1. Specification

## AR4500

	Indoor Unit		AR18TXHZAWKNEU	AR24TXHZAWKNEU	
	Outdoor Unit		AR18TXHZAWKXEU	AR24TXHZAWKXEU	
Outdoor Unit	Power Supply		Ø, #, V, Hz	1, 2, 220-240, 50	
	Heat Exchanger	Type		-	F&T
		Material	Fin	-	Al
			Tube	-	Cu
		Fin Treatment		-	Anti-Corrosion
	Compressor	Model Name		-	UB9TK3150FE4
		Type		-	BLDC ROTARY
		Output		kW	4.69
		Oil	Type	-	POE
	Initial charge		cc	500	
	Fan	Type		-	Propeller
		Discharge direction		-	Front
		Quantity		EA	1
		Air Flow Rate		m <sup>3</sup> /min	50
l/s	833				
Fan Motor	Type		-	BLDC	
	Output		W x n	40 x 1	
Sound	Sound Pressure Level	Cooling	dB(A)	57	
		Sound Power Level		dB(A)	65
External Dimension	Net Weight		kg	39.7	
	Shipping Weight		kg	42.7	
	Net Dimensions (WxHxD)		mm	880 x 638 x 310	
	Shipping Dimensions (WxHxD)		mm	1,023 x 724 x 413	
Casing	Material	Body	-	EGI Steel Plate / PP	
		Cooling		°C	-10 ~ 46
Operating Temp. Range	Heating		°C	-15 ~ 24	

### NOTE

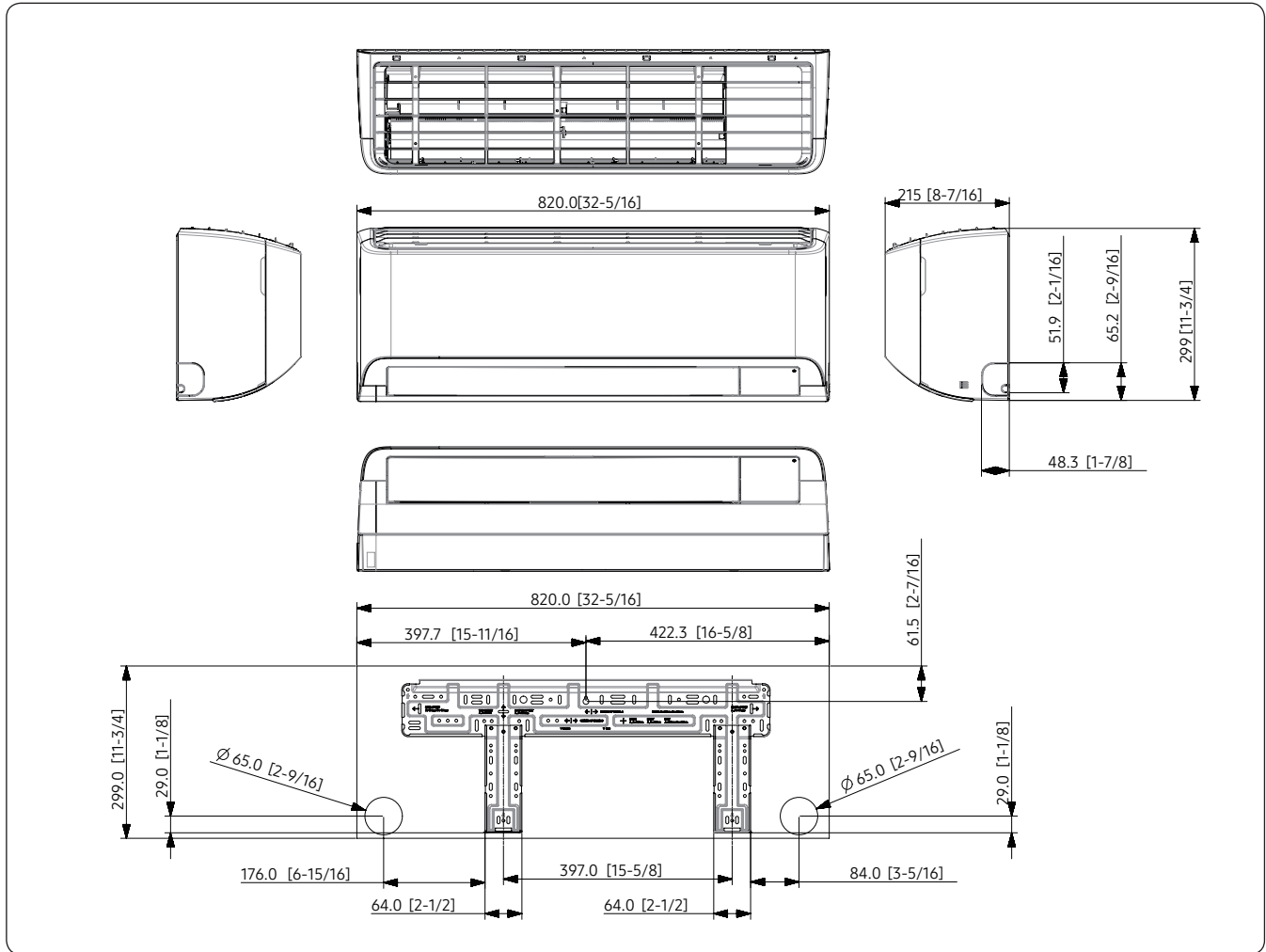
- Specifications may be subject to change without prior notice.
- 1) Nominal cooling capacities are based on;  
Indoor temperature: 27°C DB, 19°C WB  
Outdoor temperature: 35°C DB, 24°C WB, Equivalent refrigerant piping: 5m, Level differences: 0 m
  - 2) Nominal heating capacities are based on;  
Indoor temperature: 20°C DB, 15°C WB  
Outdoor temperature: 7°C DB, 6°C WB, Equivalent refrigerant piping: 5m, Level differences: 0 m
  - 3) Sound pressure was acquired in an anechoic room. Thus actual noise level may be different depending on the installation conditions.
  - 4) These products contain R32 which is fluorinated greenhouse gas.

# 3. Dimensional Drawing

## Indoor units

AR4500 : AR09TXHZAWKNEU, AR12TXHZAWKNEU  
 AR7500 : AR09TXFCAWKNEU, AR12TXFCAWKNEU  
 AR5500 : AR09TXFYAWKNEU, AR12TXFYAWKNEU

Unit: mm (inches)

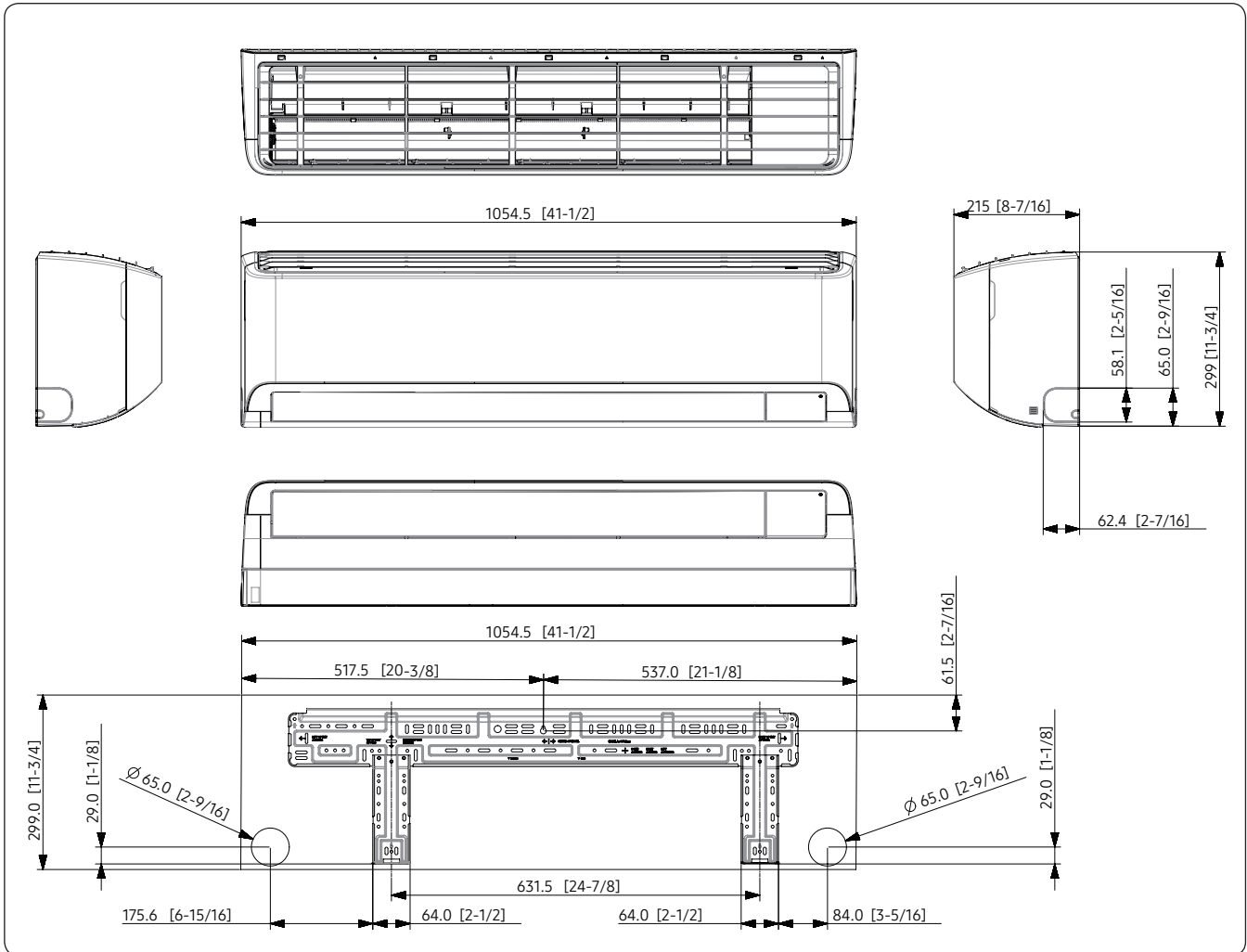


# 3. Dimensional Drawing

## Indoor units

AR4500 : AR18TXHZAWKNEU, AR24TXHZAWKNEU  
 AR7500 : AR18TXFCAWKNEU, AR24TXFCAWKNEU  
 AR5500 : AR18TXFYAWKNEU, AR24TXFYAWKNEU  
 AR9500 : AR18TXEAAWKNEU, AR24TXEAAWKNEU

Unit: mm (inches)

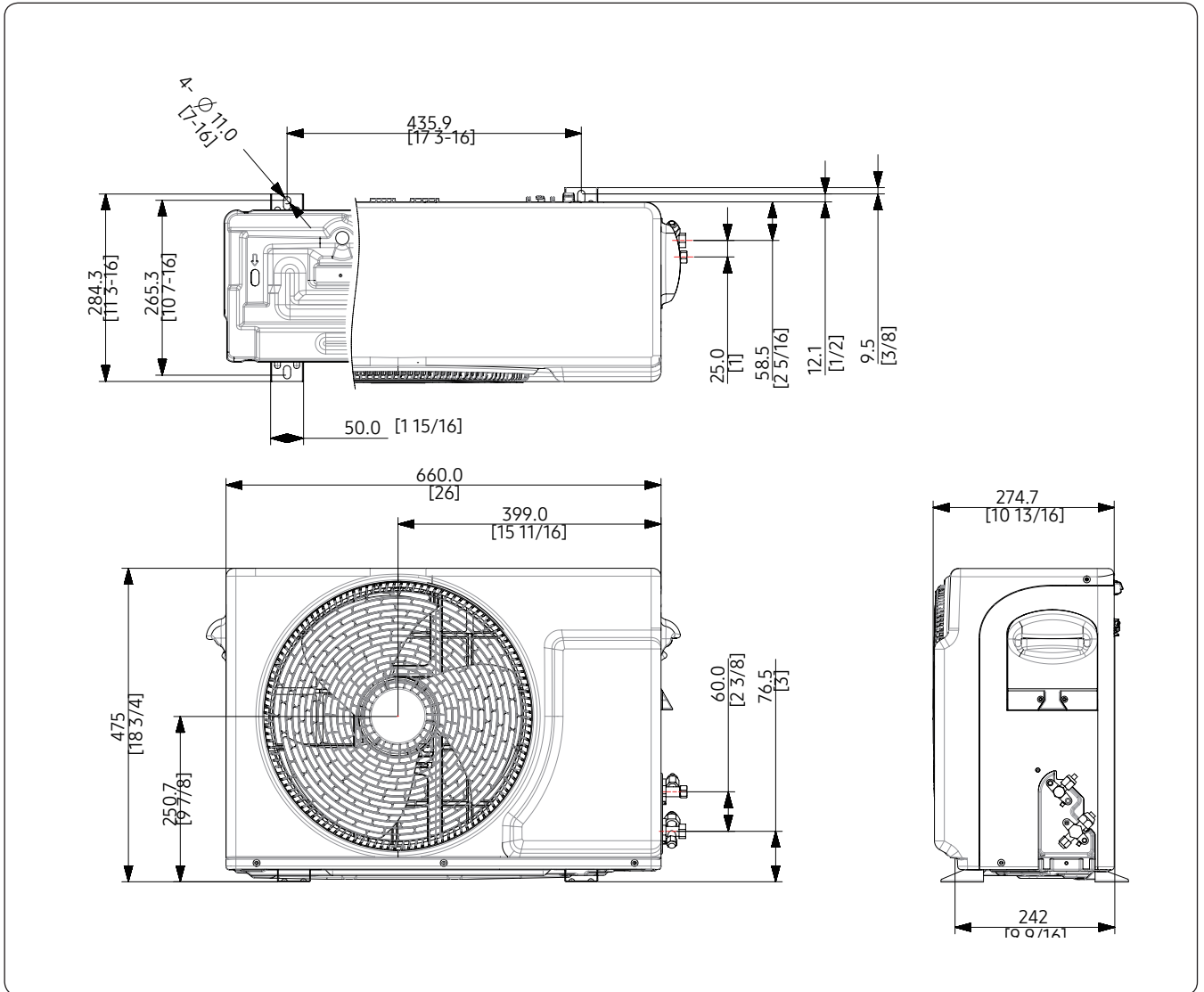


# 3. Dimensional Drawing

## Outdoor units

AR4500 : AR09TXHZAWKXEU, AR12TXHZAWKXEU  
 AR7500 : AR09TXFCAWKXEU, AR12TXFCAWKXEU  
 AR5500 : AR09TXFYAWKXEU, AR12TXFYAWKXEU

Unit: mm (inches)

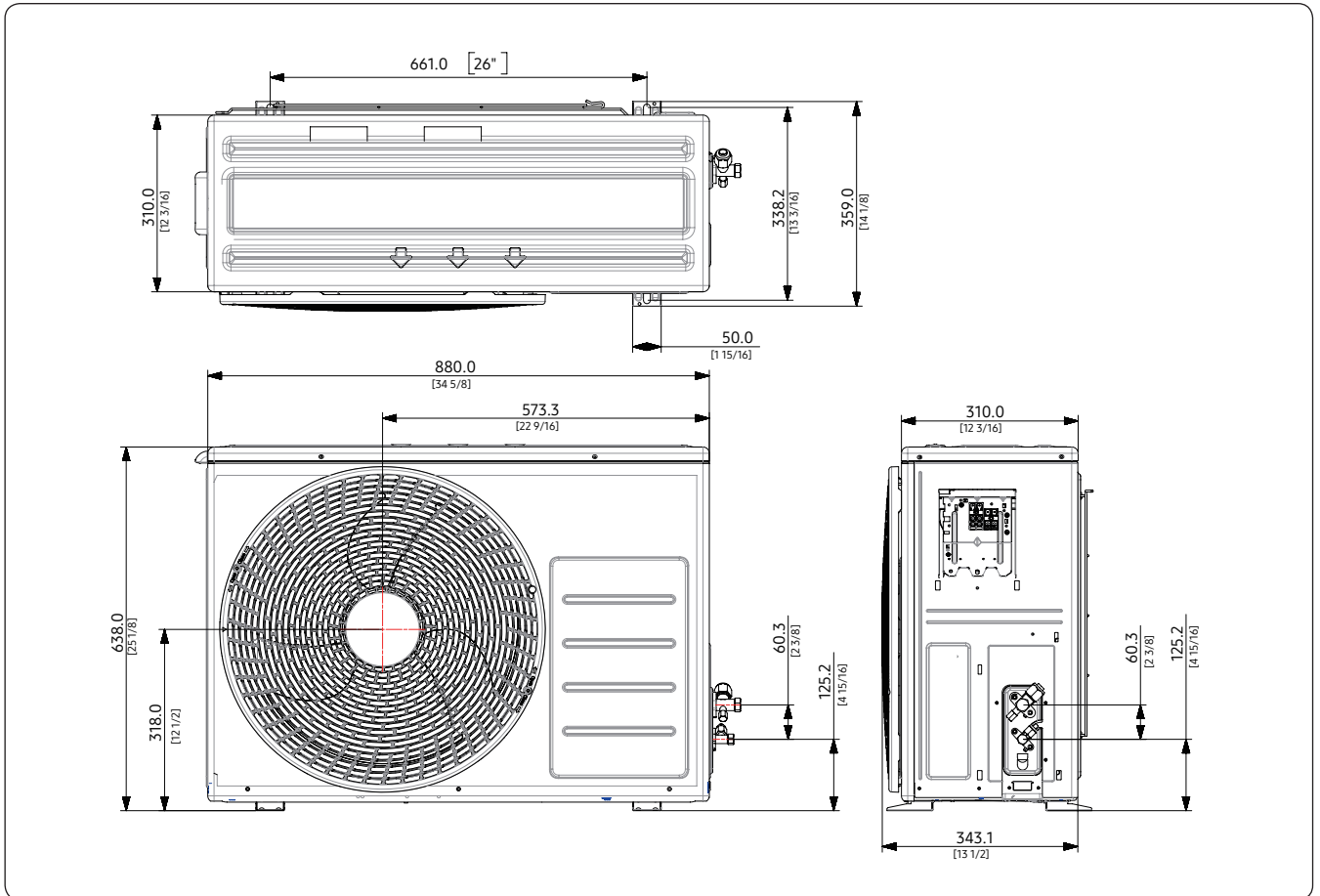


# 3. Dimensional Drawing

## Outdoor units

AR4500 : AR18TXHZAWKXEU, AR24TXHZAWKXEU  
AR7500 : AR18TXFCAWKXEU, AR24TXFCAWKXEU  
AR5500 : AR18TXFYAWKXEU, AR24TXFYAWKXEU  
AR9500 : AR18TXEAAWKXEU, AR24TXEAAWKXEU

Unit: mm (inches)



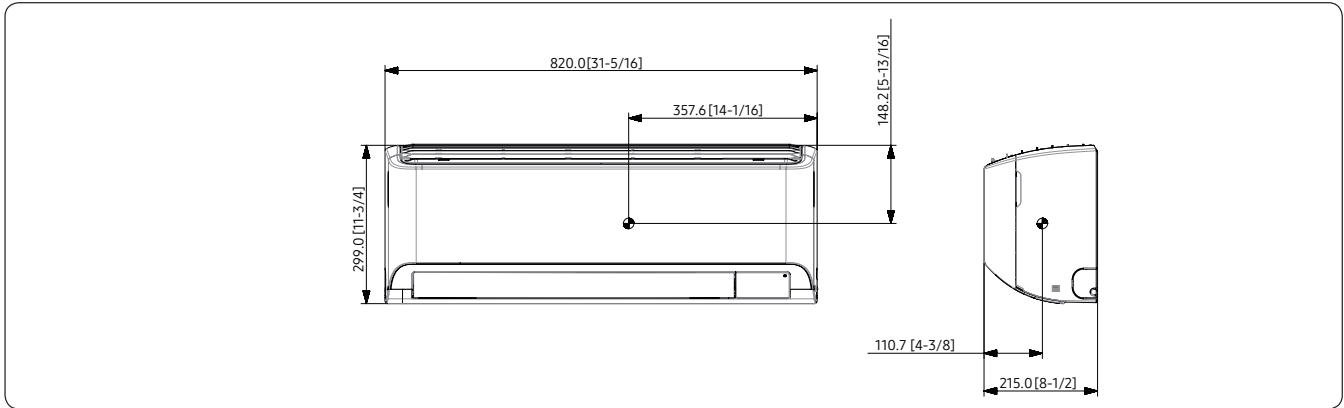


# 4. Center of Gravity

## Indoor units

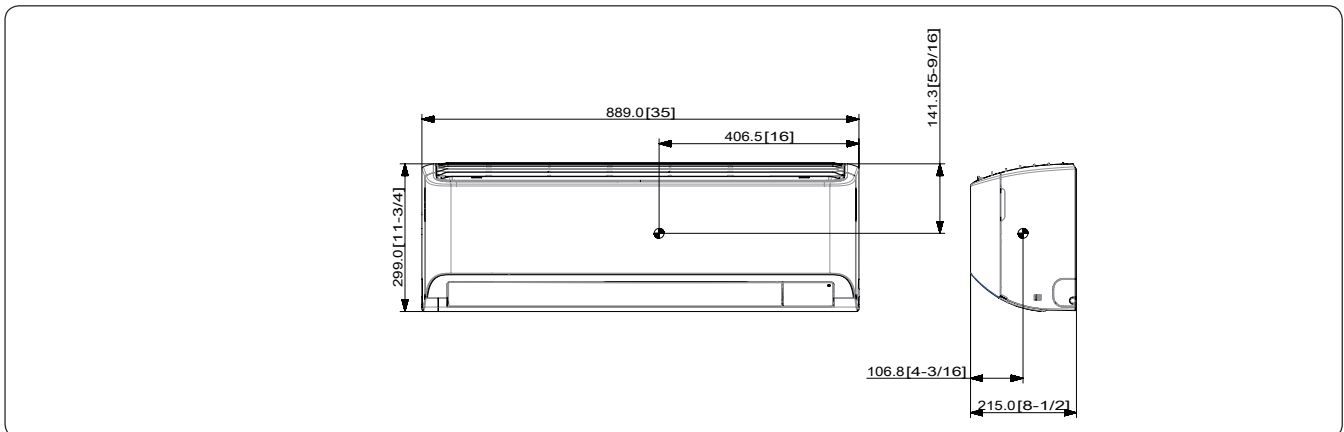
AR4500 : AR09TXHZAWKNEU, AR12TXHZAWKNEU  
 AR7500 : AR09TXFCAWKNEU, AR12TXFCAWKNEU  
 AR5500 : AR09TXFYAWKNEU, AR12TXFYAWKNEU

Unit: mm (inches)



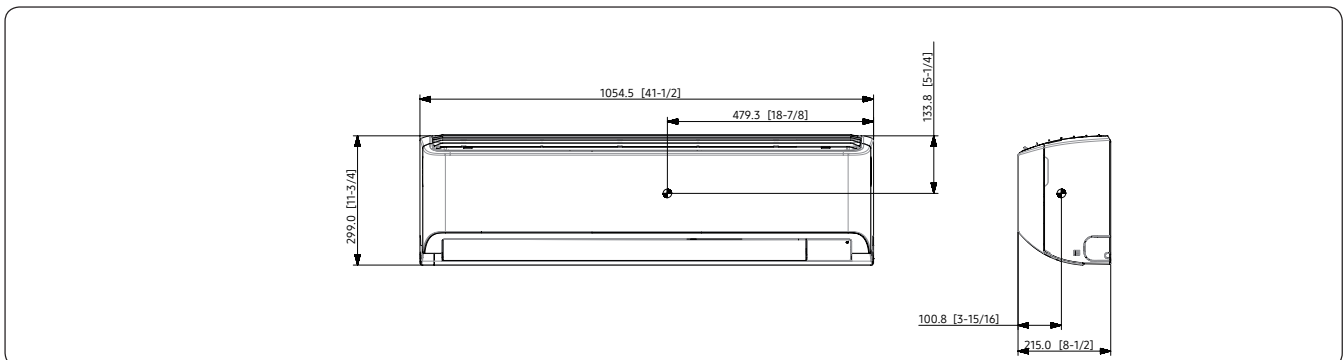
AR9500 : AR09TXEAAWKNEU, AR12TXEAAWKNEU, AR09TXCAAWKNEU, AR12TXCAAWKNEU

Unit: mm (inches)



AR4500 : AR18TXHZAWKNEU, AR24TXHZAWKNEU  
 AR7500 : AR18TXFCAWKNEU, AR24TXFCAWKNEU  
 AR5500 : AR18TXFYAWKNEU, AR24TXFYAWKNEU  
 AR9500 : AR18TXEAAWKNEU, AR24TXEAAWKNEU

Unit: mm (inches)

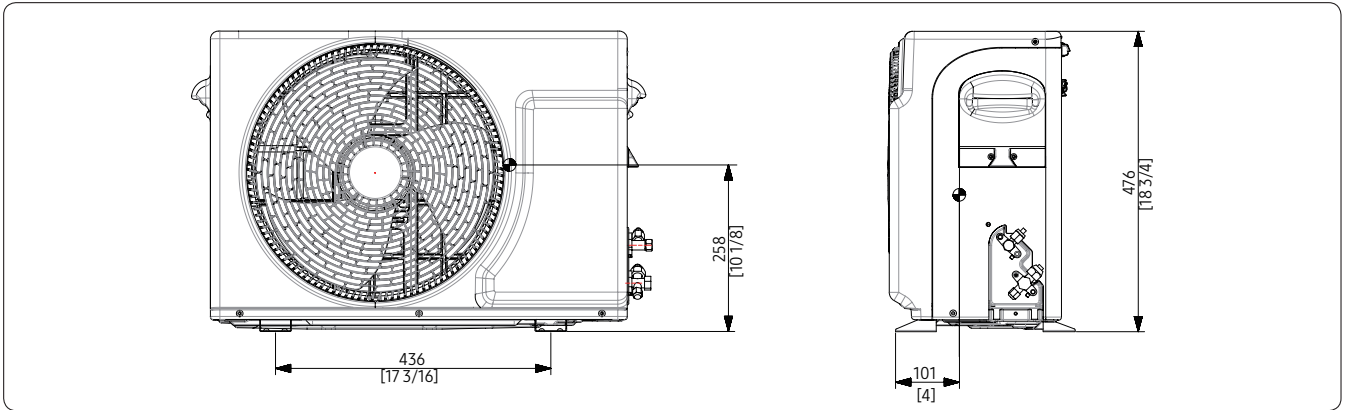


# 4. Center of Gravity

## Outdoor units

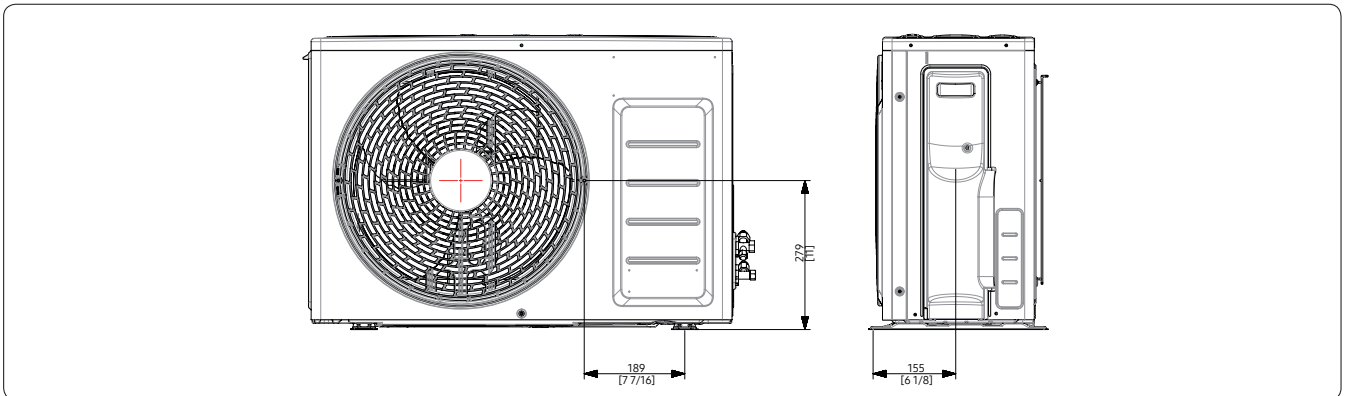
AR4500 : AR09TXHZAWKXEU, AR12TXHZAWKXEU  
 AR7500 : AR09TXFCAWKXEU, AR12TXFCAWKXEU  
 AR5500 : AR09TXFYAWKXEU, AR12TXFYAWKXEU

Unit: mm (inches)



AR9500 : AR09TXEAAWKXEU, AR12TXEAAWKXEU, AR09TXCAAWKXEU, AR12TXCAAWKXEU

Unit: mm (inches)



AR4500 : AR18TXHZAWKXEU, AR24TXHZAWKXEU  
 AR7500 : AR18TXFCAWKXEU, AR24TXFCAWKXEU  
 AR5500 : AR18TXFYAWKXEU, AR24TXFYAWKXEU  
 AR9500 : AR18TXEAAWKXEU, AR24TXEAAWKXEU

Unit: mm (inches)

